

# LPG SYSTEM PARTS



E-CONTROLS

## E-CONTROLS



Used in closed loop system  
 Replaced by REF 165TA8009  
**REF 143TA7724**



Repair kit for REF 143TA7724  
**REF 143TA7726**



Used in closed loop system  
**REF 165TA8009**



Repair kit for REF 165TA8009  
**REF 165TA8011**



Used in closed loop system  
 Replaced by REF 165TA8010  
**REF 143TA7725**



Repair kit for REF 143TA7725  
**REF 143TA7888**



Used in open loop system  
**REF 165TA8010**



Repair kit for REF 165TA8010  
**REF 165TA8012**

# LPG SYSTEM PARTS



E-CONTROLS

## E-CONTROLS



Mixer LPG Model E100M LP / TIER-4  
Used on Hyundai  
REF [144TA3727](#)



Mixer LPG Model E100M LP / non-cert  
Used on Hyundai  
REF [144TA3728](#)



Diaphragm Model E100M  
REF [144TA3730](#)



Mixer LPG Model E330  
REF [144TA4187](#)



Diaphragm for mixer Model E330  
REF [144TA4186](#)



EPR regulator small  
REF [144TA4076](#)



Fitting  
REF [165TA8013](#)



Fitting  
REF [165TA8014](#)

# LPG SYSTEM PARTS



E-CONTROLS

## E-CONTROLS



5/8" water, 70°  
REF [143TA7640](#)



5/8" water, 180°  
REF [143TA7643](#)



5/8" water, 90°  
REF [165TA8015](#)



3/4" vapour, 90°  
REF [165TA8016](#)



3/4" vapour, 70°  
REF [165TA8017](#)



EPR converter  
REF [143TA7630](#)



RK-EPR-4  
REF [143TA7632](#)



RK-EPR-3  
REF [143TA7631](#)

## LPG SYSTEM PARTS



## E-CONTROLS



RK-EPR-5  
REF [165TA8018](#)



EPR regulator large  
REF [165TA8019](#)



LPG lock-off valve 12 V  
Trim valve: 2x1/8" NPT, used on Linde  
REF [144TA3701](#)



MAP sensor  
REF [165TA8020](#)



Throttle/governor (40 mm)  
REF [165TA8021](#)



Throttle/governor (60 mm)  
REF [165TA8022](#)

E-CONTROLS



# LPG SYSTEM PARTS



IMPCO

IMPCO



Authorised Impco Distributor



## LPG SYSTEM PARTS



IMPCO

IMPCO



Throttle body 3.0 l LPG DBC  
REF [136TA3186](#)



Throttle body 4.3 l LPG DBC & BDW  
REF [136TA3188](#)



Throttle body used on Linde  
REF [136TA3189](#)



Carburettor used on Linde  
REF [136TA3190](#)



Carburettor + throttle body  
Used on Linde until 2005  
REF [136TA3191](#)



Carburettor + throttle body  
Used on Linde from 2006  
REF [136TA3192](#)



Throttle position sensor  
REF [125TA2803](#)



Fuel trim valve, FTV  
REF [136TA3187](#)

# LPG SYSTEM PARTS



IMPCO

IMPCO



Carburettor FT150  
REF [143TA7553](#)



Major repair kit for EPR vaporiser  
REF [143TA7632](#)



EPR vaporiser  
REF [143TA7630](#)



Minor repair kit for EPR vaporiser  
REF [143TA7631](#)



T-fitting  
REF [143TA7572](#)



Valve with adapter 1/2" NPT  
REF [143TA7574](#)



Valve  
REF [143TA7646](#)



Valve  
REF [143TA7647](#)

## LPG SYSTEM PARTS



IMPCO

IMPCO



Lock-off 12 V  
REF [136TA3193](#)



Coolant temperature sensor  
REF [136TA3194](#)



Foot pedal position sensor  
REF [136TA3195](#)



Valve pressure trim  
REF [136TA3196](#)



Pressure sensor DS-S2-TF  
REF [136TA3197](#)



Pressure sensor DS-S3-TF  
REF [165TA8020](#)



Carburettor  
REF [136TA3198](#)



Vaporiser Model Cobra L4  
REF [136TA3004](#)

## LPG SYSTEM PARTS



IMPCO

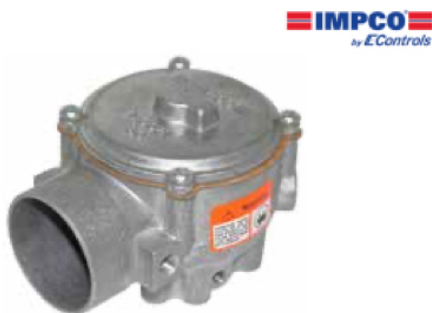
IMPCO



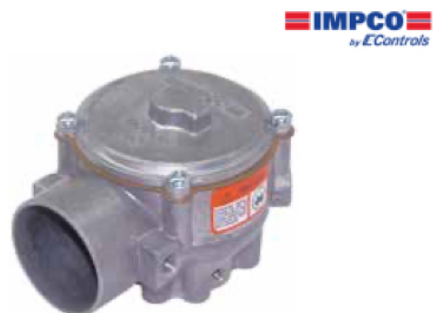
Fitting kit Model Cobra L4  
REF [143TA7882](#)



Carburettor Model FT60M  
Used on GM 3.0 l engines  
REF [143TA7634](#)



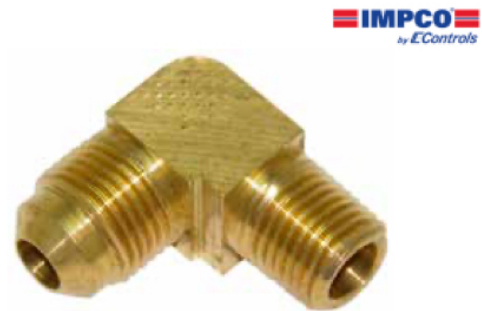
Carburettor Model FT60M  
Used on GM 1.6 l engines  
REF [143TA7635](#)



Carburettor Model FT60M  
Used on Tennant  
REF [143TA7636](#)



Carburettor Model FT60M  
Used on Mazda engines FE/F2  
REF [143TA7637](#)



90° 1/4" NPT x 3/8" flare  
REF [143TA7638](#)



Adapter 1/4" NPT  
REF [143TA7639](#)



70° angle, hose: 5/8"  
With o-rings, fits .78" port  
REF [143TA7640](#)



## LPG SYSTEM PARTS



IMPCO

IMPCO



Plug with o-rings  
REF [143TA7641](#)



Retaining pin  
REF [143TA7642](#)



Fitting assembly, straight  
REF [143TA7643](#)



Solenoid vacuum lift valve  
Replaced by REF [165TA8023](#)  
REF [143TA7644](#)



Kit valve  
REF [165TA8023](#)



Used on Clark/Doosan, diameter throttle body: 40 mm  
Used on GM 1.6 l  
REF [143TA7629](#)



Used on Linde with VW engine  
REF [143TA7645](#)



Carburettor used on 4.3 l V6, tier 3  
REF [143TA7553](#)

## LPG SYSTEM PARTS



IMPCO

IMPCO


  
by EControls

Cone "E", used on STILL Rx70  
REF [165TA8025](#)


  
by EControls

Cone "F", used on STILL Rx70  
REF [165TA8026](#)


  
by EControls

Used on Linde  
REF [165TA8027](#)


  
by EControls

Used on Linde, repair kit is REF [165TA8029](#)  
REF [165TA8028](#)


  
by EControls

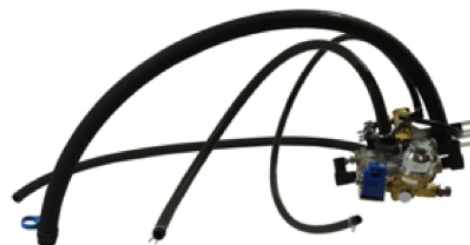
Repair kit for REF [165TA8028](#)  
REF [165TA8029](#)


  
by EControls

Used on Linde, repair kit is REF [165TA8031](#)  
REF [165TA8030](#)


  
by EControls

Repair kit for REF [165TA8030](#)  
REF [165TA8031](#)


  
by EControls

Complete vaporiser kit used on Jungheinrich  
REF [165TA8032](#)

# LPG SYSTEM PARTS



IMPCO

IMPCO



LPG system conv kit / Used on Jungheinrich TFG316-425 '04-'14 with Nissan K25 engine  
**REF [165TA8033](#)**



Naked vaporiser, no repair kit available  
**REF [165TA8034](#)**



Vaporiser with connector kit, no repair kit available  
**REF [165TA8035](#)**



For C-series vaporiser  
**REF [165TA8036](#)**



For C-series vaporiser  
**REF [165TA8037](#)**



C-series gas plug/test conn; incl o-ring and cap  
**REF [165TA8038](#)**



C-series cap balance connection; incl O-ring  
**REF [165TA8039](#)**



C-series connector kit  
**REF [165TA8397](#)**

# LPG SYSTEM PARTS



IMPCO

IMPCO



Hose ASM, FTV-PTV (230 mm)  
**REF [165TA8040](#)**



Solenoid valve  
**REF [165TA8023](#)**

# LPG SYSTEM PARTS



IMPCO

## VAPORISERS AND REPAIR KITS



Vaporiser Cobra  
Outlet pressure: 370 Pa  
**REF [107TA1732](#)**



Repair kit for Cobra / Cobra - I  
**REF [107TA1730](#)**



Vaporiser Cobra - I  
Outlet pressure - 120 Pa with orange spring  
**REF [126TA6141](#)**



Repair kit for Cobra vaporiser with CAP  
(equipped for Germany)  
**REF [107TA1729](#)**



Vaporiser Model E  
**REF [107TA9160](#)**



Repair kit for Model J  
**REF [105TA4821](#)**



Vaporiser Cobra Model CB-441 with extra connection hole  
**REF [143TA7554](#)**



Repair kit for Model E  
**REF [107TA9161](#)**



# LPG SYSTEM PARTS



IMPCO

## VAPORISERS AND REPAIR KITS



**IMPCO**  
by EControls

MD vaporiser  
REF [165TA8041](#)



**IMPCO**  
by EControls

Repair kit Cobra / MD vaporiser  
REF [165TA8042](#)



**IMPCO**  
by EControls

Vaporiser Model LB  
REF [107TA9162](#)



**IMPCO**  
by EControls

Fitting kit Cobra  
REF [165TA8043](#)



**IMPCO**  
by EControls

Fuel lock-off vacuum Model VFF30  
REF [105TA4822](#)



**IMPCO**  
by EControls

Repair kit Model LB  
REF [107TA9163](#)



**IMPCO**  
by EControls

Repair kit  
REF [126TA6148](#) - For Model VFF30 with silicone diaphragm  
REF [105TA4823](#) - For Model VFF30



**IMPCO**  
by EControls

Gasket for Model VFF30  
REF [107TA9165](#)

# LPG SYSTEM PARTS



IMPCO

## VAPORISERS AND REPAIR KITS



Fuel lock-off vacuum  
Model VFF30-2, VMQ  
REF [143TA7556](#)



Filter + gasket for Model VFF30  
REF [107TA9166](#)



Fuel lock-off vacuum  
Model VFF303-2, FVMQ  
REF [143TA7558](#)



Repair kit VFF30-2, VMQ  
REF [143TA7557](#)



Repair kit VFF303, FVMQ  
REF [143TA7559](#)



Switch  
REF [143TA7560](#)



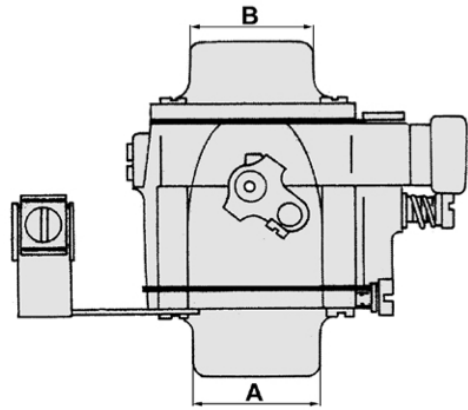
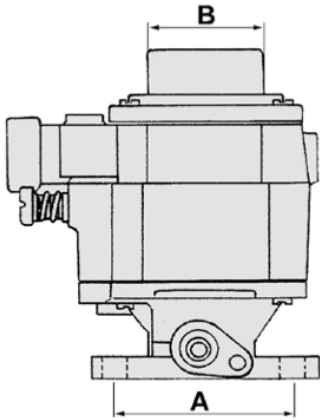
Switch  
REF [143TA7561](#)

# LPG SYSTEM PARTS



IMPCO

## IMPCO CA50 - CA55



Company:	.....
Customer code:	.....
Name:	.....
Fax number:	.....

### CA50-CA55

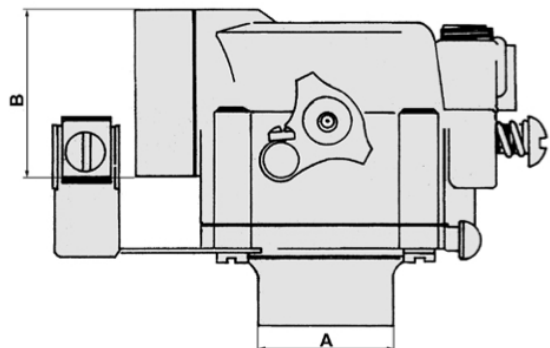
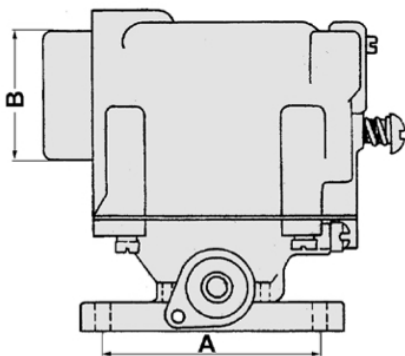
Type:.....

Engine:.....

Model:.....

A:..... mm

B:..... mm



## LPG SYSTEM PARTS



IMPCO

## IMPCO CA50-CA55



REF [107TA9170](#) - 2" 1/16 (52,4 mm)  
 REF [107TA9385](#) - 1" 7/8 (47,7 mm)  
 REF [112TA1146](#) - 1" 5/8 (41,3 mm)  
 REF [112TA1145](#) - 1" 1/2 (38,1 mm)



Model CA50-CA55  
 Impco carburettor Series 500  
 REF [107TA9173](#)

Type 1  
 A: 53 mm  
 B: 43 mm



Model CA50-CA55 Impco carburettor  
 Diameter air horn: 43 mm, used on Hyster forklift  
 REF [107TA9169](#)

Type 1



Model CA50-CA55 Impco  
 Used on 4Y-5K Toyota  
 REF [105TA4827](#)

Type 1  
 A: 2" 3/8 (60,3 mm)  
 B: special for 4P



Model CA50 - CA55  
 1" SAE flange, used on 4P Toyota engine  
 REF [107TA9172](#)

Type 1  
 A: 2" 11/16 (68,3 mm)  
 B: 2" 1/16 (52,4 mm)



Model CA50 - CA55  
 1" 1/4 SAE flange  
 REF [107TA9171](#)

Type 1



Model CA50 - CA55  
 Carburettor used on Clarck  
 REF [107TA9168](#)

Type 1  
 A: 79 mm  
 B: 63 mm



Model CA50 - CA55, used on engine H20-II / H25  
 Option: vacuum controller REF [143TA7716](#)  
 REF [107TA1734](#)



## LPG SYSTEM PARTS



IMPCO

## IMPCO CA50-CA55

Type 2  
A: 1" 5/8 (41,3 mm)  
B: 1" 5/8 (41,3 mm)



Model CA50 - CA55 for dual fuel  
**REF 107TA9178**

Type 2  
A: 2" 1/16 (52,4 mm)  
B: 2" 1/16 (52,4 mm)



Model CA50 - CA55  
Carburettor for dual fuel, air horn diameter: 2" 1/16  
**REF 107TA9181**

Type 2



Model CA50 - CA55 M 750 L  
Mixer assy  
**REF 107TA9179**

Type 2  
A: 1" 7/8 (47,6 mm)  
B: 1" 7/8 (47,6 mm)



Model CA50 - CA55, dual fuel carburettor 1" 7/8 air horn  
1" 7/8; hose dual fuel w/lifter  
**REF 107TA9174**

Type 3  
A: 2" 3/8 (60,3 mm)  
B: 1" 5/8 (41,3 mm)



Model CA50 - CA55  
Carburettor 1" SAE flange 1" 5/8 air horn  
**REF 107TA9177**

Type 3  
A: 2" 3/8 (60,3 mm)  
B: 1" 5/8 (41,3 mm)



CA50 - CA55 Model 500  
1" SAE flange x 1" 5/8 air horn  
**REF 107TA9176**

Type 3  
A: 2" 1/16 (52,4 mm)  
B: 2" 1/16 (52,4 mm)



Model CA50 - CA55  
Carburettor used on Deutz GF3L913  
**REF 107TA9182**

Type 3  
A: 2" 3/8 (60,3 mm)  
B: 2" 1/16 (52,4 mm)



Model CA50 - CA55  
Carburettor used on Linde H15T with VW engine 1.6  
**REF 107TA9175**



## LPG SYSTEM PARTS



IMPCO

## IMPCO CA50-CA55



Model CA50 - CA55  
Carburettor dual fuel, diameter: 2"1/16  
**REF [107TA9180](#)**



Throttle body 1"1/4 SAE flange  
**REF [107TA9230](#)**



Throttle body used on 4Y and 5K engine  
**REF [107TA9228](#)**



Throttle body for Model CA50-CA55 series 500  
**REF [107TA9146](#)**



Throttle body SAE flange 1"  
**REF [107TA9226](#)**



Impco for CA50 - CA55  
**REF [107TA9233](#)** - 1"1/2 (38,1 mm)  
**REF [107TA9234](#)** - 1"5/8 (41,3 mm)  
**REF [107TA9235](#)** - 1" 7/8 (47,7 mm)



Impco for CA50 - CA55  
**REF [107TA9236](#)** - 2" 1/16 (52,4 mm)  
**REF [107TA9237](#)** - 2" 5/16 (58,8 mm)  
**REF [107TA9238](#)** - 2" 1/2 (63,5 mm)



Adapter  
**REF [107TA9239](#)** - 1"1/2 (38,1 mm)  
**REF [107TA9240](#)** - 1"5/8 (41,3 mm)  
**REF [107TA9241](#)** - 1" 7/8 (47,7 mm)  
**REF [107TA9191](#)** - 2" 1/16 (52,4 mm)  
**REF [107TA9242](#)** - 2" 5/16 (58,8 mm)

## LPG SYSTEM PARTS



IMPCO

## IMPCO CA50-CA55



Gasket for Model CA50 - CA55  
REF [107TA9192](#)



Inlet: 1" 7/8 air horn, outlet: 1" 7/8  
Hose dual fuel with lifter  
REF [143TA7562](#)



Used on 4Y engine in 6- and 7-series  
1" 1/2 SAE, flange: 50 mm  
REF [143TA7563](#)



Used on Z24 and H20 new style engines  
3/4" SAE, flange: 43 mm  
REF [143TA7564](#)

# LPG SYSTEM PARTS



IMPCO

## IMPCO SPARE PARTS



Vacuum controller  
REF [143TA7716](#)



Gasket for Model CA50-CA55  
REF [107TA9187](#)



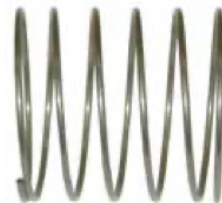
Repair kit CA55  
REF [107TA1735](#)



Carburettor plate  
REF [107TA9184](#)



Air valve assy  
REF [107TA9243](#)



Air valve spring Model CA50-CA55  
REF [107TA9185](#)



Throttle body  
REF [136TA3170](#)



Spring idle cut off Model CA50  
REF [107TA9186](#)

# LPG SYSTEM PARTS



IMPCO

## IMPCO SPARE PARTS



Piston  
**REF [107TA9190](#)**



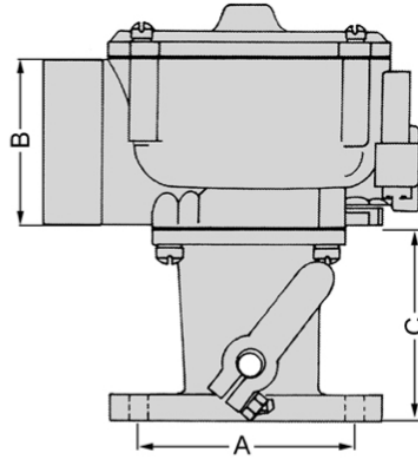
Air horn adapter  
Used on 4P-5R Toyota engine  
**REF [107TA9189](#)**

# LPG SYSTEM PARTS



IMPCO

## IMPCO CA100



Company:	.....
Customer code:	.....
Name:	.....
Fax number:	.....

### CA100

Engine: .....

Model: .....

A: ..... mm

B: ..... mm

C: ..... mm





## LPG SYSTEM PARTS



IMPCO

## IMPCO CA100



Carburettor

REF [107TA9194](#) - 1" 1/2 (38,1mm)REF [107TA9200](#) - 1" 5/8 (41,3 mm)REF [107TA9195](#) - 1" 7/8 (47,7 mm)REF [107TA9196](#) - 2" 1/16 (52,4 mm)REF [107TA9197](#) - 2" 5/16 (53,8 mm)

A: 2" 11/16 (68,3 mm)

B: 2" 5/16 (58,8 mm)



Carburettor Model CA100

REF [107TA9213](#)

A: 2" 11/16 (68,3 mm)

B: 2" 1/16 (52,4 mm)



Carburettor Model CA100

REF [107TA9214](#)

A: 2" 11/16 (68,3 mm)

B: 2" 1/16 (52,4 mm)

Carburettor used on Hyster  
S125-S150A with 4.236 Perkins engineREF [107TA9211](#)

A: 2" 11/16 (68,3 mm)

B: 2" 1/16 (52,4 mm)



Carburettor Model CA100

REF [107TA9210](#)

A: 2" 11/16 (68,3 mm)

B: 2" 1/16 (52,4 mm)



Carburettor Model CA100

REF [107TA9209](#)

A: 2" 15/16 (74,6 mm)

B: 2" 5/16 (58,8 mm)



Carburettor Model CA100

REF [107TA9208](#)

A: 2" 1/4 (57,2 mm)

B: 1" 1/2 (38,1 mm)



Carburettor Model CA100

REF [107TA9207](#)

## LPG SYSTEM PARTS



IMPCO

## IMPCO CA100

A: 2" 11/16 (68,3 mm)  
B: 2" 5/16 (58,8 mm)



Carburettor Model CA100  
**REF 107TA9203**

A: 2" 3/8 (60,3 mm)  
B: 2" 1/16 (52,4 mm)



Carburettor Model CA100  
Used on 4Y Toyota engine  
**REF 107TA9202**

B: 2" 1/16 (52,4 mm)



Carburettor Model CA100  
Used on 4G33, 4G41 ... Mitsubishi engines  
**REF 107TA9199**

A: 2" 3/8  
B: 2" 1/16 (52,4 mm)



Carburettor Model CA100  
**REF 107TA9198**

B: 2" 1/16 (52,4 mm)



Carburettor Model CA100  
**REF 136TA3211**

## LPG SYSTEM PARTS



IMPCO

## IMPCO SPARE PARTS



Repair kit for CA100-CA125  
**REF [107TA9205](#)** - Cone 7 - silicone  
**REF [106TA2922](#)** - Cone 7 - rubber  
**REF [111TA3749](#)** - Cone 32 - silicone  
**REF [111TA3751](#)** - Cone 42 - rubber  
**REF [111TA3750](#)** - Cone 47 - silicone



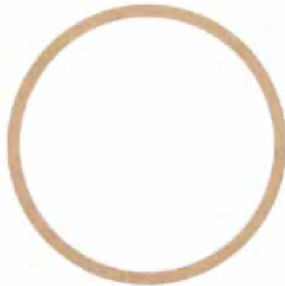
Carburettor + governor used on Yale/Hyster  
**REF [143TA7565](#)**



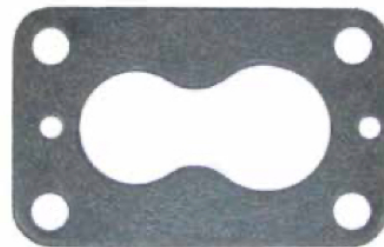
Governor used on Yale/Hyster  
**REF [143TA7566](#)**



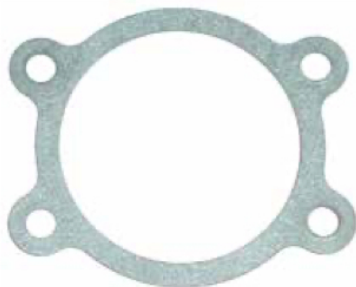
Connector  
**REF [107TA9386](#)**



Gasket CA100/125 air intake  
**REF [143TA7567](#)**



Throttle body gasket  
**REF [143TA7568](#)**



Throttle body gasket  
**REF [143TA7569](#)**



Repair kits CA125 used on Linde  
**REF [143TA7575](#)** - Cone 32 - silicone  
**REF [143TA7576](#)** - Cone 47 - silicone  
**REF [143TA7577](#)** - Cone B  
**REF [143TA7578](#)** - Cone A

## LPG SYSTEM PARTS

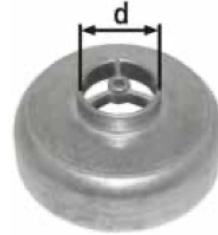


IMPCO

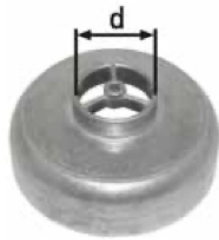
## IMPCO SPARE PARTS



Carburettor Model CA125  
Air horn diameter: 2" 5/16  
**REF [107TA9216](#)**



Air horn adapter CA125  
**REF [106TA2916](#)** - d = 2" 1/8  
**REF [107TA9364](#)** - d = 2" 7/32  
**REF [106TA2917](#)** - d = 2" 5/16



Air horn adapter CA125  
**REF [106TA2918](#)** - d = 2" 5/8  
**REF [106TA2919](#)** - d = 2" 3/4  
**REF [106TA2920](#)** - d = 3" 1/8



Mixer Model CA125  
**REF [107TA9215](#)**



Adapter used for carburettor LINDE 352  
(PERKINS)  
**REF [107TA9232](#)**



Adapter for Model CA100-CA125  
**REF [107TA9231](#)**



Throttle body for Model CA100-CA125  
**REF [107TA9225](#)**



Throttle body for Model CA100-CA125  
**REF [107TA9229](#)**



# LPG SYSTEM PARTS



IMPCO

## IMPCO SPARE PARTS



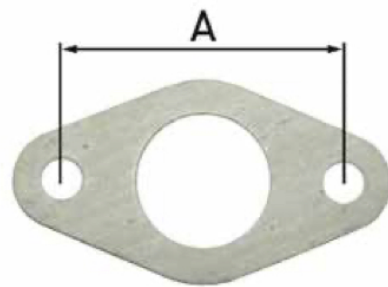
Throttle body for Model CA100-CA125  
REF [107TA9245](#)



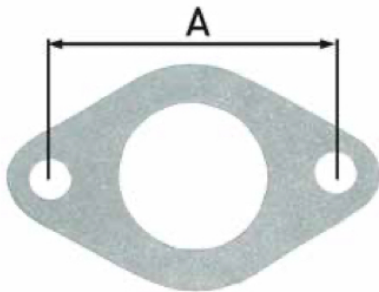
Throttle body for Model CA100  
REF [107TA9227](#)



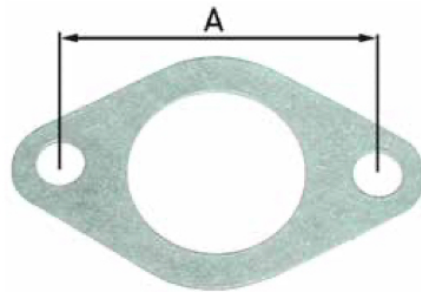
Throttle body for Model CA100-CA125  
REF [107TA9244](#)



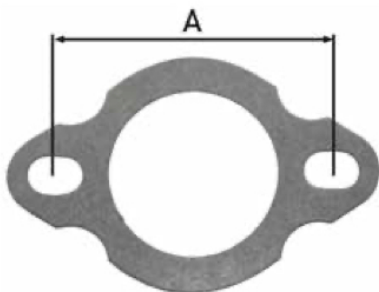
Gasket  
A = 2" 1/4 (57,2 mm)  
REF [107TA9365](#)



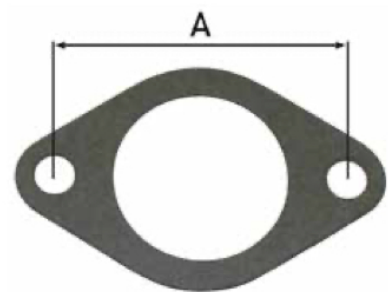
Gasket  
A = 2" 3/8 (60,3 mm)  
REF [107TA9218](#)



Gasket  
A = 2" 11/16 (68,3 mm)  
REF [107TA9366](#)



Gasket  
A = 2" 13/16 (71,5 mm)  
REF [107TA9368](#)



Gasket  
A = 2" 15/16 (74,6 mm)  
REF [107TA9367](#)



# LPG SYSTEM PARTS



IMPCO

## IMPCO SPARE PARTS



Adapter used on 3P Toyota engine  
REF [107TA9250](#)



Adapter used on 4G33, 4G41 Mitsubishi engine  
REF [107TA9249](#)



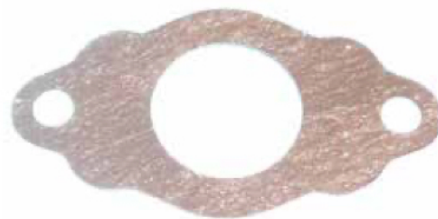
Adapter used on J15 Nissan engine  
REF [107TA9248](#)



Adapter used on H20 Nissan engine  
REF [107TA9247](#)



Used on 4Y-5K engine  
REF [107TA9363](#)



Gasket adapter 4Y-5K engines  
REF [143TA7570](#)



Adapter for CA100 on 1FZ engine  
REF [143TA7571](#)



Screw 1/4"  
REF [107TA9223](#)

## LPG SYSTEM PARTS



IMPCO

## IMPCO SPARE PARTS



Screw 5/16"  
REF [107TA9219](#)



Ring 2"5/8  
REF [107TA9220](#)



Lever diameter: 11 mm  
REF [107TA9221](#)



Stud assy 1/4" x 5"1/2  
REF [107TA9222](#)



Lever diameter: 9,5 mm  
REF [143TA7555](#)



Valve kit  
REF [143TA7572](#)



Coupler  
REF [143TA7573](#)



Valve kit  
REF [143TA7574](#)

# LPG SYSTEM PARTS



IMPCO

## IMPCO SPARE PARTS



Spring assy 5/16" shaft  
**REF [107TA9259](#)**



Spring assy 1/4" shaft  
**REF [107TA9258](#)**



Throttle stop assy  
Stop diameter: 5/16"  
**REF [107TA9257](#)**



Throttle stop assy  
Stop diameter: 1/4"  
**REF [107TA9255](#)**



Choke  
**REF [107TA9315](#)**

# LPG SYSTEM PARTS



LPG-KIT WITH IMPCO CARBURETTOR & VAPORIZER

## LPG KIT WITH IMPCO CARBURETTOR & VAPORISER



Used on Komatsu Z11-series with 4P - 5K Toyota engine  
**REF [107TA9146](#)**



Used on Komatsu petrol + LPG with A15 + H20 Nissan engine or 4P + 5K TOYOTA engine  
**REF [107TA9145](#)**



Used on Komatsu Z11-series with H20 engine  
**REF [107TA9142](#)**

# LPG SYSTEM PARTS



## LPG KIT WITH IMPCO CARBURETTOR & VAPORISER



Used on Komatsu with 4P Toyota engine  
**REF [107TA9141](#)**



Upgrade kit Toyota 4Y and 4P engine (AISAN to IMPCO)  
**REF [143TA7624](#)**



Upgrade kit Mazda FE and F2 engine on Hyster/Yale (AISAN to IMPCO)  
**REF [143TA7625](#)**

LPG-KIT WITH IMPCO CARBURETTOR & VAPORIZER



# LPG SYSTEM PARTS



LPG-KIT WITH IMPCO CARBURETTOR & VAPORIZER

## LPG KIT WITH IMPCO CARBURETTOR & VAPORISER



Impco kit used on GM 4.3 l on Clark  
REF [143TA7626](#)



Impco conversion kit used on Nissan K21/K25 open loop, only LPG  
REF [143TA7627](#)



LPG kit used on Nissan K15-K21-K25-TB45 engines  
REF [143TA7628](#)