

# ROLLER CHAINS AND SPROCKETS

# ROLLER CHAINS AND SPROCKETS

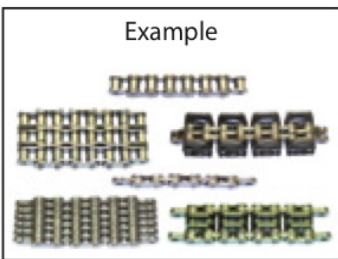


# ROLLER CHAINS AND SPROCKETS



## ROLLER CHAINS – TECHNICAL SHEETS – ENGLISH

Group  
**10-01-03-00**



Customer details

Type machine: .....

Price inquiry

Serial n° machine: .....

Order

CODE : TY-K x H x P x L x B x B2 x B3 x D1 x D2 x S x TY-SK x MAT x KIT x F1 x F2 x F3 x F4



- TY-K..... Type of chain:  
  - SR = simplex roller chain
  - DR = duplex roller chain
  - TR = triplex roller chain
  - QR = quadruplex roller chain
  - SK = leaf chain
- H..... Total height.
- P..... Pitch length.
- L..... Total length.
- B..... Total width.
- B2..... Inner link width.
- B3..... Inner width.
- D1 ..... Roller diameter.
- D2 ..... Pin diameter.
- S..... Plate thickness.
- TY-SK ..... Type of leaf chain, see combinations.
- MAT..... Material:  
  - ST = steel
  - SS = stainless steel
  - DA = dachromat (zinc plated)
- KIT ..... YES/NO, if chain lock(s) and/or chain anchor(s) are present.
- F1..... Nominal breaking load, in kN.
- F2..... Actual breaking load, in kN.
- F3..... Test load, in kN.
- F4..... Save working load, in kN/1 000 000 cycles.

ROLLER CHAINS – TECHNICAL SHEETS – ENGLISH

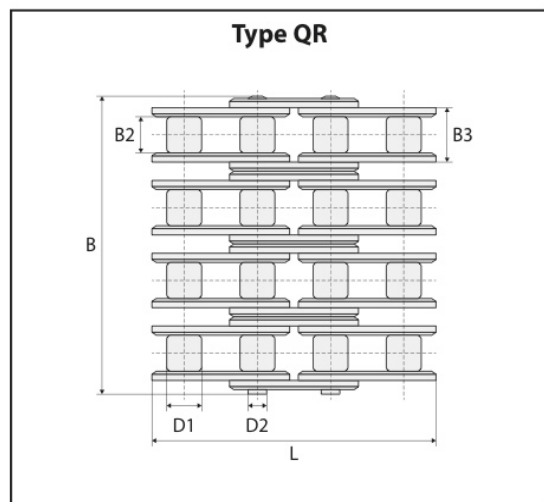
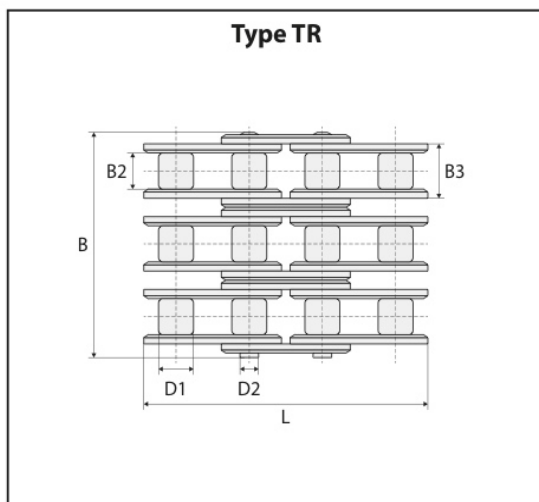
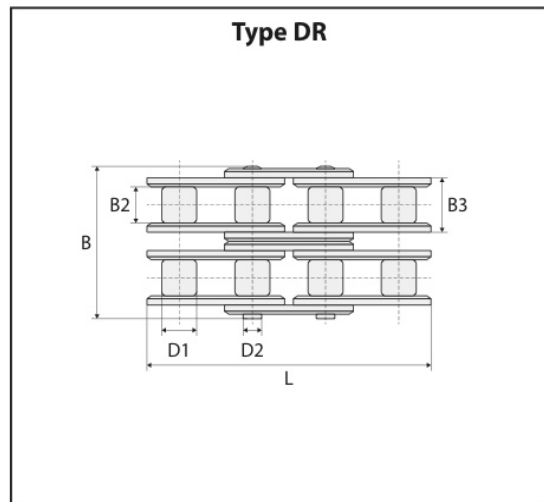
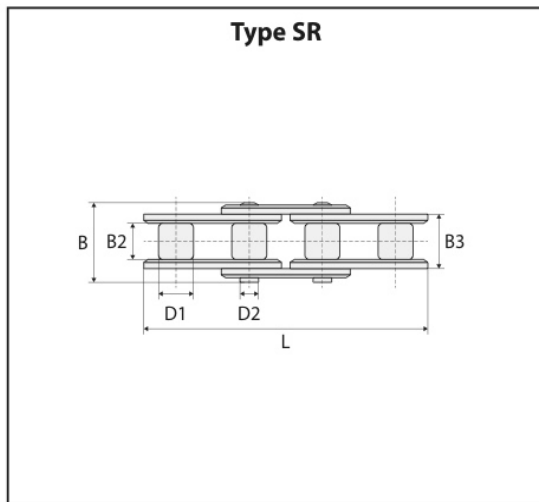
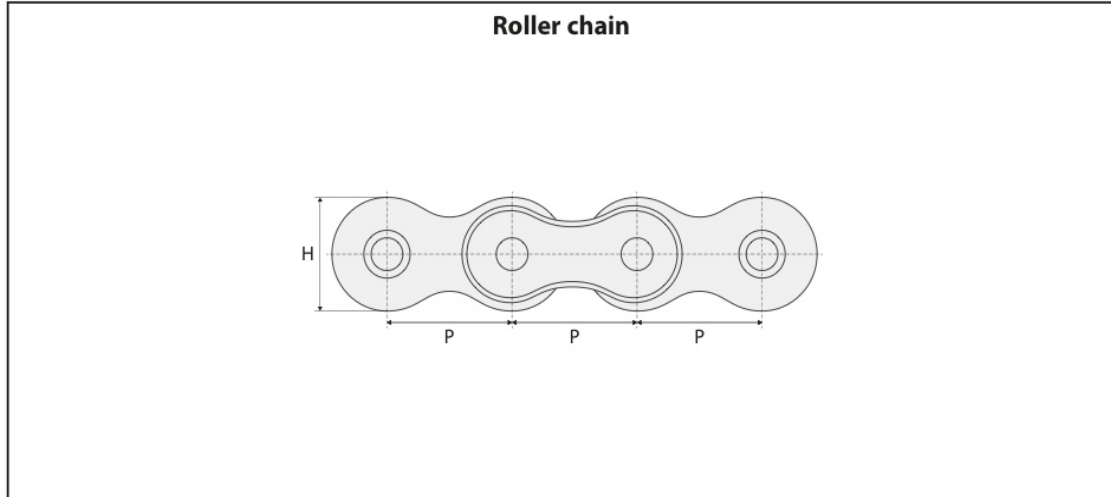
# ROLLER CHAINS AND SPROCKETS



ROLLER CHAINS – TECHNICAL SHEETS – ENGLISH

## ROLLER CHAINS – TECHNICAL SHEETS – ENGLISH

### DIMENSIONS



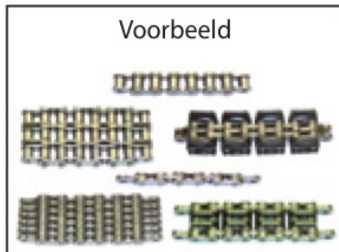
# ROLLER CHAINS AND SPROCKETS



## ROLLER CHAINS – TECHNICAL SHEETS – DUTCH

### KETTINGEN

Groep  
**10-01-03-00**



Gegevens klant

Type machine: .....

Prijsaanvraag

Serienr. machine: .....

Bestelling

CODE: TY-K x H x P x L x B x B2 x B3 x D1 x D2 x S x TY-SK x MAT x KIT x F1 x F2 x F3 x F4

- TY-K..... Type ketting:  
*SR = simplex rollenketting*  
*DR = duplex rollenketting*  
*TR = triplex rollenketting*  
*QR = quadruplex rollenketting*  
*SK = schalmenketting*
- H..... Totale hoogte.
- P..... Pas lengte.
- L..... Totale lengte.
- B..... Totale breedte.
- B2..... Breedte binnenkant link.
- B3..... Binnenste breedte.
- D1 ..... Rol diameter.
- D2 ..... Pin diameter.
- S..... Schalmdikte.
- TY-SK ..... Type schalmenketting, zie combinaties.
- MAT..... Materiaal:  
*ST = staal*  
*SS = roestvrij staal*  
*DA = dachromet (verzinkt)*
- KIT ..... JA/NEE, indien kettingslot(en) en/of kettinganker(s) aanwezig zijn.
- F1..... Nominaal breekkracht, in kN.
- F2..... Reële breekkracht, in kN.
- F3..... Testkracht, in kN.
- F4..... Maximale belasting, in kN/1 000 000 cyclus.

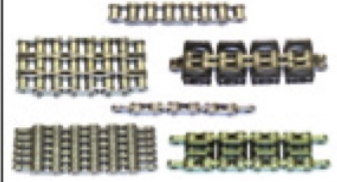
**zie Engelse technische fiche!**

# ROLLER CHAINS AND SPROCKETS



## ROLLER CHAINS – TECHNICAL SHEETS – FRENCH

### CHAÎNES

Groupe <b>10-01-03-00</b>	Exemple	Données client
		

Type machine : ..... Demande de prix  
 No. série machine : ..... Commande

CODE : TY-K x H x P x L x B x B2 x B3 x D1 x D2 x S x TY-SK x MAT x KIT x F1 x F2 x F3 x F4

- TY-K..... Type de chaîne :
- SR = chaîne à rouleaux simplex
  - DR = chaîne à rouleaux duplex
  - TR = chaîne à rouleaux triplex
  - QR = chaîne à rouleaux quadruplex
  - SK = chaîne à maille jointive
- H..... Hauteur totale.
- P..... Longueur du pas.
- L..... Longueur de la chaîne.
- B..... Largeur totale.
- B2..... Largeur (voir figure).
- B3..... Largeur (voir figure).
- D1..... Diamètre du rouleau.
- D2..... Diamètre pas.
- S..... Épaisseur (voir figure).
- TY-SK..... Type de chaîne à maille jointive, voir combinaisons.
- MAT..... Matériel :
- ST = acier
  - SS = acier inoxydable
  - DA = dachromat (galvanisé)
- KIT..... OUI/NON, si présence d'attache(s) rapide(s) ou de tirant(s) de chaîne.
- F1..... Charge de rupture nominale, en kN.
- F2..... Charge de rupture réelle, en kN.
- F3..... Charge d'essai, en kN.
- F4..... Charge maximale, en kN/1 000 000 cycles.

**voir la fiche technique en Anglais.**

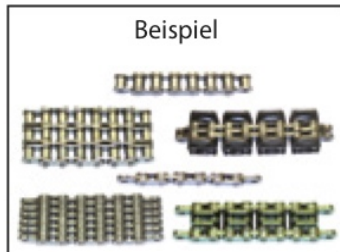
# ROLLER CHAINS AND SPROCKETS



## ROLLER CHAINS – TECHNICAL SHEETS – GERMAN

### KETTEN

Gruppe  
**10-01-03-00**



Kundendaten

Maschinentyp: .....

Preis Anfrage

Serien-Nr. Maschine: .....

Bestellung

CODE : TY-K x H x P x L x B x B2 x B3 x D1 x D2 x S x TY-SK x MAT x KIT x F1 x F2 x F3 x F4

- TY-K..... Kettentyp:  
*SR = Simplex Rollenkette*  
*DR = Duplex Rollenkette*  
*TR = Triplex Rollenkette*  
*QR = Quadruplex Rollenkette*  
*SK = Flyerkette*
- H..... Gesamthöhe.  
P..... Teilung.  
L..... Gesamtlänge.  
B..... Gesamtbreite.  
B2..... Breite Kettenglied.  
B3..... Breite.  
D1 ..... Rollendurchmesser.  
D2 ..... Bolzendurchmesser.  
S..... Blechstärke.  
TY-SK ..... Typ Flyerkette, siehe Kombinationen.  
MAT..... Material:  
*ST = Stahl*  
*SS = Inox*  
*DA = Dachromat (galvanisch verzinkt)*
- KIT ..... JA/NEIN, wenn Kettenschloss(schlösser) und/oder Kettenanker vorhanden sind.
- F1..... Nominale Bruchkraft, in kN.  
F2..... Reelle Bruchkraft, in kN.  
F3..... Testkraft, in kN.  
F4..... Maximale Belastung, in kN/1 000 000 Zyklus.

Siehe technische Datenblätter auf Englisch.

# ROLLER CHAINS AND SPROCKETS



ROLLER CHAINS

ROLLER CHAINS										
Type	Pitch P (mm)	Inner width B3 min (mm)	Roller diameter D1 max (mm)	Pin diameter D2 max (mm)	Inner width B2 max (mm)	Plate height H max (mm)	Pin length L max (mm)	Strength FB (kN)	Weight q (kg/m)	
<b>Simplex chain</b>										
05B1	8,000	3,00	5,00	2,31	4,77	7,10	8,60	5,00	0,18	<a href="#">107TA2287</a>
ASA25	6,350	3,18	3,30	2,31	4,68	6,00	9,10	3,50	0,13	<a href="#">107TA2288</a>
ASA35	9,525	4,68	5,08	3,58	7,47	9,00	12,00	7,90	0,33	<a href="#">107TA2290</a>
06B1	9,525	5,72	6,35	3,28	8,53	8,30	13,50	9,00	0,41	<a href="#">107TA2291</a>
81	12,700	3,30	7,75	3,65	5,80	9,90	10,20	8,20	0,28	<a href="#">107TA2292</a>
83	12,700	4,88	7,75	4,09	7,90	10,30	12,90	12,00	0,42	<a href="#">107TA2295</a>
84	12,700	4,88	7,75	4,09	8,80	11,10	14,80	16,00	0,59	<a href="#">107TA2296</a>
85	12,700	6,38	7,77	3,58	9,07	9,90	14,00	6,80	0,38	<a href="#">107TA2297</a>
08B1	12,700	7,75	8,51	4,45	11,30	11,60	16,70	18,00	0,70	<a href="#">107TA2298</a>
ASA40	12,700	7,85	7,95	3,96	11,15	11,60	16,30	14,10	0,62	<a href="#">107TA2299</a>
ASA50	15,875	9,40	10,16	5,08	13,80	14,60	20,30	22,20	1,01	<a href="#">107TA2300</a>
10B1	15,875	9,65	10,16	5,08	13,28	14,60	18,90	22,40	0,90	<a href="#">107TA2301</a>
12B1	19,050	11,68	12,07	5,72	15,62	15,90	22,30	29,00	1,15	<a href="#">107TA2302</a>
ASA60	19,050	12,57	11,91	5,94	17,70	17,70	25,70	31,80	1,48	<a href="#">107TA2303</a>
ANSI65	19,050	12,70	9,00	5,94	17,75	17,70	25,70	31,80	1,20	<a href="#">107TA2304</a>
Works specs.	25,400	12,70	19,05	10,17	25,70	24,00	40,10	120,00	4,40	<a href="#">107TA2305</a>
ASA80	25,400	15,75	15,88	7,92	22,50	23,50	33,00	56,70	2,60	<a href="#">107TA2307</a>
16B1	25,400	17,02	15,88	8,28	25,40	20,50	35,40	60,00	2,60	<a href="#">107TA2308</a>
ASA85	25,400	15,88	11,67	7,92	22,61	23,60	33,00	56,70	2,18	<a href="#">107TA2309</a>
ASA100	31,750	18,90	19,05	9,53	27,40	29,20	39,40	88,50	3,76	<a href="#">107TA2310</a>
ASA105	31,750	19,05	13,84	9,53	27,46	29,20	39,40	88,50	3,18	<a href="#">107TA2311</a>
20B1	31,750	19,56	19,05	10,19	29,00	25,70	40,40	95,00	3,70	<a href="#">107TA2312</a>
ASA120	38,100	25,22	22,23	11,10	35,30	34,40	49,80	127,00	5,50	<a href="#">107TA2313</a>
24B1	38,100	25,40	25,40	14,63	37,90	33,00	53,80	160,00	6,90	<a href="#">107TA2314</a>
ASA140	44,450	25,22	25,40	12,70	37,00	40,80	53,40	172,40	7,20	<a href="#">107TA2315</a>
28B1	44,450	30,99	27,94	15,90	46,50	37,00	63,30	200,00	8,60	<a href="#">107TA2316</a>
32B1	50,800	30,99	29,21	17,81	45,50	41,20	65,10	250,00	9,50	<a href="#">107TA2317</a>
ASA160	50,800	31,55	28,58	14,27	45,00	47,80	63,60	226,80	10,30	<a href="#">107TA2318</a>
ASA180	57,150	35,72	35,72	17,46	50,50	54,00	71,30	282,00	14,00	<a href="#">107TA2319</a>
ASA200	63,500	37,85	39,68	19,84	54,70	60,00	78,00	353,80	16,80	<a href="#">107TA2320</a>
40B1	63,500	38,10	39,37	22,89	55,70	51,50	78,90	355,00	15,10	<a href="#">107TA2321</a>
48B1	76,200	45,72	48,26	29,24	70,50	63,50	98,50	560,00	24,50	<a href="#">107TA2322</a>
ASA240	76,200	47,35	47,63	23,80	67,50	70,00	94,80	510,30	25,00	<a href="#">107TA2323</a>
56B-1	88,900	53,34	53,98	34,32	81,30	77,00	114,70	850,00	36,50	<a href="#">107TA2324</a>
<b>Duplex roller chain</b>										
05B2	8,000	3,00	5,00	2,31	4,77	7,10	14,30	8,00	0,36	<a href="#">107TA2326</a>
ASA35-2	9,525	4,68	5,08	3,58	7,47	8,30	22,10	15,80	0,65	<a href="#">107TA2327</a>
06B2	9,525	5,72	6,35	3,28	8,53	8,30	23,80	16,00	0,78	<a href="#">107TA2328</a>
08B2	12,700	7,75	8,51	4,45	11,30	11,60	30,60	32,00	1,40	<a href="#">107TA2329</a>
ASA40-2	12,700	7,85	7,95	3,96	11,15	11,60	30,70	28,20	1,22	<a href="#">107TA2330</a>
Works specs.	12,700	5,21	8,51	4,45	8,74	11,80	25,40	32,00	1,18	<a href="#">111TA3481</a>
ASA50-2	15,875	9,40	10,16	5,08	13,80	14,60	38,50	44,40	2,00	<a href="#">107TA2331</a>
10B2	15,875	9,65	10,16	5,08	13,28	14,60	35,50	40,00	1,80	<a href="#">107TA2332</a>



# ROLLER CHAINS AND SPROCKETS



ROLLER CHAINS

ROLLER CHAINS										
Type	Pitch P (mm)	Inner width B3 min (mm)	Roller diameter D1 max (mm)	Pin diameter D2 max (mm)	Inner width B2 max (mm)	Plate height H max (mm)	Pin length L max (mm)	Strength FB (kN)	Weight q (kg/m)	
12B2	19,05	11,68	12,07	5,72	15,62	15,90	41,70	53,00	2,30	<a href="#">107TA2333</a>
ASA60-2	19,05	12,57	11,91	5,94	17,70	17,70	48,50	63,60	2,95	<a href="#">107TA2334</a>
ASA80	25,40	15,75	15,88	7,92	22,50	23,50	33,00	56,70	2,60	<a href="#">107TA2306</a>
ASA80-2	25,40	15,75	15,88	7,92	22,50	23,50	62,40	113,40	5,20	<a href="#">107TA2335</a>
16B2	25,40	17,02	15,88	8,28	25,40	20,50	67,40	106,00	5,30	<a href="#">107TA2336</a>
ASA100-2	31,75	18,90	19,05	9,53	27,40	29,20	75,30	177,00	7,60	<a href="#">107TA2337</a>
20B2	31,75	19,56	19,05	10,19	29,00	25,70	76,90	170,00	7,25	<a href="#">107TA2338</a>
ASA120-2	38,10	25,22	22,23	11,10	35,30	34,40	95,30	254,00	10,80	<a href="#">107TA2339</a>
24B2	38,10	25,40	25,40	14,63	37,90	33,00	102,20	280,00	13,75	<a href="#">107TA2340</a>
ASA140-2	44,45	25,22	25,40	12,70	37,00	40,80	103,30	344,80	14,20	<a href="#">107TA2341</a>
28B2	44,45	30,99	27,94	15,90	46,50	37,00	122,80	360,00	17,30	<a href="#">107TA2342</a>
32B2	50,80	30,99	29,21	17,81	46,50	41,20	123,60	450,00	18,80	<a href="#">107TA2343</a>
ASA160-2	50,80	31,55	28,58	14,27	45,00	47,80	122,10	453,60	19,50	<a href="#">107TA2344</a>
ASA180-2	57,15	35,72	35,72	17,46	50,60	54,00	136,70	564,00	27,00	<a href="#">107TA2345</a>
ASA200-2	63,50	37,85	39,68	19,84	54,70	60,00	149,60	707,60	32,70	<a href="#">107TA2346</a>
40B2	63,50	38,10	39,37	22,89	55,70	51,50	151,20	630,00	29,90	<a href="#">107TA2347</a>
48B2	76,20	45,72	48,26	29,24	70,50	63,50	189,70	1000,00	48,60	<a href="#">107TA2348</a>
ASA240-2	76,20	47,35	47,63	23,80	67,50	70,00	182,70	1020,60	49,40	<a href="#">107TA2349</a>
56B-2	88,90	53,34	53,98	34,32	81,30	77,00	221,30	1600,00	72,50	<a href="#">107TA2350</a>
<b>Triplex roller chain</b>										
ASA35-3	9,525	4,68	5,08	3,58	7,47	8,30	32,30	23,70	0,97	<a href="#">107TA2351</a>
06B3	9,525	5,72	6,35	3,28	8,53	8,30	34,00	23,60	1,18	<a href="#">107TA2352</a>
08B3	12,700	7,75	8,51	4,45	11,30	11,60	44,60	47,50	2,10	<a href="#">107TA2353</a>
ASA40-3	12,700	7,85	7,95	3,96	11,15	11,60	45,10	42,30	1,83	<a href="#">107TA2354</a>
ASA50-3	15,875	9,40	10,16	5,08	13,80	14,60	56,70	66,60	2,97	<a href="#">107TA2355</a>
10B3	15,875	9,65	10,16	5,08	13,28	14,60	52,20	60,00	2,60	<a href="#">107TA2356</a>
12B3	19,050	11,68	12,07	5,72	15,62	15,90	61,30	80,00	3,40	<a href="#">107TA2357</a>
ASA60-3	19,050	12,57	11,91	5,94	17,70	17,70	71,40	95,40	4,35	<a href="#">107TA2358</a>
ASA80-3	25,400	15,75	15,88	7,92	22,50	23,50	91,70	170,10	7,90	<a href="#">107TA2359</a>
16B3	25,400	17,02	15,88	8,28	25,40	20,50	99,30	160,00	7,80	<a href="#">107TA2360</a>
ASA100-3	31,750	18,90	19,05	9,53	27,40	29,20	111,10	265,50	11,40	<a href="#">107TA2361</a>
20B3	31,750	19,56	19,05	10,19	29,00	25,70	113,40	250,00	10,85	<a href="#">107TA2362</a>
ASA120-3	38,100	25,22	22,23	11,10	35,30	34,40	140,70	381,00	15,80	<a href="#">107TA2363</a>
24B3	38,100	25,40	25,40	14,63	37,90	33,00	150,50	425,00	20,50	<a href="#">107TA2364</a>
ASA140-3	44,450	25,22	25,40	12,70	37,00	40,80	151,20	517,20	21,50	<a href="#">107TA2365</a>
28B3	44,450	30,99	27,94	15,90	46,50	37,00	182,30	530,00	25,75	<a href="#">107TA2366</a>
32B3	50,800	30,99	29,21	17,81	45,50	41,20	182,20	670,00	27,95	<a href="#">107TA2367</a>
ASA160-3	50,800	31,55	28,58	14,27	45,00	47,80	180,70	680,40	26,30	<a href="#">107TA2368</a>
ASA180-3	57,150	35,72	35,72	17,46	50,60	54,00	202,00	846,00	40,50	<a href="#">107TA2369</a>
ASA200-3	63,500	37,85	39,68	19,84	54,70	60,00	221,10	1061,40	48,80	<a href="#">107TA2370</a>
40B3	63,500	38,10	39,37	22,89	55,70	51,50	223,50	950,00	44,80	<a href="#">107TA2371</a>
48B3	76,200	45,72	48,26	29,24	70,50	63,50	281,00	1500,00	72,50	<a href="#">107TA2372</a>
ASA240-3	76,200	47,35	47,63	23,80	67,50	70,00	270,60	1530,90	74,10	<a href="#">107TA2373</a>
56B-3	88,900	53,34	53,98	34,32	81,30	77,00	328,00	2240,00	109,00	<a href="#">107TA2374</a>

# ROLLER CHAINS AND SPROCKETS



SMALL PITCH PRECISION ROLLER CHAINS – EUROPEAN SERIES

## SMALL PITCH PRECISION ROLLER CHAINS – EUROPEAN SERIES



Type	REF 5-metre box	REF connecting link	REF offset link	REF double offset link
<b>Simplex roller chains</b>				
04B1	<a href="#">115TA3584</a>	<a href="#">115TA3594</a>	<a href="#">115TA3604</a>	<a href="#">115TA3614</a>
05B1	<a href="#">115TA3585</a>	<a href="#">115TA3595</a>	<a href="#">115TA3605</a>	<a href="#">115TA3615</a>
06B1	<a href="#">115TA3586</a>	<a href="#">115TA3596</a>	<a href="#">115TA3606</a>	<a href="#">115TA3616</a>
08B1	<a href="#">115TA3587</a>	<a href="#">115TA3597</a>	<a href="#">115TA3607</a>	<a href="#">115TA3617</a>
10B1	<a href="#">115TA3588</a>	<a href="#">115TA3598</a>	<a href="#">115TA3608</a>	<a href="#">115TA3618</a>
12B1	<a href="#">115TA3589</a>	<a href="#">115TA3599</a>	<a href="#">115TA3609</a>	<a href="#">115TA3619</a>
16B1	<a href="#">115TA3590</a>	<a href="#">115TA3600</a>	<a href="#">115TA3610</a>	<a href="#">115TA3620</a>
20B1	<a href="#">115TA3591</a>	<a href="#">115TA3601</a>	<a href="#">115TA3611</a>	<a href="#">115TA3621</a>
24B1	<a href="#">115TA3592</a>	<a href="#">115TA3602</a>	<a href="#">115TA3612</a>	
28B1	<a href="#">115TA3593</a>	<a href="#">115TA3603</a>	<a href="#">115TA3613</a>	
<b>Duplex roller chains</b>				
05B2	<a href="#">115TA3622</a>	<a href="#">115TA3631</a>	<a href="#">115TA3640</a>	<a href="#">115TA3646</a>
06B2	<a href="#">115TA3623</a>	<a href="#">115TA3632</a>	<a href="#">115TA3641</a>	<a href="#">115TA3647</a>
08B2	<a href="#">115TA3624</a>	<a href="#">115TA3633</a>	<a href="#">115TA3642</a>	<a href="#">115TA3648</a>
10B2	<a href="#">115TA3625</a>	<a href="#">115TA3634</a>	<a href="#">115TA3643</a>	<a href="#">115TA3649</a>
12B2	<a href="#">115TA3626</a>	<a href="#">115TA3635</a>	<a href="#">115TA3644</a>	<a href="#">115TA3650</a>
16B2	<a href="#">115TA3627</a>	<a href="#">115TA3636</a>	<a href="#">115TA3645</a>	<a href="#">115TA3651</a>
20B2	<a href="#">115TA3628</a>	<a href="#">115TA3637</a>		
24B2	<a href="#">115TA3629</a>	<a href="#">115TA3638</a>		
28B2	<a href="#">115TA3630</a>	<a href="#">115TA3639</a>		
<b>Triplex roller chains</b>				
06B3	<a href="#">115TA3652</a>	<a href="#">115TA3660</a>	<a href="#">115TA3668</a>	<a href="#">115TA3673</a>
08B3	<a href="#">115TA3653</a>	<a href="#">115TA3661</a>	<a href="#">115TA3669</a>	<a href="#">115TA3674</a>
10B3	<a href="#">115TA3654</a>	<a href="#">115TA3662</a>	<a href="#">115TA3670</a>	<a href="#">115TA3675</a>
12B3	<a href="#">115TA3655</a>	<a href="#">115TA3663</a>	<a href="#">115TA3671</a>	<a href="#">115TA3676</a>
16B3	<a href="#">115TA3656</a>	<a href="#">115TA3664</a>	<a href="#">115TA3672</a>	<a href="#">115TA3677</a>
20B3	<a href="#">115TA3657</a>	<a href="#">115TA3665</a>		
24B3	<a href="#">115TA3658</a>	<a href="#">115TA3666</a>		
28B3	<a href="#">115TA3659</a>	<a href="#">115TA3667</a>		

# ROLLER CHAINS AND SPROCKETS



## SMALL PITCH PRECISION ROLLER CHAINS – AMERICAN STANDARD



Type	REF 5-metre box	REF connecting link
<b>Simplex roller chains</b>		
ASA 25	<a href="#">115TA3678</a>	<a href="#">115TA3691</a>
ASA 35	<a href="#">115TA3679</a>	<a href="#">115TA3692</a>
ASA 40	<a href="#">115TA3680</a>	<a href="#">115TA3693</a>
ASA 41	<a href="#">115TA3681</a>	<a href="#">115TA3694</a>
ASA 50	<a href="#">115TA3682</a>	<a href="#">115TA3695</a>
ASA 60	<a href="#">115TA3683</a>	<a href="#">115TA3696</a>
ASA 80	<a href="#">115TA3684</a>	<a href="#">115TA3697</a>
ASA 100	<a href="#">115TA3685</a>	<a href="#">115TA3698</a>
ASA 120	<a href="#">115TA3689</a>	<a href="#">115TA3699</a>
ASA 140	<a href="#">115TA3690</a>	<a href="#">115TA3700</a>
ASA 160	<a href="#">115TA3686</a>	<a href="#">115TA3701</a>
ASA 200	<a href="#">115TA3687</a>	<a href="#">115TA3702</a>
ASA 240	<a href="#">115TA3688</a>	<a href="#">115TA3703</a>
<b>Duplex roller chains</b>		
ASA 35-2	<a href="#">115TA3704</a>	<a href="#">115TA3715</a>
ASA 40-2	<a href="#">115TA3705</a>	<a href="#">115TA3716</a>
ASA 50-2	<a href="#">115TA3706</a>	<a href="#">115TA3717</a>
ASA 60-2	<a href="#">115TA3707</a>	<a href="#">115TA3718</a>
ASA 80-2	<a href="#">115TA3708</a>	<a href="#">115TA3719</a>
ASA 100-2	<a href="#">115TA3709</a>	<a href="#">115TA3720</a>
ASA 120-2	<a href="#">115TA3710</a>	<a href="#">115TA3721</a>
ASA 140-2	<a href="#">115TA3711</a>	<a href="#">115TA3722</a>
ASA 160-2	<a href="#">115TA3712</a>	<a href="#">115TA3723</a>
ASA 200-2	<a href="#">115TA3713</a>	<a href="#">115TA3724</a>
ASA 240-2	<a href="#">115TA3714</a>	<a href="#">115TA3725</a>

SMALL PITCH PRECISION ROLLER CHAINS – AMERICAN STANDARD

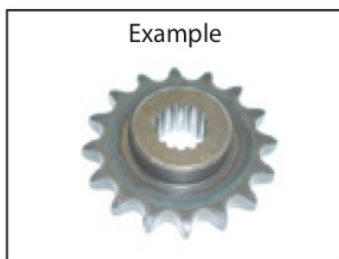
# ROLLER CHAINS AND SPROCKETS



SPROCKETS – TECHNICAL SHEETS – ENGLISH

## SPROCKETS – TECHNICAL SHEETS – ENGLISH

Group  
**09-02-06-00**



Customer details

Type machine: .....

Price inquiry

Serial n° machine: .....

Order

CODE: TY-TW x D1 x B1 x Z x H x L x TY-BV x D2 x D3 x B2 x AC x LB



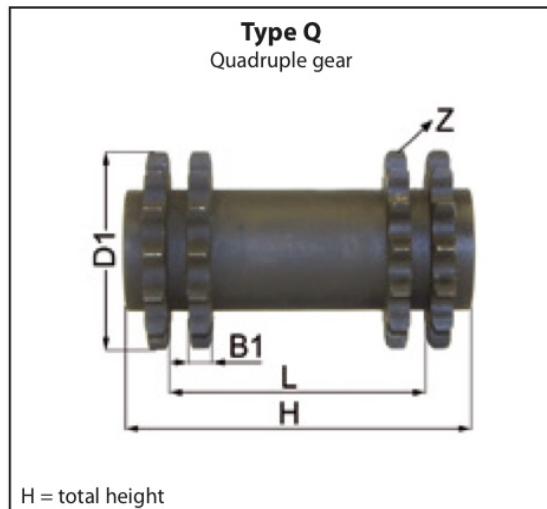
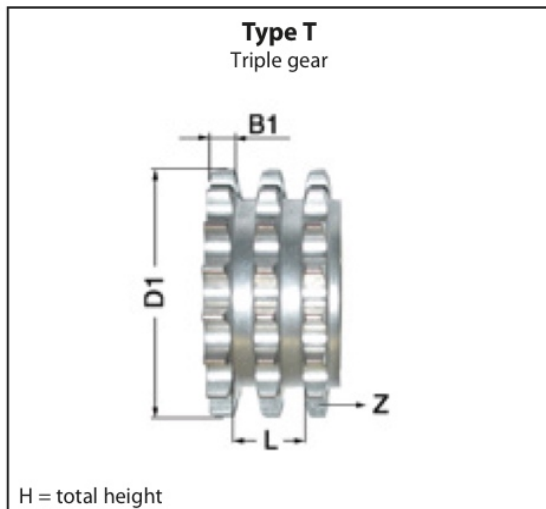
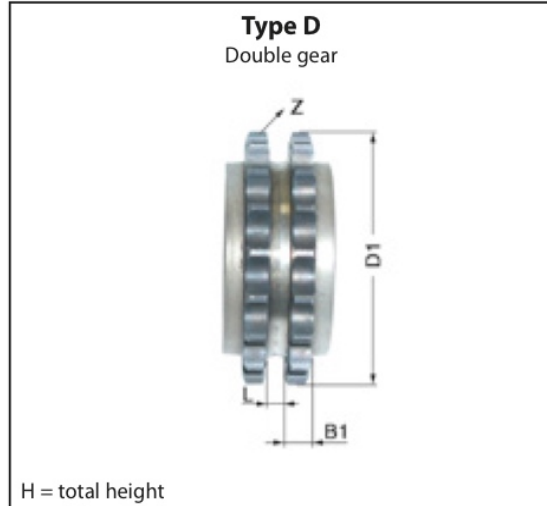
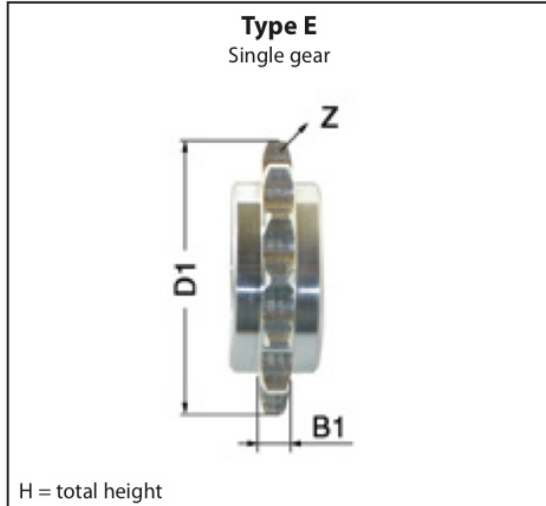
- TY-TW..... Type of chain gear.
  - D1 ..... Diameter gear, as per measurement scheme.
  - B1..... Dimension.
  - Z..... Number of teeth.
  - H..... Dimension, see types.
  - L..... Dimension between gears, see picture.
  - TY-BV ..... Type of inner mounting.
  - D2 ..... Dimension, see types inner mounting.
  - D3 ..... Dimension, see types inner mounting.
  - B2..... Dimension, see types inner mounting.
  - AC ..... Number of splines inner mounting.
  - LB..... Bearing or bush: YES/NO.
- ATTENTION:** if bush or bearing, D2: inner diameter of bush or bearing.

# ROLLER CHAINS AND SPROCKETS



## SPROCKETS – TECHNICAL SHEETS – ENGLISH

### DIMENSIONS



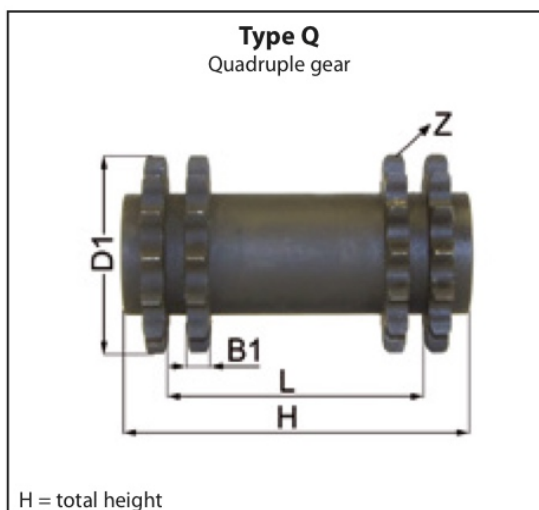
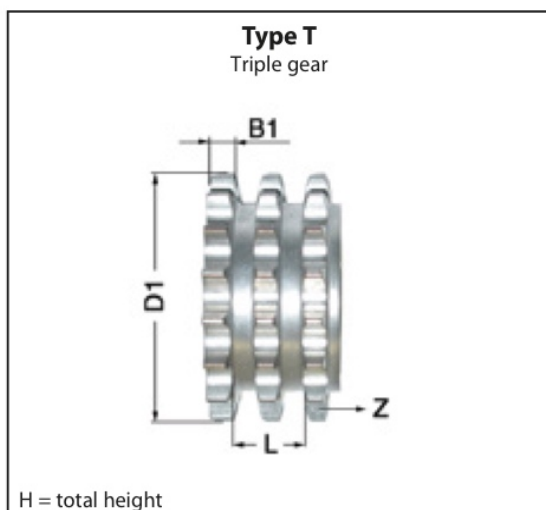
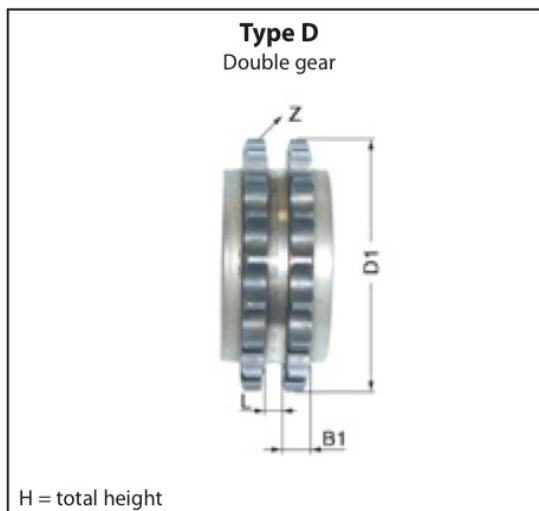
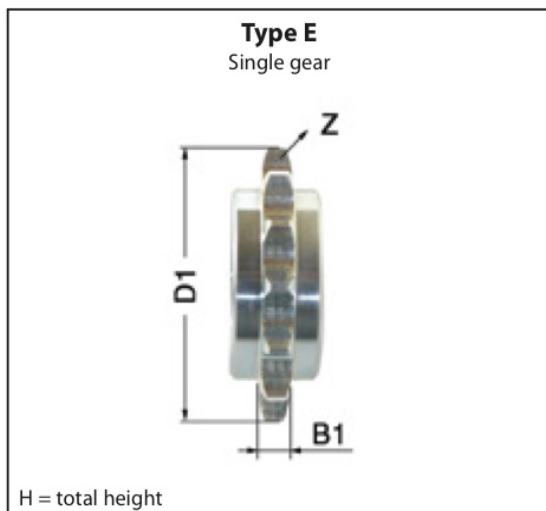
**NOTE:** if 2 different gears, measure the largest.

# ROLLER CHAINS AND SPROCKETS



## SPROCKETS – TECHNICAL SHEETS – ENGLISH

### DIMENSIONS




**NOTE:** if 2 different gears, measure the largest.

# ROLLER CHAINS AND SPROCKETS



## SPROCKETS – TECHNICAL SHEETS – DUTCH

### KETTINGTANDWIELEN

Groep <b>09-02-06-00</b>	Voorbeeld 	Gegevens klant
-----------------------------	--	----------------

Type machine: ..... Prijsaanvraag  
 Serienr. machine: ..... Bestelling

CODE: TY-TW x D1 x B1 x Z x H x L x TY-BV x D2 x D3 x B2 x AC x LB

- TY-TW..... Type kettingtandwiel.  
 D1 ..... Diameter tandwiel, volgens schema opmeting.  
 B1..... Afmeting.  
 Z..... Aantal tanden.  
 H..... Afmeting, zie types.  
 L..... Afmeting tussen de tandwielen, zie figuur.  
 TY-BV ..... Type inwendige bevestiging.  
 D2 ..... Afmeting, zie types inwendige bevestiging.  
 D3 ..... Afmeting, zie types inwendige bevestiging.  
 B2..... Afmeting, zie types inwendige bevestiging.  
 AC ..... Aantal kanaluren inwendige bevestiging.  
 LB..... Lager of bus aanwezig: JA/NEE.  
**PAS OP:** indien bus of lager aanwezig is, nemen we voor D2 de binnendiameter van de bus of het lager.

zie Engelse technische fiche!

SPROCKETS – TECHNICAL SHEETS – DUTCH


# ROLLER CHAINS AND SPROCKETS



SPROCKETS – TECHNICAL SHEETS – FRENCH

## SPROCKETS – TECHNICAL SHEETS – FRENCH

### PIGNON DE CHAÎNE

Groupe <b>09-02-06-00</b>	Exemple 	Données client
------------------------------	--	----------------

Type machine : ..... Demande de prix  
 No. série machine : ..... Commande

CODE : TY-TW x D1 x B1 x Z x H x L x TY-BV x D2 x D3 x B2 x AC x LB

TY-TW..... Type de pignon de chaîne.  
 D1 ..... Diamètre du pignon, selon mesure schéma.  
 B1..... Dimension.  
 Z..... Nombre de dents.  
 H..... Dimension, voir types.  
 L..... Dimensions entre les pignons, voir figure.  
 TY-BV ..... Type de fixation interne.  
 D2 ..... Dimension, voir types fixation interne.  
 D3 ..... Dimension, voir types fixation interne.  
 B2..... Dimension, voir types fixation interne.  
 AC ..... Nombre de cannelures fixation interne.  
 LB..... Palier ou bague : OUI/NON.  
**ATTENTION** : en cas de présence de palier ou bague, prenez pour D2 le diamètre interne du palier ou bague.

[voir la fiche technique en Anglais.](#)



# ROLLER CHAINS AND SPROCKETS



## SPROCKETS – TECHNICAL SHEETS – GERMAN

### KETTENZAHNRAD

Gruppe  
**09-02-06-00**



Kundendaten

Maschinentyp: .....

Preis Anfrage

Serien-Nr. Maschine: .....

Bestellung

CODE: TY-TW x D1 x B1 x Z x H x L x TY-BV x D2 x D3 x B2 x AC x LB



- TY-TW..... Kettenzahnradtyp.
  - D1 ..... Durchmesser Zahnrad, (siehe Schema).
  - B1..... Maß.
  - Z..... Anzahl Zähne.
  - H..... Maß, siehe Typen.
  - L..... Maß zwischen den Zahnradern, siehe Figur.
  - TY-BV ..... Innerer Befestigungstyp.
  - D2 ..... Maß, siehe innere Befestigungstypen.
  - D3 ..... Maß, siehe innere Befestigungstypen.
  - B2..... Maß, siehe innere Befestigungstypen.
  - AC ..... Verzählung innere Befestigung.
  - LB..... Lager oder Buchse vorhanden: JA/NEIN.
- ACHTUNG:** wenn ein Lager oder eine Buchse vorhanden ist, nehmen Sie für D2 den Innendurchmesser der Buchse oder des Lagers.

SPROCKETS – TECHNICAL SHEETS – GERMAN

Siehe technische Datenblätter auf Englisch.

# ROLLER CHAINS AND SPROCKETS

