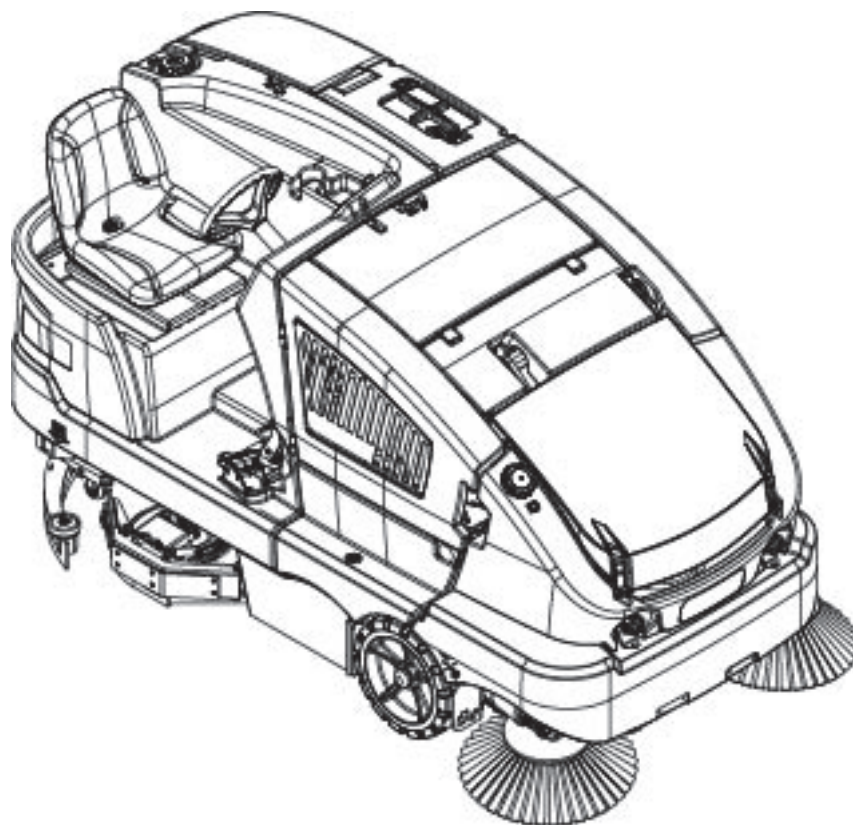


PARTS LIST



2023.11.03

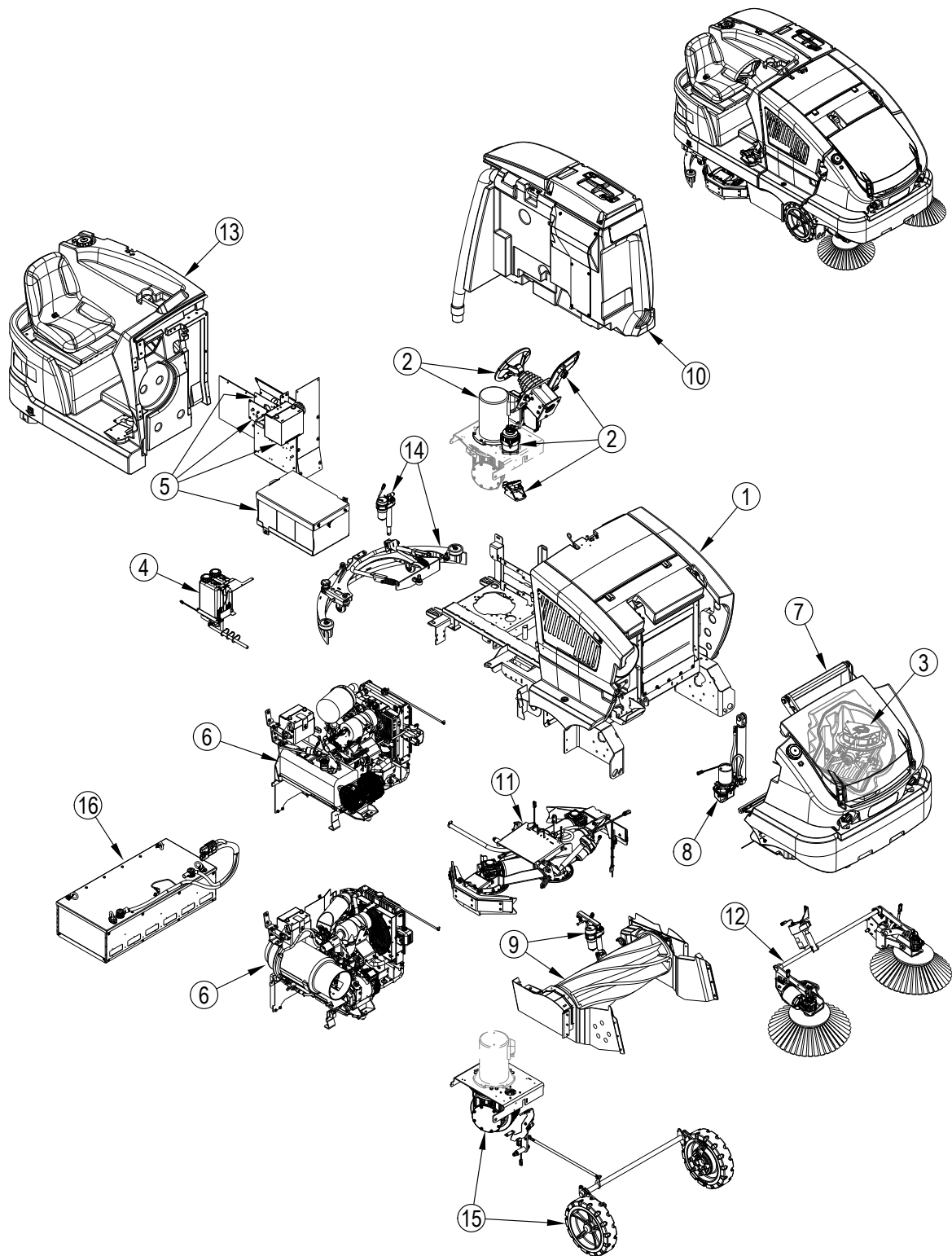
NILFISK

TABLE OF CONTENTS

General View	1
Broom Selector Guide	3
Brush Selector Guide	5
Chassis System-Battery	7
Chassis System-Engine Cover Assembly	10
Chassis System-Front Engine Cover Assembly	12
Chassis System-GASOLINE-PETROL-LPG & DIESEL	14
Chassis System-Left Cover Assembly	17
Chassis System-Pull Rod Assembly	19
Chassis System-Right Door Assembly	21
Control System	23
Ecoflex Assembly	26
Control System-Steering Assembly	28
Decal System	30
Diesel Fuel Tank Assembly	32
Dust Control System	34
Electrical System	36
Electrical System-Circuit Breaker Panel Assembly	39
Electrical System-Contactor Panel Assembly	41
Engine Assembly-Diesel-After December 2018	43
Engine Assembly-Diesel-before January 2019	46
Engine Assembly-GASOLINE-PETROL	49
Engine Assembly-LPG LEV	52
Engine Base-Replacement Parts-LPG LEV	54
Engine Sub Assembly-Diesel-After December 2018	56
Engine Sub Assembly-Diesel-before January 2019	59
Engine Sub Assembly-GASOLINE-PETROL	62
Engine System-Diesel	65
Engine System-GASOLINE-PETROL	68
Engine System-LPG LEV	71
HYDRAULIC SYSTEM – ORFS EQUIPPED MACHINES	74
Li-on Battery System	76
GASOLINE-PETROL Tank Assembly	78
Hopper System-1	80
Hopper System-2	83
Hydraulic System-37 FLARE EQUIPPED MACHINES	86
Ladder Diagram Kubota Gasoline-Petrol Engine System	88
Ladder Diagram-1	90
Ladder Diagram-2	92
Ladder Diagram-3	94
Ladder Diagram-4	96
Ladder Diagram-5	98
Ladder Diagram-6	100
Ladder Diagram-Kubota Diesel Engine System	102

TABLE OF CONTENTS

Ladder Diagram-Kubota LEV Engine System-1	104
Ladder Diagram-Kubota LEV Engine System-2	106
Ladder Diagram-Trackclean connections	108
Left Side Broom Arm Assembly	110
LPG Tank Assembly	112
Main Broom System	114
Optional Kits & Accessories	117
Power Unit-LPG LEV	120
Recommended Spare Parts	122
Recovery System	126
Right Side Broom Arm Assembly	129
Scrub System-Left Skirt Assembly	131
Scrub System-Right Skirt Assembly	133
Scrubbing System-1	135
Scrubbing System-2	137
Side Broom System	140
Solution System-1	143
Solution System-2	145
Squeegee Assembly	147
Squeegee Blade selector Guide	149
Squeegee System	151
Wheel System	153
Wheel System-Brake Linkage Assembly	155
56125001_LITHIUM-ION BASE KIT-CS7010	157
56125002_LI ION MODULE KIT-2X-CS7010	159
56125003_LITHIUM ION EXP KIT-CS7010	161
56385366 MOTOR REPAIR KIT	163
56385433 STEERING SHAFT KIT	165
56394069 - 2 PIECE - CLAMP COLLAR KIT	167
56394447 GEARBOX REPLACEMENT KIT	169
56509975 - LOW CLEARANCE OVERHEAD GUARD KIT	171
56510424 - SOLUTION AUTO FILL KIT	173
56511841 DUST GUARD KIT	175
56511843 Back-up Alarm Kit	177
56511851 Beacon Kit	179
56511858 - BRAKE LIGHT-TURN SIGNAL KIT	181
56511871 TRACKCLEAN CS7010 KIT	183
56511872 TRACKCLEAN CS7010 KIT	185
56511916,56511917,56511918 - Radiator kit	187
56511968 - SensorSweepKit	189
REPLACING MAIN BROOM MOTOR CARBON BRUSHES	191



Pos.	Artikelnummer	Hoeveelheid	Omschrijving	Notes
1		1	Chassis System	
2		1	Control System	
3		1	Dust Control System	
4		1	Ecoflex™ Assembly	
5		1	Electrical System	
6		1	Engine Systems	
7		1	Hopper System	
8		1	Hydraulic System	
9		1	Main Broom System	
10		1	Recovery System	
11		1	Scrub System	
12		1	Side Broom System	
13		1	Solution System	
14		1	Squeegee System	
15		1	Wheel System	
16		1	Li-on Battery System	

BROOM SELECTOR GUIDE

CYLINDRICAL BRUSH APPLICATION GUIDE (SUGGESTION ONLY)

Application	46 Grit	80 Grit	180 Grit	Polypropylene	Stiff Nylon	Soft Nylon
Stripping:						
Concrete	X	X				
Terrazzo	X	X				
Ceramic/Quarry tile		X				
Vinyl tile		X				
General Scrubbing:						
Concrete	X	X	X	X	X	
Terrazzo			X	X	X	X
Ceramic/Quarry tile			X	X	X	X
Marble			X		X	X
Vinyl tile			X	X	X	X
Raised-rubber tile			X			X

Main Broom: 56394458 Prolene & Wire (STD.) (6 Double Rows)

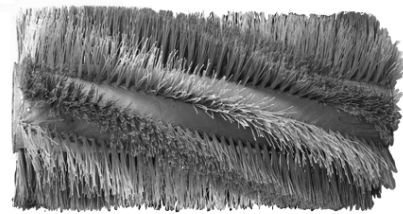
This broom has a more aggressive cleaning action, used to pick up heavier debris.

33018857 Prolene (Optional) (6 Double Rows)

A top quality synthetic fiber. This filament is made for a wide variety of applications. Retains its stiffness when wet and resists abrasive chemicals, solvents and oils. A general purpose material offering high performance for a wide range of applications.

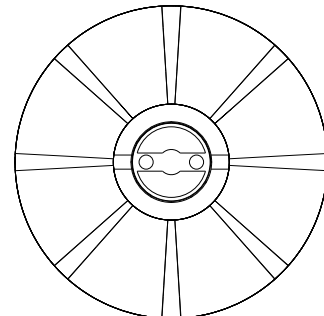
33018856 Nylon (Optional) (6 Double Rows)

General purpose broom that can be used for all types of light soil. High wear material so uneven surfaces do not cause excessive wear. Nylon has a high heat deflection temperature, is chemical resistant and will absorb water in wet conditions. Truly a general purpose broom.



6 Double Row

Length..... 35.43" (90 cm)
Diameter.... 12.20" (31 cm)



Side Broom: 56510707 Polypropylene (STD.)

The side broom function is to sweep the dirt and debris away from the curb, wall, pallet, etc. into the path of the main broom.



Diameter..... 22" (56 cm)

Pos.	Artikelnummer	Hoeveelheid	Omschrijving	Notes
	56394458	1	MAIN BROOM-SPIRAL	
	33018857	1	Hoofdborstel Spiraal PPL 0.5	
	33018856	1	Hoofdborstel Spiraal Nylon 1.2	
	56510707	1	ZIJBORSTEL POLY	

BRUSH SELECTOR GUIDE

We provide brushes and pad holders that will give you the best possible performance between machine and floor. Following are descriptions of the materials and their applications.

- ProLite: Bristles are made from light-duty polypropylene for general scrubbing when you do not want to scratch or remove finish from the floor. Recommended for use in place of red pads.
- Prolene: Polypropylene material for medium-duty scrubbing on concrete, terrazzo and vinyl floor tile. Recommended for use in place of green or blue pads.
- Union Mix: Medium grade natural fibers for polishing finished floors with standard-speed equipment. Recommended for use in place of white pads.
- AgLite Grit 500: For light scrubbing when used wet; buffing or polishing when used dry on urethane coated, sealed concrete or other resilient hard surface floors. Recommended for use in place of red or white pads.
- MidGrit 240: For general purpose scrubbing when you need a lighter action for sealed or unsealed concrete, stone, terrazzo, quarry tile and other resilient hard floor surfaces. Recommended for use in place of green or blue pads.
- MidLite Grit 180: For general purpose scrubbing of sealed or unsealed concrete, stone, terrazzo, quarry tile and other resilient hard floor surfaces. Recommended for use in place of green or blue pads.
- Dyna Grit 80: For aggressive, heavy-duty scrubbing or stripping of floors. Recommended for use in place of brown pads.
- Magna Grit 46: For extreme heavy-duty scrubbing or stripping of floors. This brush has extra large diameter silicon carbide grit impregnated synthetic bristles. Recommended for use in place of black pads.
- Short Trim Pad Holder: Made with a structural foam block and center ring for correct pad centering. It has a "shower feed" design for getting solution to the floor.

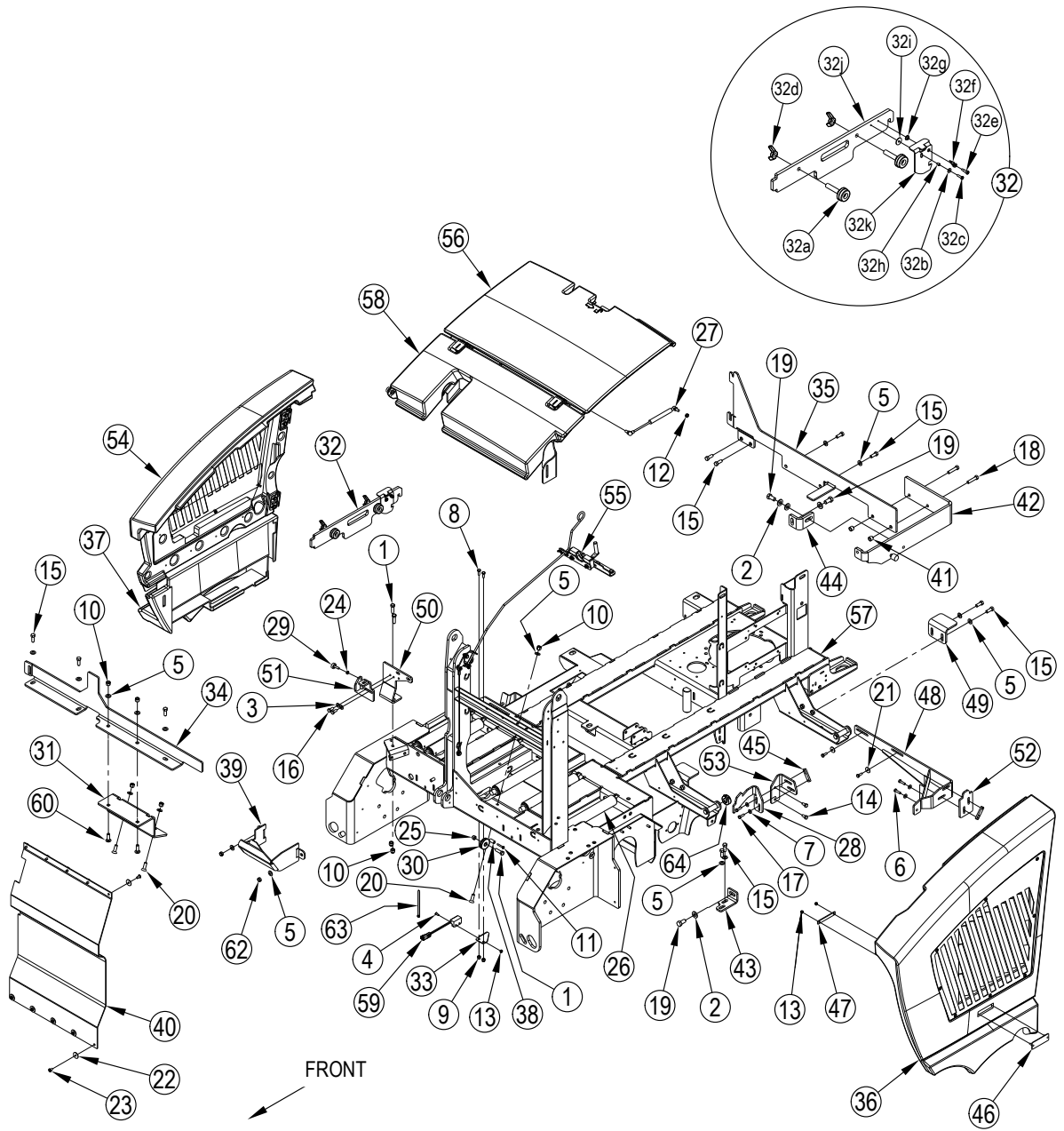
BRUSHES

- 56505780 - Short Trim Pad Holder
- 56505195 - Pad Retainer for 56505800
- 56505785 - ProLite
- 56505784 - Prolene
- 56505786 - Union Mix
- 56505783 - AgLite Grit 500
- 56505787 - MidGrit 240
- 56505788 - MidLite Grit 180
- 56505782 - Dyna Grit 80
- 56505781 - Magna Grit 46

DISC BRUSH APPLICATION GUIDE (SUGGESTION ONLY)

	46	80	180	240	500			Union
Application	Grit	Grit	Grit	Grit	Grit	Prolene	ProLite	Mix
Stripping:								
Concrete	X	X						
Terrazzo	X	X						
Ceramic/Quarry tile		X						
Vinyl tile		X						
General Scrubbing:								
Concrete	X	X	X	X		X		
Terrazzo			X	X	X	X		
Ceramic/Quarry tile			X	X	X	X		
Marble					X		X	
Vinyl tile			X		X	X		
Raised-rubber tile					X		X	
Polishing:								
Raised Disc Tile								X
Marble								X
Vinyl tile								X

Pos.	Artikelnummer	Hoeveelheid	Omschrijving	Notes
	56505780	1	Padhouder 17 inch	
	56505195	1	Sluitplaat padhouder	
	56505785	1	Borstel 17 inch prolite	
	56505784	1	Borstel 17 inch prolene	
	56505786	1	Borstel 17 inch union mix	
	56505783	1	Borstel 17 inch aglite 500 D430	
	56505787	1	Borstel 17 inch midgrit	
	56505788	1	BORSTEL 17 INCH MIDLITE	
	56505782	1	Borstel 17 inch Dynagrit	
	56505781	1	BORSTEL 17 INCH MAGNAGRIT	

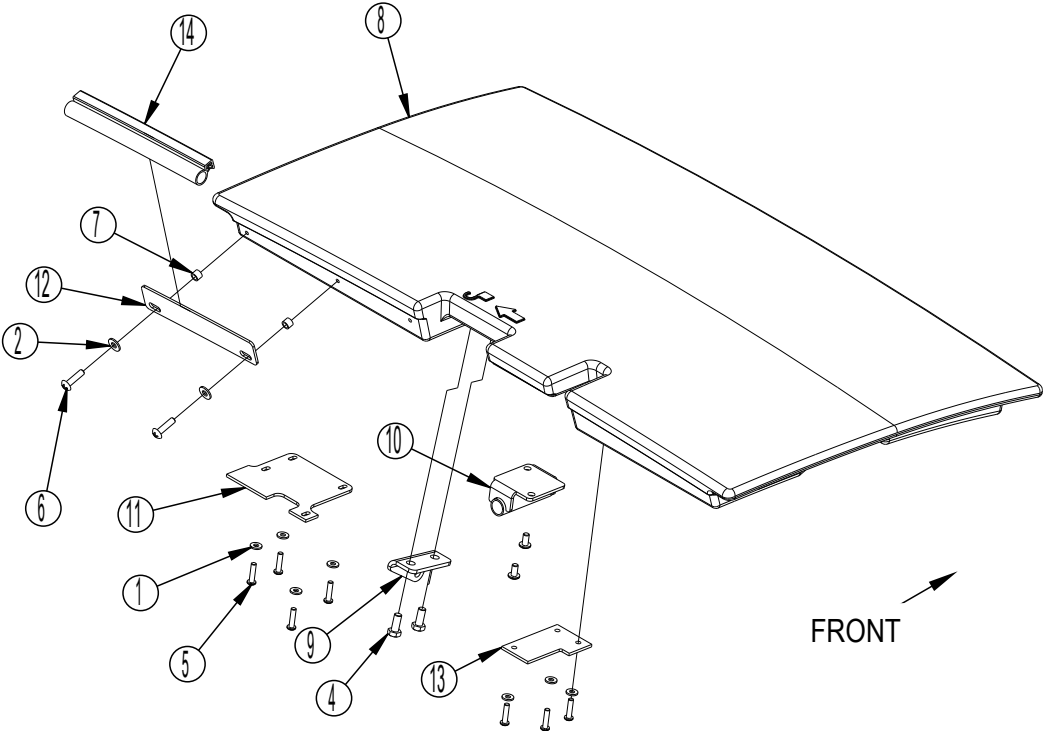


Pos.	Artikelnummer	Hoeveelheid	Omschrijving	Notes
1		3	Scr-Hex 3/8-16 X 1.25	[1]
2		4	Wsh-Flt Sae 1/2	[2]
3		2	Wsh, Flt Sae 5/16	[3]
4		1	Scr-Pan Phil 10-24 X .50	[1]
5		18	Wsh, Flt Sae 3/8	[2]
6		2	Scr-Hex 1/4-20 X 1.00	[1]
7		4	Wsh, Flt Sae 1/4	[1]
8		4	Scr-Hex 1/4-20 X .75	[1]
9		2	Nut, Hex Nyl Loc 1/4-20	[1]
10		7	Nut-Hex Nyl Loc 3/8-16	[2]
11		1	Scr-Pan Phil 10-24 X 1.25	[1]
12		2	Nut, Hex Nyl Loc-Thin 5/16-18	[1]
13		3	Nut, Hex Nyl Loc-Thin 10-24	[1]
14		2	Scr-Hex Hd Loc 5/16-18x.62	[1]
15		13	Scr-Hex Hd Loc 3/8-16x1.00	[2]
16		2	Scr-Hex Hd Loc 5/16-18x.75	[3]
17		2	Scr-Hex Hd Loc 1/4-20x.88	[1]
18		2	Scr-Hex Hd Loc 3/8-16x1.75	[2]
19		3	Scr-Hex Hd Loc 1/2-13x1.00	[2]
20		3	Scr-Flt Soc Ss 3/8-16 X 1.25	[2]
21		2	Wsh, Flt .266 X .906 X .060	[1]
22		10	Wsh-Flt Ss .260 X 1.000 X .074	[4]
23		10	Scr, Pan Phil Thd Form 1/4-20 X .50	[2]
24		1	Nut, Hex Jam 1/4-20	[1]
25	56232181	1	Bus	
26	56303228	6	roller assembly	
27	56314206	1	Gas spring	
28	56382941	1	HANGER-SIDE PANEL	
29		1	Leg Leveler 1/4-20	[5]
30	56416546	1	SHIELDED PULLEY	
31		1	Bracket - Rollers	[6]
32	56509755	1	PLATE ASM-BATTERY STOP	
32a	56449221	2	BUMPER 1.43 DIA. CV660N	
32b	56001954	1	Schroef	
32c	56002192	1	Schroef	
32d	56003289	2	NUT WING 1 1/2-13	
32e	56003537	1	SCR SOC SHD .250X.38X10-24	
32f	56245060	1	SPRING TOR .38X2 FC486B	
32g	56303284	1	BEARING FL .375X.250X.188	
32h	56369004	1	Bus CV82J	
32i	56413875	1	WASHER TEFLON .21X.88X.045	
32j	56509756	1	PLATE-BATTERY STOP	
32k	56509757	1	LATCH-BATTERY STOP	
33	56509758	1	BRACKET-SWITCH MOUNT	
34		1	Battery Guide-Front	[6]
35		1	Battery Guide Weldt	[6]
36	56509851	1	LEFT COVER ASSY	
37	56509881	1	LOWER COVER-RT	
38	56509982	1	BUSHING .200 X .375 X .88	
39	56510125	1	GUARD-RESERVOIR	
40		1	Shield-Dust	[7]
41		2	Bushing-.400 X .625 X .50	[6]
42		1	Battery Stop Weldt	[6]
43	56510537	1	BRACKET	
44		1	Bracket	[6]
45	56510587	2	NUT PLATE	
46	56510751	1	COVER PLATE ASSY	
47	56510752	1	RETAINER-COVER PLATE	

Pos.	Artikelnummer	Hoeveelheid	Omschrijving	Notes
48	56511124	1	COVER HANGER WELDT	
49	56511149	2	BRACKET TANK STOP	
50	56511153	1	SUPPORT-PANEL	
51		1	Bracket	[5]
52	56511168	1	PLATE	
53	56511172	1	BRACKET	
54	56511182	1	RIGHT DOOR ASSY	
55	56511183	1	PULL ROD ASSY	
56	56511184	1	ENGINE COVER ASSY	
57		1	Chassis Weldment	[8]
57		1	Chassis Weldment	[9]
58	56511740	1	FRONT ENGINE COVER ASSY	
59	56511830	1	SENSOR-PROXIMITY	
60		2	3/8-16 X 1.0", Carriage Bolt	[6]
62		2	Nut Hex Nyl Loc-Thin 3/8-16	[1]
63	2-00-04345	1	15.35 In Kabelband Blk Nylon	
64		1	Collar-Clamp-2 Piece	[10]
			Service Kits	
K1	56510735	1	DUST SHEILD KIT-HOPPER	[11]
K2	56511888	1	HARDWARE KIT-CHASSIS SYS	
K3	56509013	1	Deurslot rechts	
K4	56510838	1	Batterijgeleider kit	
K5	56394069	1	CLAMP COLLAR KIT-2 PIECE	[12]

Part Notes:

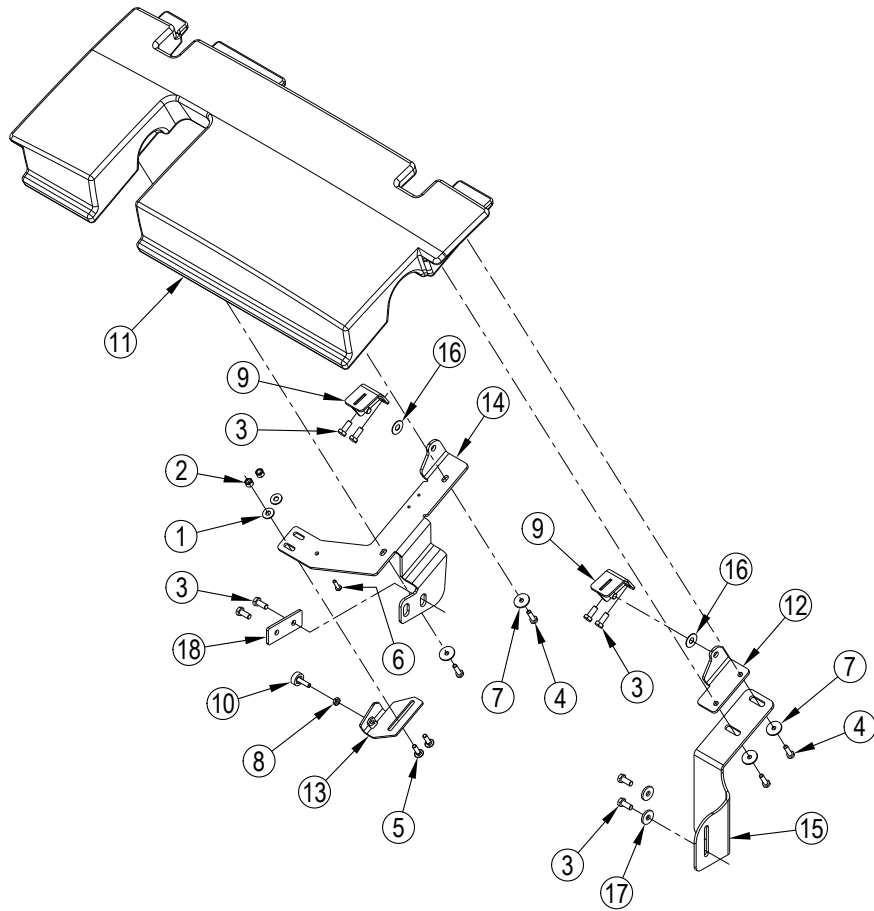
- [1] - K2
- [2] - K2,K4
- [3] - K2,K3
- [4] - K1,K2
- [5] - K3
- [6] - K4
- [7] - K1
- [8] - 7 Lug Traction Drive Gearbox and Drive Wheel used on machines after serial number 1000073660.
- [9] - 5 Lug Traction Drive Gearbox and Drive Wheel used on machines before serial number 1000073661.
- [10] - K5
- [11] - TSB-FC-2019-008 CS7010 Alternator-Generator Cable Routing
DE TSB-FC-2019-008 CS7010 Neue Kabelverlegung vom Generator
- [12] - TSB-FC-2019-007 CS7000_CS7010 Exhaust Heat Shield Interference Rev B
DE TSB-FC-2019-007 CS7000 CS7010 Neuer Abstandhalter für Schmutzwassertank Rev B



Pos.	Artikelnummer	Hoeveelheid	Omschrijving	Notes
	56511184	1	ENGINE COVER ASSY	
1		7	Wsh, Fit SAE #10	[1]
2		2	Wsh, Fit SAE 1/4	[1]
3		2	Scr, Pan Phil Loc 1/4-20 X .62	[2]
4		2	Scr, Hex Hd Loc 5/16-18x.75	[2]
5		7	Scr, Pan Phil Plastite 10-14 X .88	[1]
6		2	Scr, Pan Phil SS Type Ab 10-16x1.00	[1]
7		2	Bushing .26 x .50 x .25	[1]
8	56509404	1	COVER-ENGINE-REAR	
9		1	Bracket-Gas Spring	[2]
10		1	Latch Strike Weldt	[2]
11		1	Shield	[1]
12		1	Plate-Seal	[1]
13		1	Shield	[1]
14		1	Gasket-Bulb Seal-6.75 In	[1]
			Service Kits	
K1	56510840	1	SEAL KIT-ENGINE COVER	
K2	56510841	1	LATCH STRIKE KIT	

Part Notes:

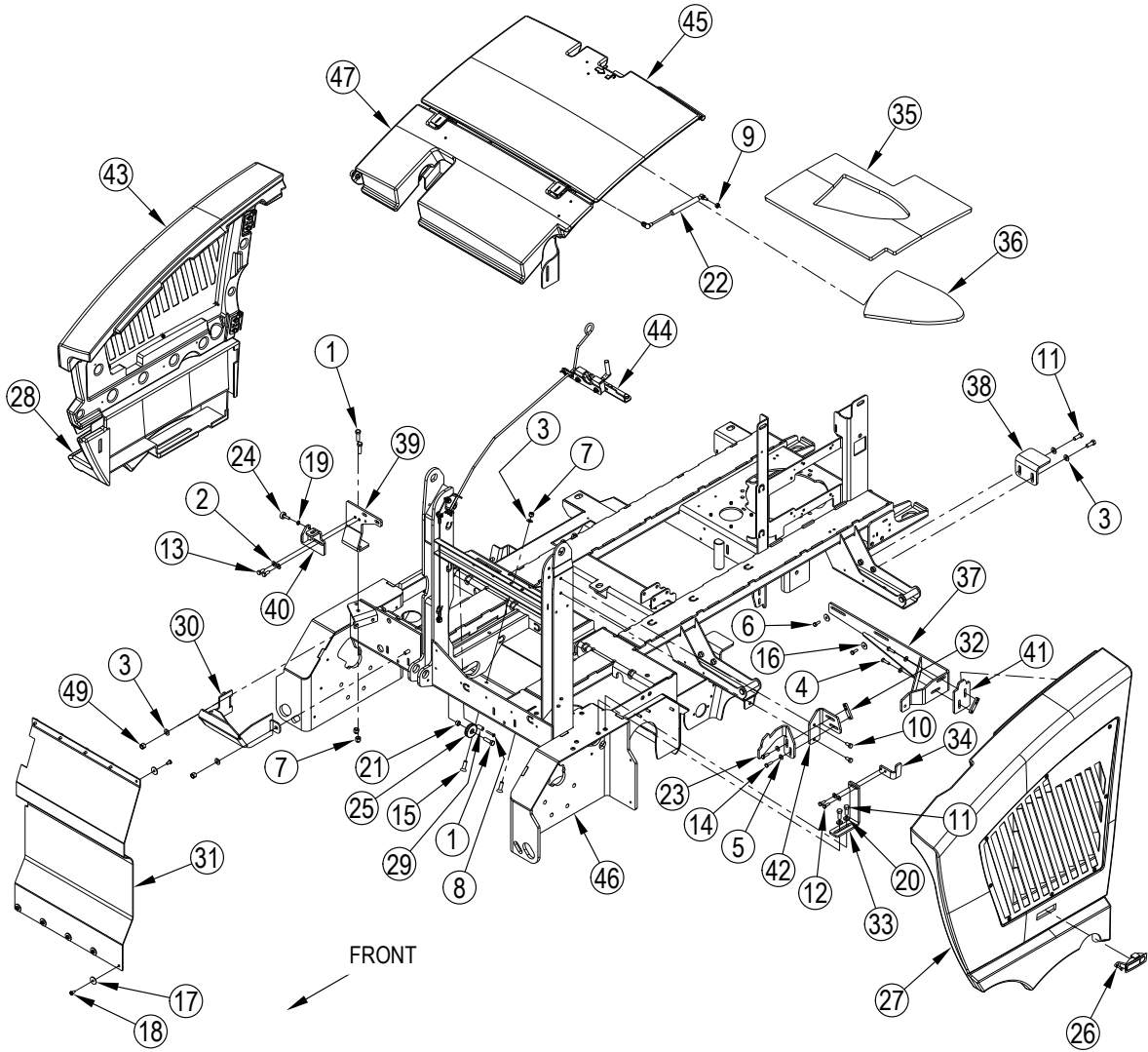
- [1] - K1
 [2] - K2



Pos.	Artikelnummer	Hoeveelheid	Omschrijving	Notes
	56511740	1	FRONT ENGINE COVER ASSY	
1		2	Wsh, Flt Std 1/4	[1]
2		2	Nut, Hex Nyl Loc 1/4-20	[1]
3		8	Scr-Hex Hd Loc 5/16-18x.75	[1]
4		4	Scr Hex Loc-1/4-20 X 0.75	[1]
5		2	Scr-Carriage 1/4-20 X .88	[1]
6		1	Scr, Pan Phil SS Type Ab 10-16 X .75	[1]
7		4	Wsh, Flt SS .260 X 1.000 X .074	[1]
8		1	Nut, Hex Jam 1/4-20	[1]
9		2	Hinge Weldt	[1]
10		1	Leg Leveler 1/4-20	[1]
11	56509403	1	COVER-ENGINE-FRONT	
12		1	Bracket-Engine Cover	[1]
13		1	Latch Bracket Weldt	[1]
14		1	Bracket-Support-Cover	[1]
15		1	Bracket-Support-Cover	[1]
16		2	Washer 3/8PL.Nylon	[1]
17	56009122	2	Sluitring	[1]
18	56511924	1	PLATE-BRACKET RETAINER	[1]
			Service Kits	
K1	56383002	1	FRONT ENGINE COVER HINGE KIT	

Part Notes:

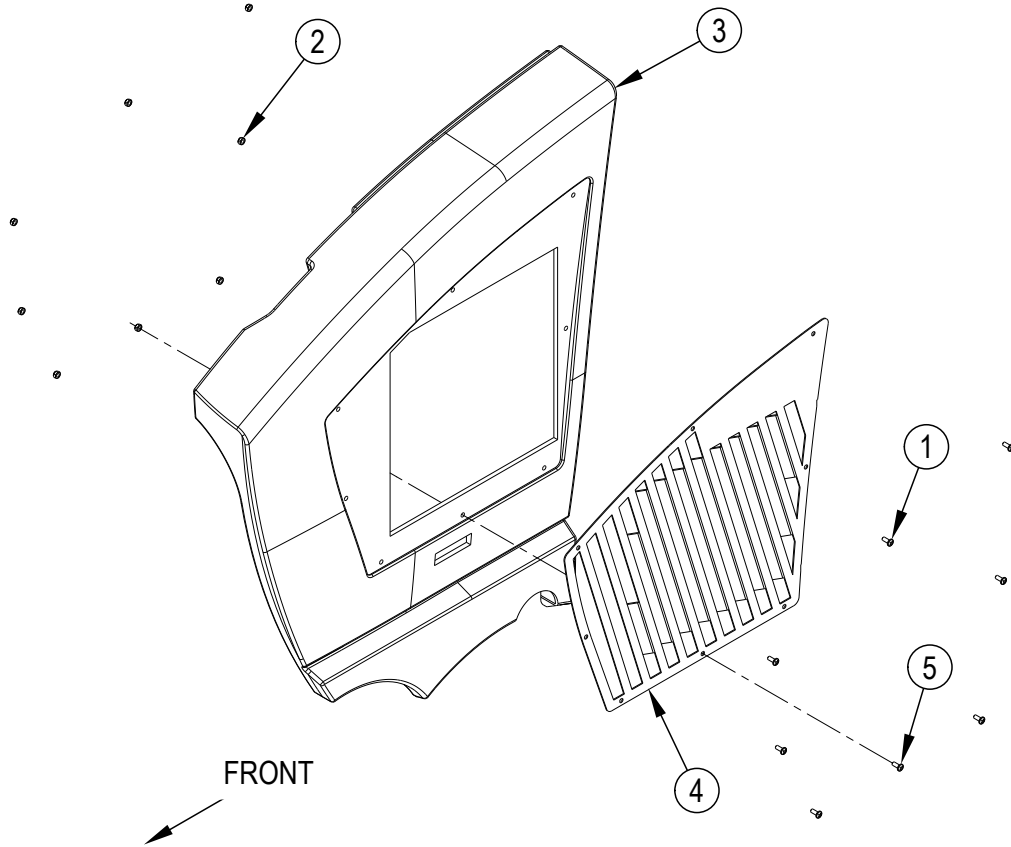
[1] - K1



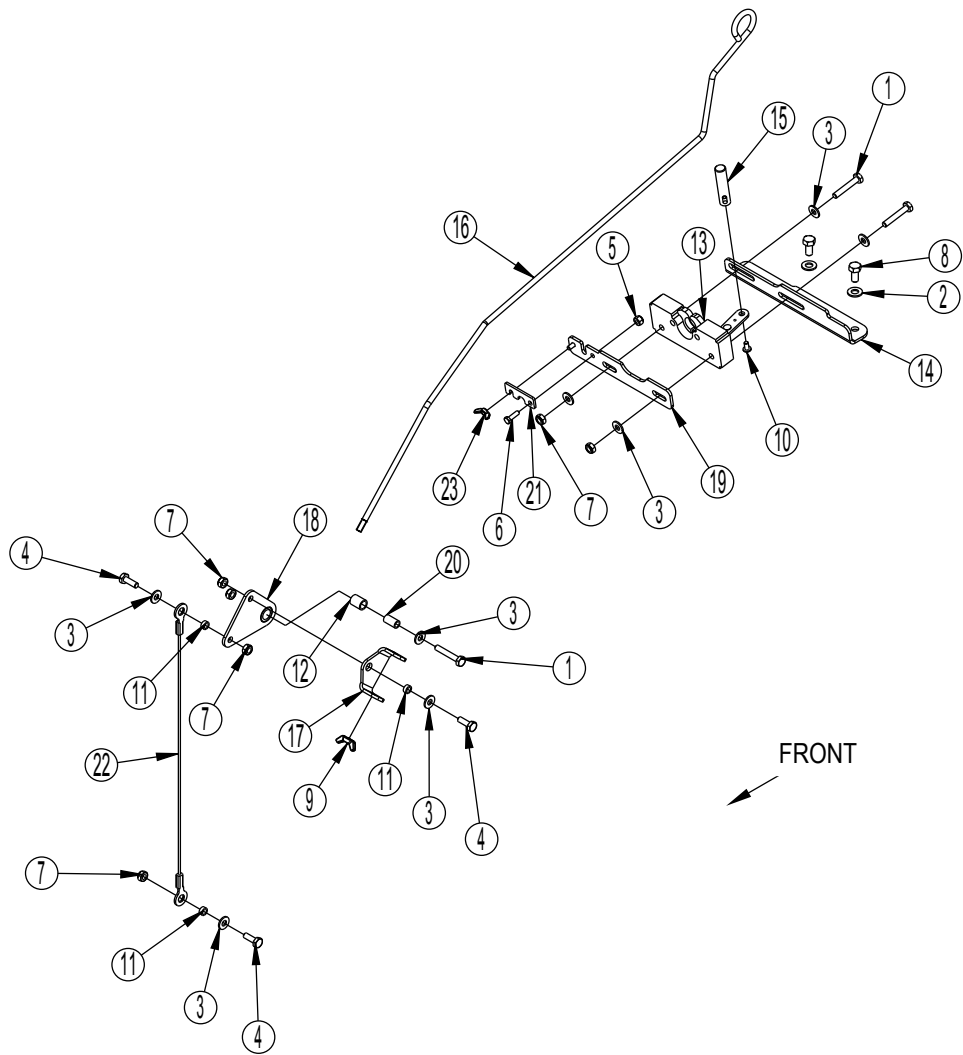
Pos.	Artikelnummer	Hoeveelheid	Omschrijving	Notes
1		3	Scr-Hex 3/8-16 X 1.25	[1]
2		2	Wsh, Flt Sae 5/16	[2]
3		8	Wsh, Flt Sae 3/8	[1]
4		2	Scr-Hex 1/4-20 X 1.00	[1]
5		6	Wsh, Flt Sae 1/4	[1]
6		2	Scr-Hex 1/4-20 X .75	[1]
7		4	Nut-Hex Nyl Loc 3/8-16	[1]
8		1	Scr-Pan Phil 10-24 X 1.25	[1]
9		2	Nut, Hex Nyl Loc-Thin 5/16-18	[1]
10		2	Scr-Hex Hd Loc 5/16-18x.62	[1]
11		6	Scr-Hex Hd Loc 3/8-16x1.00	[1]
12		2	Scr-Hex Hd Loc 1/4-20x.75	[1]
13		2	Scr-Hex Hd Loc 5/16-18x.75	[2]
14		2	Scr-Hex Hd Loc 1/4-20x.88	[1]
15		2	Scr-Flt Soc Ss 3/8-16 X 1.25	[1]
16		2	Wsh, Flt .266 X .906 X .060	[1]
17		10	Wsh-Flt Ss .260 X 1.000 X .074	[2]
18		10	Scr, Pan Phil Thd Form 1/4-20 X .50	[2]
19		1	Nut, Hex Jam 1/4-20	[2]
20		2	Wsh-Flt .406x.750x.090	[1]
21	56232181	1	Bus	
22	56314206	1	Gas spring	
23	56382941	1	HANGER-SIDE PANEL	
24		1	Leg Leveler 1/4-20	[3]
25	56416546	1	SHIELDED PULLEY	
26	56418471	1	Door latch	
27	56509851	1	LEFT COVER ASSY	
28	56509881	1	LOWER COVER-RT	
29	56509982	1	BUSHING .200 X .375 X .88	
30	56510125	1	GUARD-RESERVOIR	
31		1	Shield-Dust	[4]
32	56510587	2	NUT PLATE	
33	56510717	1	BRACKET	
34	56510723	1	STRIKE-LATCH	
35	56510749	1	FOAM INSULATION	
36	56510750	1	FOAM INSULATION	
37	56511124	1	COVER HANGER WELDT	
38	56511149	2	BRACKET TANK STOP	
39	56511153	1	SUPPORT-PANEL	
40		1	Bracket	[3]
41	56511168	1	PLATE	
42	56511172	1	BRACKET	
43	56511182	1	RIGHT DOOR ASSY	
44	56511183	1	PULL ROD ASSY	
45	56511184	1	ENGINE COVER ASSY	
46		1	Chassis Weldment	[5]
46		1	Chassis Weldment	[6]
47	56511740	1	FRONT ENGINE COVER ASSY	[1]
49		2	Nut Hex Nyl Loc-Thin 3/8-16	[1]
50		1	Collar-Clamp-2 Piece	[7]
			Service Kits	
K1	56510735	1	DUST SHEILD KIT-HOPPER	[8]
K2	56511888	1	HARDWARE KIT-CHASSIS SYS	
K3	56509013	1	Deurslot rechts	
K4	56394069	1	CLAMP COLLAR KIT-2 PIECE	[9]

Part Notes:

- [1] - K2
- [2] - K2,K3
- [3] - K3
- [4] - K1
- [5] - 5 Lug Traction Drive Gearbox and Drive Wheel used on machines before serial number 1000073661
- [6] - 7 Lug Traction Drive Gearbox and Drive Wheel used on machines after serial number 1000073660.
- [7] - K4
- [8] - TSB-FC-2019-008 CS7010 Alternator-Generator Cable Routing
DE TSB-FC-2019-008 CS7010 Neue Kabelverlegung vom Generator
- [9] - TSB-FC-2019-007 CS7000_CS7010 Exhaust Heat Shield Interference Rev B
DE TSB-FC-2019-007 CS7000 CS7010 Neuer Abstandhalter für Schmutzwassertank Rev B



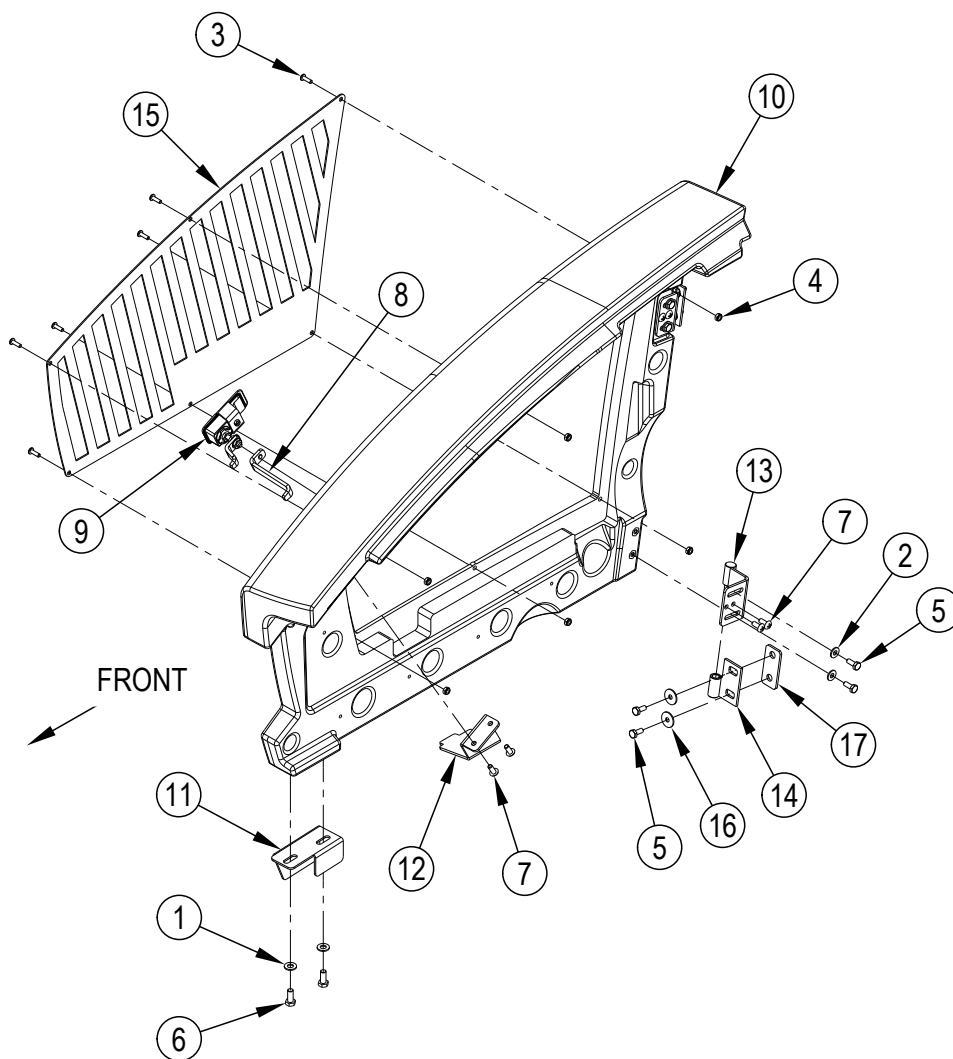
Pos.	Artikelnummer	Hoeveelheid	Omschrijving	Notes
	56509851	1	LEFT COVER ASSY	
	56394357	1	LEFT COVER ASSY-FUEL CELL	
1	56002989	8	Schroef SS 1/4-20 x .62	
2	56002850	8	NUT HEX NYL LOC-THIN SS 1/4-20	
3	56509852	1	COVER-LEFT	
3	56394233	1	COVER-LEFT-FUEL CELL	
4	56510606	1	GRILLE	
5	56003119	1	Schroef	



Pos.	Artikelnummer	Hoeveelheid	Omschrijving	Notes
	56511183	1	PULL ROD ASSY	
1		3	Scr, Hex 1/4-20 X 1.50	[1]
2		2	Wsh, Fit SAE 5/16	[2]
3		8	Wsh, Fit SAE 1/4	[1]
4		3	Scr, Hex 1/4-20 X .75	[3]
5		1	Nut, Hex Nyl Loc 10-24	[2]
6		1	Scr, Hex 10-24 X .62	[2]
7		6	Nut, Hex Nyl Loc-Thin 1/4-20	[1]
8		2	Scr,Hex Hd Loc 5/16-18x.62	[2]
9		1	Nut, Wing Loc 1/4-20	[3]
10		1	Scr, Pan Phil Loc 10-24 X .38	[2]
11		3	Bushing	[3]
12		1	Bearing, .500 X .375 X .625	[3]
13	56304826	1	LATCH LH	[2]
14		1	Bracket-Latch	[2]
15		1	Pin	[2]
16	56509865	1	PULL ROD	
17		1	Yoke-Pull Rod	[3]
18		1	Pivot Weldt	[3]
19		1	Bracket-Pull Rod	[2]
20		1	Bushing-.265 X .375 X .700	[3]
21		1	Retainer-Pull Rod	[2]
22		1	Cable Assy	[3]
23		1	Nut, Wing 10-24	[2]
			Service Kits	
K1	56510732	1	LATCH KIT-ENGINE COVER	
K2	56510733	1	PIVOT KIT-PULL ROD	

Part Notes:

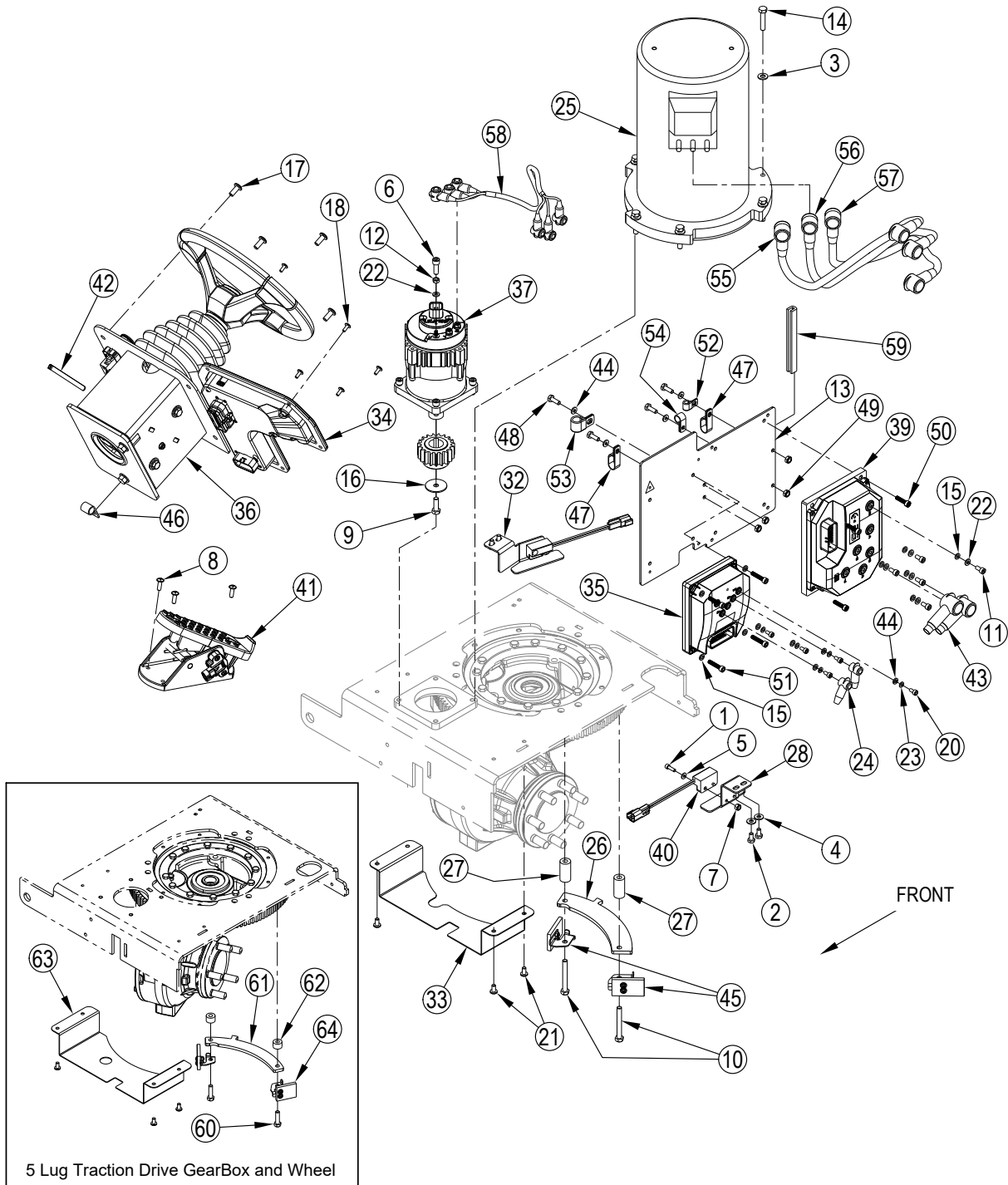
- [1] - K1,K2
 [2] - K1
 [3] - K2



Pos.	Artikelnummer	Hoeveelheid	Omschrijving	Notes
	56511182	1	RIGHT DOOR ASSY	
	56394356	1	RIGHT DOOR ASSY-FUEL CELL	
1		2	Wsh, Fit SAE 5/16	[1]
2		4	Wsh, Fit SAE 1/4	[2]
3	56002896	6	Schroef	
4	56002849	6	Thin nyl loc nut	
5		8	Scr-Hex Hd Loc 1/4-20x.62	[2]
6		2	Scr-Hex Hd Loc 5/16-18x.62	[1]
7		6	Scr Panphil SS Type B 1/4-14 X .62	[3]
8		1	Cam-Latch	[1]
9		1	Latch-Lift & Turn	[1]
10	56509010	1	DOOR-RIGHT	
10	56394246	1	DOOR-RIGHT	[4]
11		1	Bracket-Door	[1]
12		1	Bracket-Bumper	[1]
13		2	Upper Hinge Weldt	[2]
14		2	Lower Hinge Weldt	[2]
15	56510632	1	GRILLE-RIGHT	
16		4	Washer Flat .266x.906x.060	[2]
17	56385405	1		
			Service Kits	
K1	56510789	1	HINGE KIT- RT DOOR	
K2	56509013	1	Deurslot rechts	

Part Notes:

- [1] - K2
- [2] - K1
- [3] - K1,K2
- [4] - Fuel Cell



Pos.	Artikelnummer	Hoeveelheid	Omschrijving	Notes
1		2	Scr-Soc Hd 10-24 X 0.62	[1]
2		4	Scr-Hex 1/4-20 X .50	[1]
3		6	Wsh, Flt Sae 5/16	[2]
4		4	Wsh, Flt Sae 1/4	[1]
5		2	Wsh, Flt Sae #8	[1]
6		4	Scr-Soc Hd 5/16-18 X 0.88	[1]
7		2	Nut, Hex Nyl Loc 10-24	[1]
8		3	Scr-Pan Phil Ss 1/4-20 X .75	[2]
9		1	Scr, Hex Thd To Hd M8-1.25 X 25mm	[1]
10		2	Scr Hex M8x1.25x65 Ss Thd Lck	[3]
11		5	Scr Soc Thd To Hd M6 X 12.0	[1]
12		3	Nut-Hex M6-1	[1]
13	56511715	1	PANEL-CONTROLLER HEAT SINK	
14		6	Scr-Hex Ss M8-1.25 X 40mm	[2]
15		9	Wsh, Flt 6.4m X 11mm X 1.6mm	[1]
16		1	Wsh-Flt Ss .344 X 1.500 X .080	[1]
17		4	Scr-Pan Phil Blk 5/16-18 X .75	[1]
18		5	Scr-Truss Phil Ss Blk10-24x.50	[1]
20		5	Scr Soc M5-0.8x10	[1]
21		4	Scr, Pan Phil Thd Form 1/4-20 X .50	[1]
22		8	Wsh Int Shprf 6mm	[1]
23		5	Wsh Int Shprf 5mm	[1]
24	56409538	2	TERMINAL INSULATOR	
25		1	Motor-Traction	[4]
	56510852	1	SENSOR-SPEED	[5]
	56510853	1	SENSOR-THERMAL	[5]
26	56394555	1		[6]
27	56394553	2		[6]
28	56511959	1	BRACKET-SENSOR MOUNTING-LT	[7]
29	56510210	1	Kabel-U 1 AWG X 13.75	[8]
30	56510211	1	Kabel-V 1 AWG X 16.00	[8]
31	56510212	1	Kabel-W 1 AWG X 19.00	[8]
32	56511960	1	BRACKET-SENSOR MOUNTING-RT	[7]
33	56511140	1	SHIELD-SPLASH	[6]
34	56511588	1	CONTROL BOARD ASSY	[9]
35	56511598	1	CONTROLLER-STEERING MOTOR	[10]
36		1	Tilt Steering Assembly	
37	56511657	1	MOTOR-STEERING	[11]
38	56511667	1	HARNESS-STEERING MOTOR	[8]
39	56511698	1	CONTROLLER-TRACTION DRIVE	[12]
40	56511830	2	SENSOR-PROXIMITY	[13]
41		1	Foot Pedal Assy R4	[14]
42	2-00-04345	1	15.35 In Kabelband Blk Nylon	
43	56493357	2	INSULATOR TERMINAL	
44		9	Wsh Flt Sae 10	
45	56511966	2	SENSOR SWEEP ASSY	[15]
46	56496276	1	CLAMP HOSE SUPPORT	
47	2-00-04603	2	Clamp hose (double) 1/2 o d	
48	56002155	4	SCR HEX 1/4-20 X .75	
49	56002840	4	Moer Hex Nyl Loc Thin 1/4 20	
50	56004057	4		
51	56004058	4		
52	56323260	1	Klem Kabel	
53	56419120	1	CLAMP HOSE SUPPORT 56E00616	
54	56486112	1	STEUN	
55	56394366	1	CABLE-1 AWG X 19.8	
56	56394367	1	CABLE-1 AWG X 18.6	
57	56394368	1	CABLE-1 AWG 16.2	

Pos.	Artikelnummer	Hoeveelheid	Omschrijving	Notes
58	56511667	1	HARNES-STEERING MOTOR	
59	56507905	1	TRIM EDGE	
60		2	Scr-Hex Loc Ss M8-1 X 30mm	[16]
61	56509435	1	CAM-STEERING	[16]
62	56509436	2	SPACER 0.332 X 0.75 X 0.50	[16]
63	56511140	1	SHIELD-SPLASH	[16]
64	56511966	2	SENSOR SWEEP ASSY	[17]
			Service Kits	
K1	56510792	1	FOOT PEDAL KIT	
K2	56394634	1		
K3	56510737	1	MOTOR KIT-DRIVE	
K4	56394632	1		[18]
K5	56511968	1	SENSOR SWEEP KIT	[16]

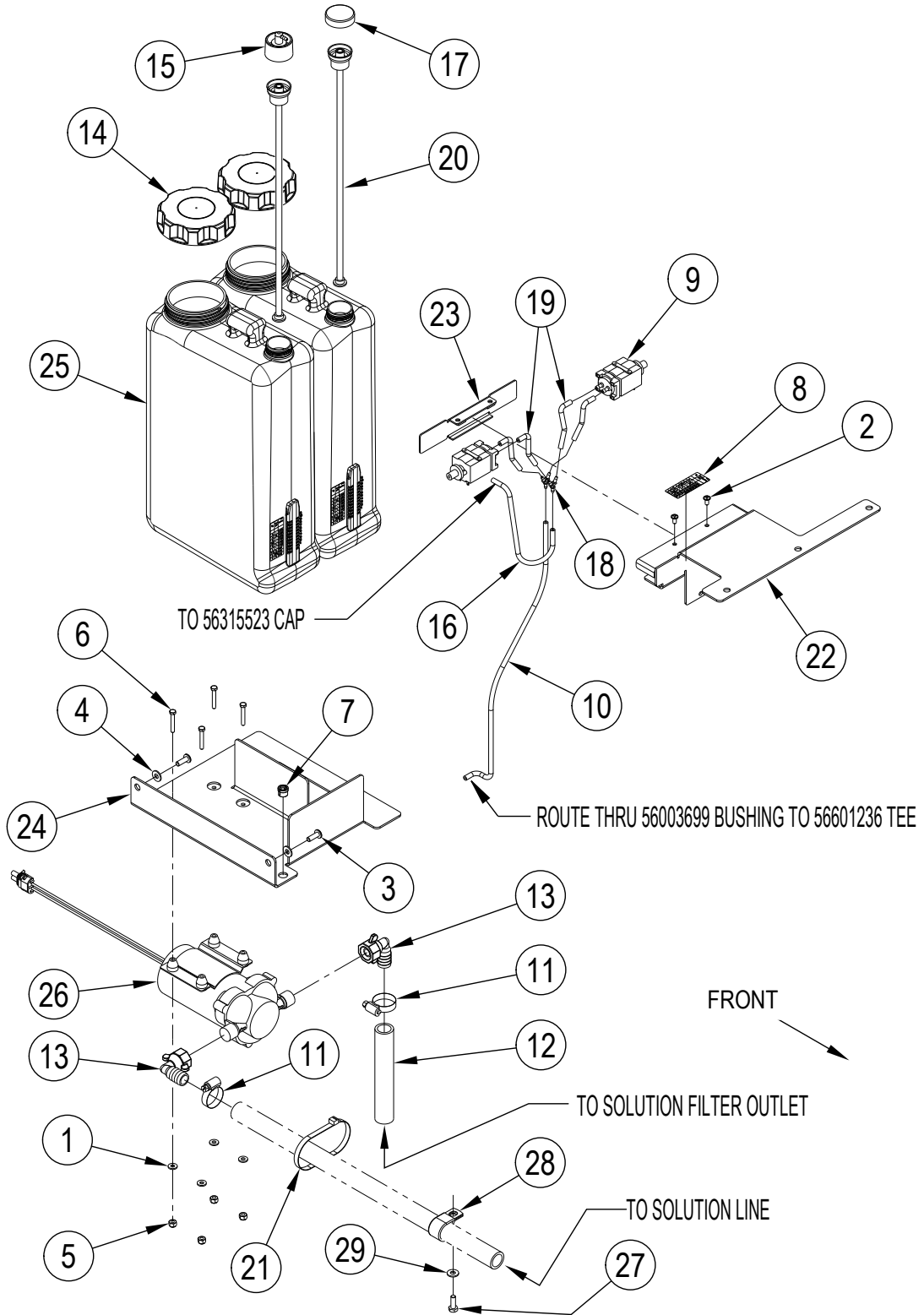
Part Notes:

- [1] - K2
- [2] - K2,K3
- [3] - K2
7 Lug Traction Drive Gearbox and Drive Wheel used on machines after serial number 1000073660.
- [4] - K3 (M9)
- [5] - for 56510737. Not Shown
- [6] - 7 Lug Traction Drive Gearbox and Drive Wheel used on machines after serial number 1000073660.
- [7] - K4
- [8] - Not Shown
- [9] - A1

TSB-FC-2018-007 CS7010 Firmware Rev J Update

DE TSB-FC-2018-007 CS7010 Firmware Rev J Update

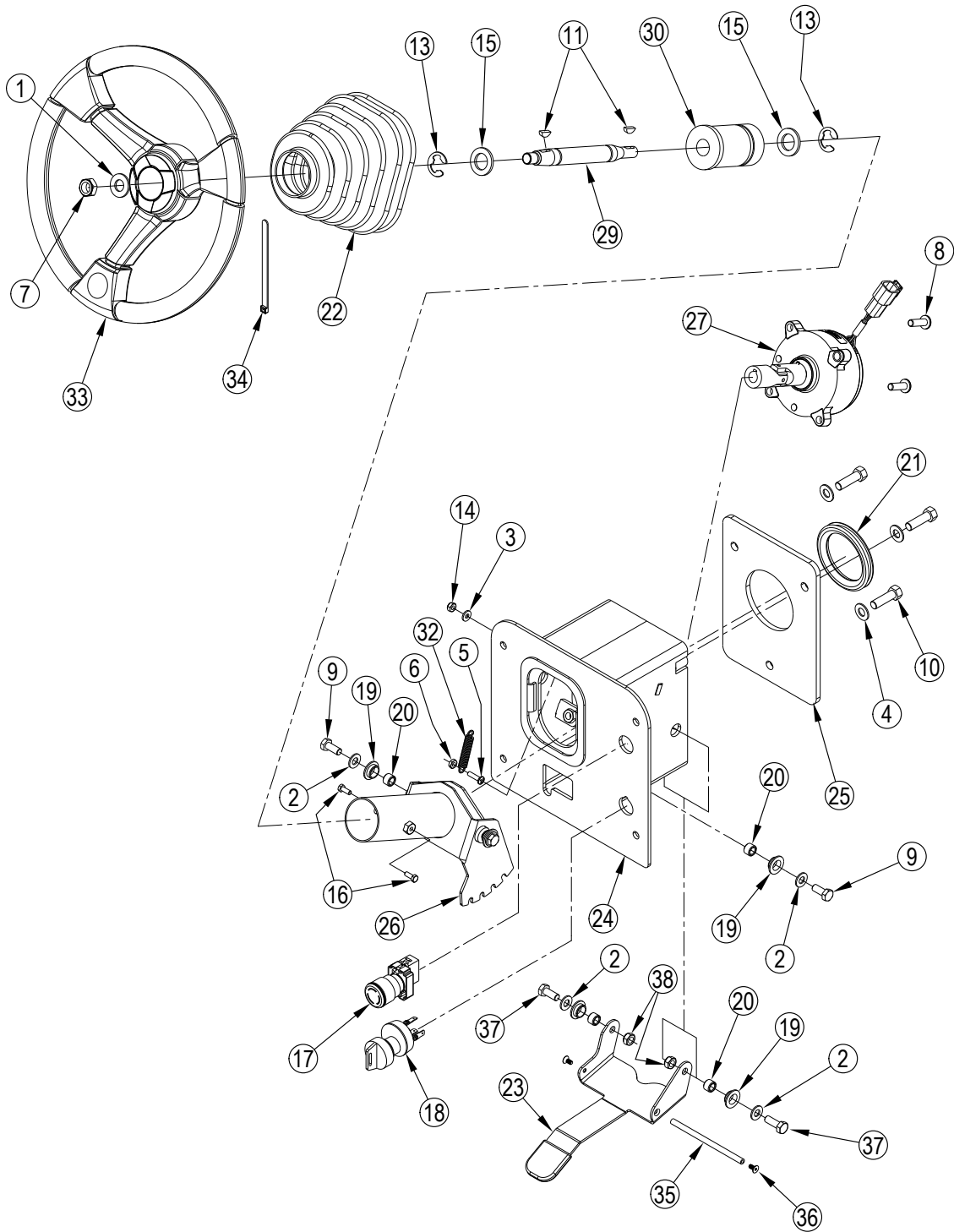
- [10] - A5
- [11] - M10
- [12] - A4
- [13] - SW11 / SW12
- [14] - K1 (R4)
- [15] - K4
7 Lug Traction Drive Gearbox and Drive Wheel used on machines after serial number 1000073660.
- [16] - 5 Lug Traction Drive Gearbox and Drive Wheel used on machines before serial number 1000073661
- [17] - K5
- [18] - TSB-FC-2018-005 CS7010 Steering Sensor Sweep Kit DE TSB-FC-2018-005 CS7010 Neues Lenkanschlagsensor Kit
IS56090355 - SENSOR SWEEP KIT 56511968
56511968 - SensorSweepKit



Pos.	Artikelnummer	Hoeveelheid	Omschrijving	Notes
	56511838	1	ONBOARD CHEMICAL ASSY	[1]
1		4	Wsh, Flt Sae #10	[2]
2		2	Scr-Pan Phil 10-24 X .38	[2]
3		2	Scr-Pan Phil 1/4-20 X .75	[2]
4		3	Wsh, Flt Sae 1/4	[2]
5		4	Nut, Hex Nyl Loc 10-24	[2]
6		4	Scr-Hex 10-24 X 1.25	[2]
7		1	Bushing, 1/4 Id Snub	[2]
8		1	Decal-Chemical Ratio	[2]
9		2	Pump, Detergent, 12v	[3]
10		1	Hose 1/8 Id X 32 Lg	[4]
11		1	Clamp- Hose Sae #12	[5]
12		1	Hose, Spiral .750 X 6"	[5]
13		2	Elbow Poly 1/2 X 3/4	[5]
14		2	Cap, Raw	[6]
15	56315523	1	Kapje dry break, 1/8	
16		1	Hose-Chemical Resistant-7.50	[4]
17		1	Cap, 38mm Buttress	[6]
18		2	Fitting, Y, Barb, .125	[4]
19		4	Hose-Chem Resistant-5.00	[4]
20	56413784	2	Insert dry break	[6]
21		1	Tie, Cable	[5]
22		1	Pump Mnt Weldt	[2]
23		1	Cover Weldt	[2]
24		1	Pump Support Weldt	[2]
25		2	Chemical Bottle Assy	[6]
26	56511834	1	PUMP-36VDC-WATER	[7]
27	56002155	1	SCR HEX 1/4-20 X .75	
28	56303651	1	CLAMP P CL-16	
29	56002098	1	Ring 1/4	
			Service Kits	
K1	56510888	1	Chemiepomp	
K2	56510889	1	BRACKET/HARDWARE KIT	
K3	56510891	1	HOSE/FITTING KIT	
K4	56510892	1	CHEMICAL BOTTLE KIT	

Part Notes:

- [1] - 1-26
- [2] - K2
- [3] - K1
M19/M20
- [4] - K1
- [5] - K3
- [6] - K4
- [7] - M23



Pos.	Artikelnummer	Hoeveelheid	Omschrijving	Notes
1		1	Wsh-Flt Sae 1/2	[1]
2		4	Wsh, Flt Sae 5/16	[2]
3		1	Wsh, Flt Sae #10	[2]
4		3	Wsh, Flt Sae 3/8	[2]
5		1	Scr-Pan Phil 10-24 X .62	[2]
6		1	Nut Hex Machine 10-24	[2]
7		1	Nut, Hex Nyl Loc-Thin 1/2-13	[1]
8		3	Scr-Pan Phil Loc 5/16-18 X 1.00	[2]
9		2	Scr-Hex Hd Loc 5/16-18x.75	[2]
10		3	Scr-Hex Hd Loc 3/8-16x1.25	[2]
11		2	Key, Wdf .62 X .19	[3]
13		2	Circlip Xeb .750	[1]
14		1	Nut-Hex Machine 10-24	[2]
15		2	Wsh, Flt .754 X 1.250 X .120	[1]
16		2	Scr Hex Loc 10-24 X .50	[2]
17	56104247	1	DISCONNECT-EMERGENCY	
18	56111109	1	Key switch assembly	
19	56413211	4	Spacer Nylon	
20	56413801	4	Bushing .32x.50x.35	
21	56459362	1	GROMMET E00059	
22	56509255	1	BOOT-STEERING	
23	56511602	1	TILT LEVER WELDMENT	
24	56511603	1	STEERING MOUNT WELDMENT	
25	56511604	1	BRACKET-STEERING COVER-REAR	
26	56511610	1	STEERING COLUMN WELDMENT	
27	56394105	1	TFD/U-JOINT ASSY	[4]
29		1	Shaft-Steering	[5]
30		1	Bushing-Steering	[6]
32	56511756	1	SPRING-EXTENSION-0.37X2.00IN	
33	56511869	1	STEERING WHEEL	
34	56383974	1	CABLE TIE-BLACK-15 INCH	
35	56511942	1	BAR-LOCKING	
36		2	Scr-Fit-Soc-F835-8-32x.38-Blk	[2]
37	56002037	2	BOUT 5/16 18 X .88	
38	56002826	2	NUT HEX NYL LOC-THIN 5/16-18	
			Service Kits	
K1	56511892	1	HARDWARE KIT-STEERING ASSY	
K2	56511893	1	STEERING SHAFT KIT	
K3	56511963	1	SHAFT-STEERING	

Part Notes:

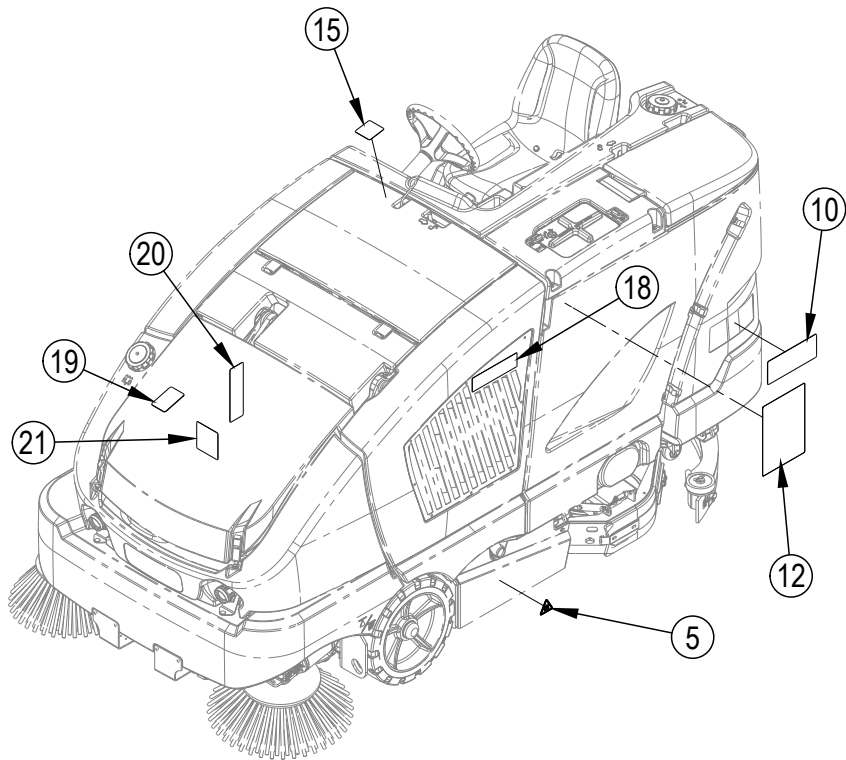
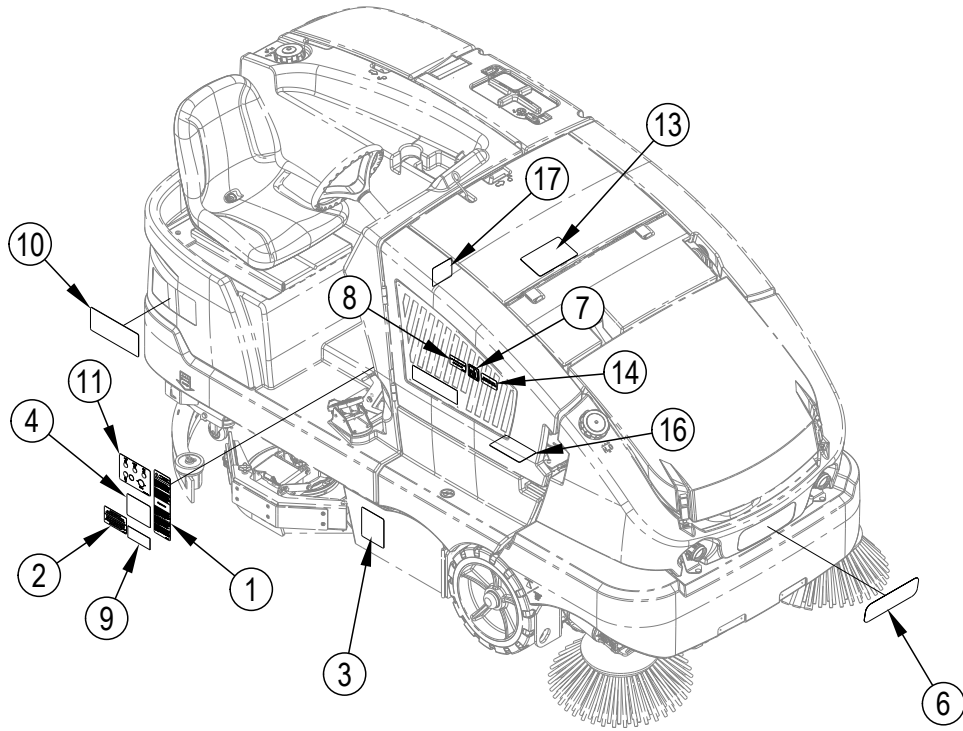
- [1] - K1,K2
 [2] - K1
 [3] - K1,K2, K3

TSB-FC-2018-002

- [4] - E1
 [5] - K2, K3

TSB-FC-2018-002

- [6] - K2



Pos.	Artikelnummer	Hoeveelheid	Omschrijving	Notes
1		1	Decal-Caution	[1]
2		1	Decal-LPG	[1]
3		1	Decal-Warning Broom	[1]
4		1	Decal, Warning Tip Over	[1]
5		1	Decal-Warning Hot	[2]
6		1	Decal-Nilfisk	[1]
7		1	Decal-Diesel Fuel	[1]
		1	Decal-Unleaded Fuel	[3]
8		1	Decal-Low Sulfur Diesel	[1]
9			Decal-Exhaust	[2]
10		2	Decal-CS7010-Nilfisk	[1]
		2	Decal-CS7010 Ecoflex	[1]
11		1	Decal-Circuit Breaker	[1]
12		1	Decal-Contactor Power Module	[4]
13		1	Decal-Battery Wiring	[5]
14		1	Decal-Swing Out Tank	[6]
15		1	Decal-Hopper Safety Support	[1]
16		1	Decal-Battery Wiring	[1]
17		1	Decal-Belt Removal Tool	[1]
18	56510650	2	DECAL-HYBRID EMBOSSED	[2]
	56510748	2	DECAL-E POWER EMBOSSED	[5]
19		1	Decal-Filter Shaker Hanger	[1]
20		1	Decal-Warning Hopper	[1]
21		1	Decal-Warning Hydraulic	[1]
			Service Kits	
K1	56511895	1	DECAL KIT-CS7010-NILFISK	

Part Notes:

[1] - K1

[2] - K1

Gasoline-Petrol-LPG Diesel

[3] - K1

Gasoline-Petrol

[4] - K1

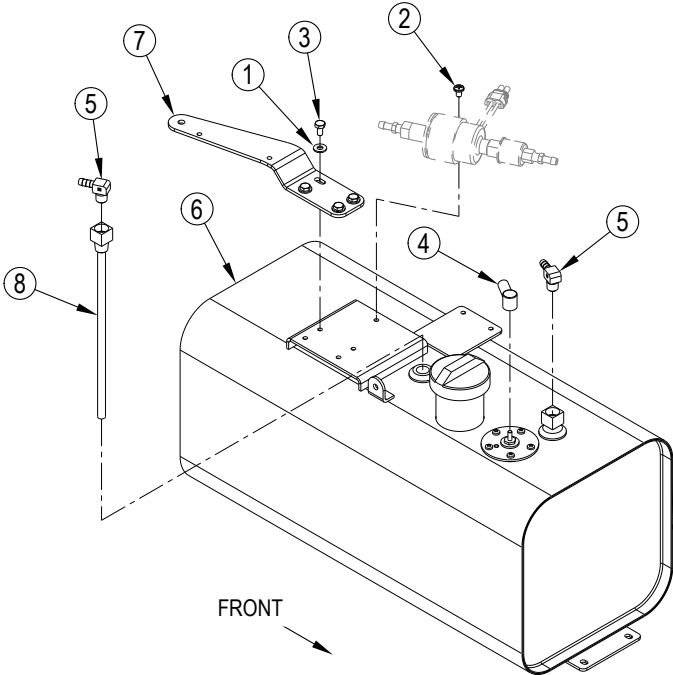
on panel behind recovery tank

[5] - K1

Battery

[6] - K1

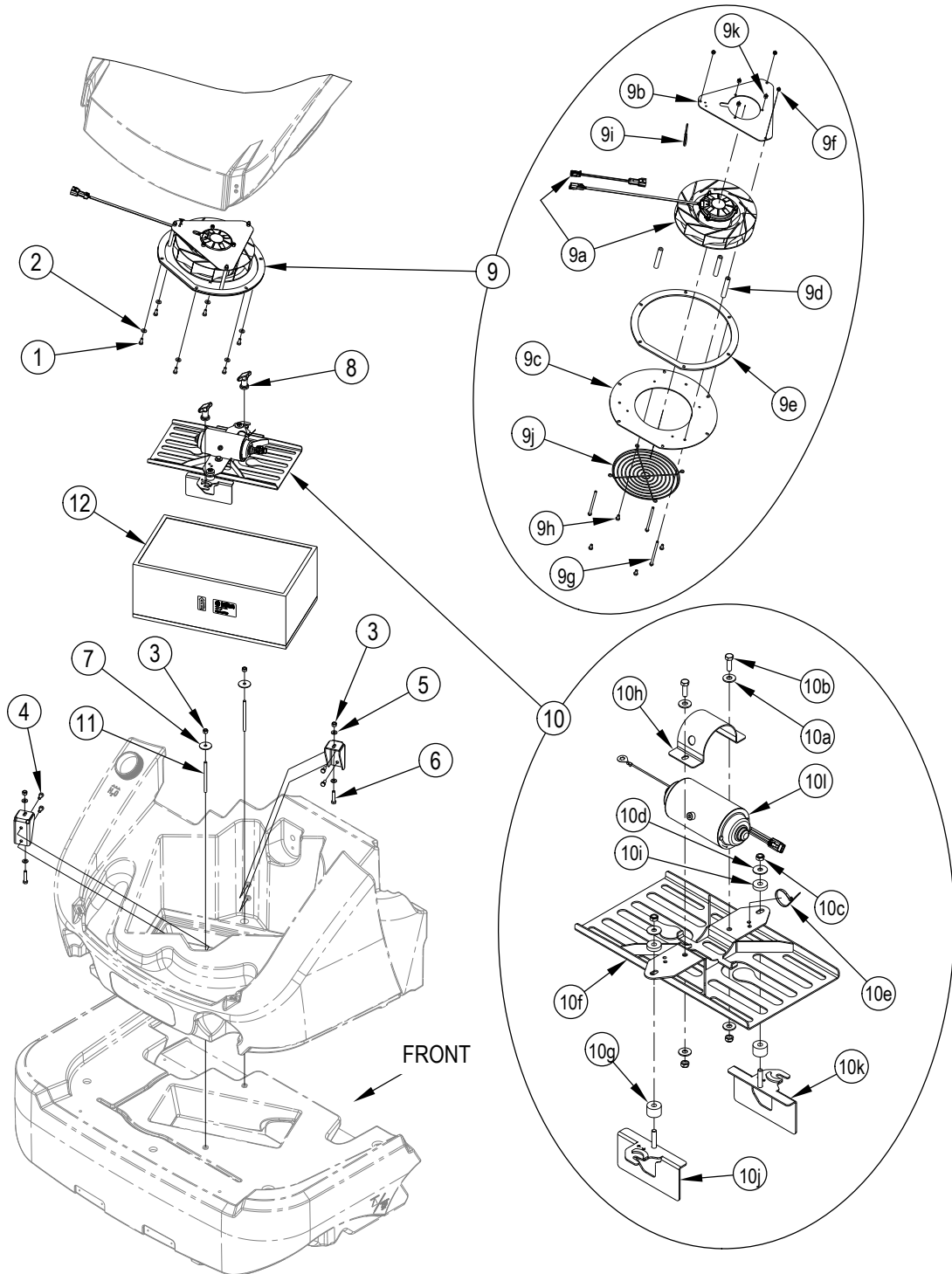
Diesel



Pos.	Artikelnummer	Hoeveelheid	Omschrijving	Notes
1	56002098	4	Ring 1/4	
2	56003603	1	VIJS	
3	56009033	4	Schroef 1/4-20X1/2 HP5	
4	56492305	1	Pakking	
5	56510495	2	BARB-90 ELBOW 5/16 X 1/4NPT	
6	56511235	1	FUEL TANK ASSEMBLY	
7	56511247	1	BRACKET-TANK SUPPORT	
8	56511256	1	TUBE-FUEL RETURN	
	56508354	1	Brandstof dop	[1]
	56511257	1	SENDER-FUEL LEVEL	[1]
	56511255	1	TUBE-FUEL WITHDRAWAL	[1]

Part Notes:

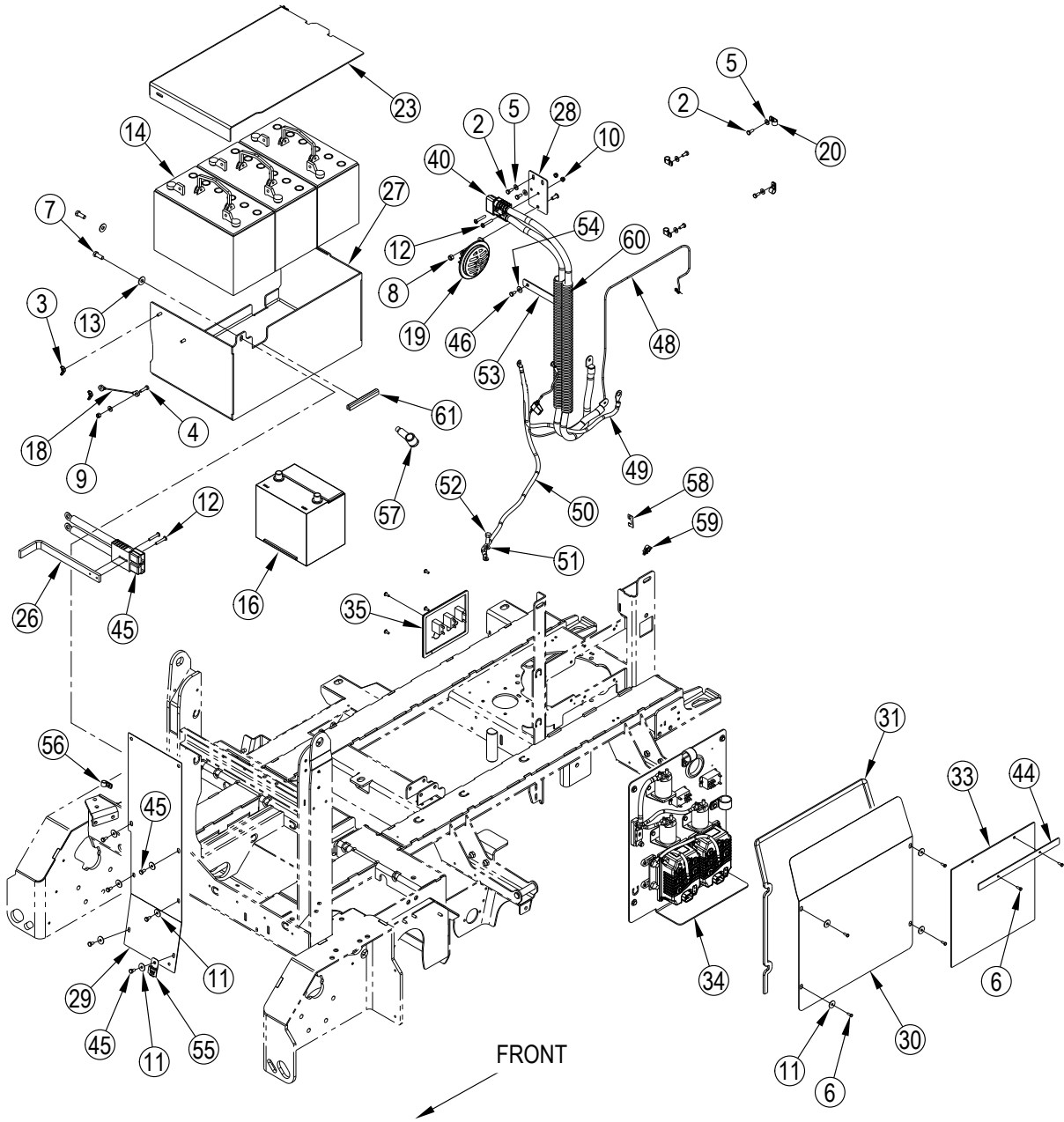
[1] - Not Shown



Pos.	Artikelnummer	Hoeveelheid	Omschrijving	Notes
1		6	Scr, Hex 1/4-20 X .62	[1]
2		6	Wsh, Flt SAE 1/4	[1]
3		4	Nut, Hex Nyl Loc SS 5/16-18	[2]
4		4	Scr-Hex Loc SS 5/16-18 X .62	[3]
5		4	Wsh-Flt SAE SS 5/16	[3]
6		2	Scr- Hex SS 5/16-18 X 1.50	[3]
7		2	Wsh-Flt SS .344 X 1.500 X .080	[4]
8	56370711	2	Vleugelmoer	
9		1	Impeller Assy	[1]
9a	56511926	1	Impeller/Adapter Kabel Set	[1]
9b		1	Plate-Support	[1]
9c		1	Plate-Impeller	[1]
9d		3	Spacer-.44x.31x3.19	[1]
9e	33023192	1	GASKET MOTOR VACUUM SIP	[1]
9f		3	Nut Hex Nyl Loc-Thin 1/4-20	[1]
9g		3	Scr Hex 1/4-20 X 3.75	[1]
9h		4	Scr, Hex Thd Form 1/4-20 X .50	[1]
9i		1	Tie, Cable	[1]
9j		1	Protection Grate	[1]
9k		3	Nut-Hex Nyl Loc M6-1	
10	56509762	1	FILTER SHAKER ASSY	
10a		4	Wsh, Flt Std 5/16	[5]
10b		2	Scr, Hex 5/16-18 X 1.00	[5]
10c		4	Nut, Hex Nyl Loc-Thin 5/16-18	[6]
10d		2	Wsh-Flt SS .33 X 1.00 X.060	[7]
10e		1	Tie, Cable	[7]
10f		1	Filter Shaker Weldt	[7]
10g		2	Isolator	[7]
10h		1	Clamp-Shaker Motor	[5]
10i		2	Wsh-Rubber .34x1.00x.25	[7]
10j		1	Filter Clamp Weldt	[7]
10k		1	Filter Clamp Weldt	[7]
10l		1	Motor-36vdc-Filter Shaker	[5]
11	56510253	2	ROD-THREADED	
12	56510354	1	STANDAARD FILTER	
13		2	Bracket-Filter Tie Down	[3]
			Service Kits	
K1	56511923	1	IMPELLER KIT-HOPPER	
K2	56510779	1	BRKT KIT-FILTER TIE DOWN	
K3	56510783	1	HARDWARE KIT-DUST CONTROL SYS	
K4	56511367	1	SHAKER MOTOR KIT	
K5	56510788	1	FILTER SHAKER KIT	

Part Notes:

- [1] - K1
- [2] - K2,K3
- [3] - K2
- [4] - K3
- [5] - K4
- [6] - K4,K5
- [7] - K5



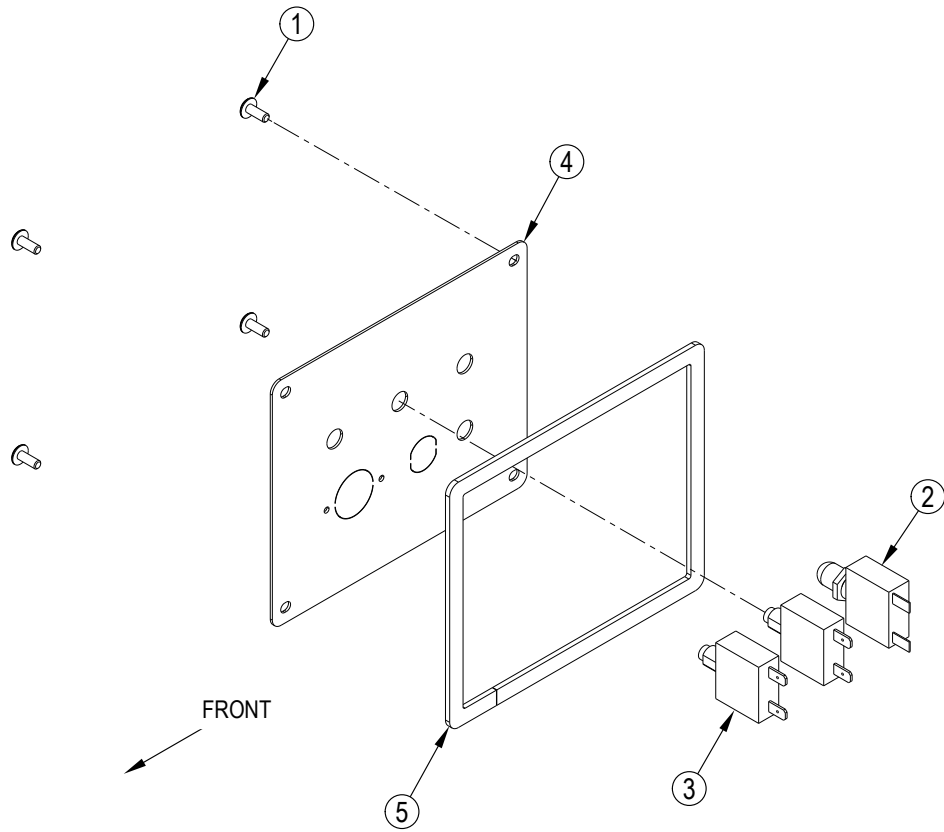
Pos.	Artikelnummer	Hoeveelheid	Omschrijving	Notes
2		6	Scr-Hex 1/4-20 X .62	[1]
3		2	Nut, Wing 1/4-20	[2]
4		1	Scr-Hex 1/4-20 X 1.00	[2]
5		7	Wsh, Flt Sae ¼	[3]
6		10	Scr-Hex 10-24 X .50	[1]
7		2	Scr-Hex 3/8-16 X 1.00	[2]
8		1	Nut, Hex Nyl Loc 5/16-18	[1]
9		1	Nut, Hex Nyl Loc 1/4-20	[2]
10		2	Nut, Hex Nyl Loc-Thin 1/4-20	[1]
11		10	Wsh, Flt .266 X .906 X .060	[1]
12		4	Scr-Pan Phil Loc 1/4-20 X 1.50	[1]
13		2	Wsh-Flt .392x1.00x.075	[2]
14		3	Battery, Gel 12v 98 Ah	[4]
15	56372673	6	Beschermhoes	[5]
16	56380449	1	BATTERY-12V 45AH WET	[6]
17	56409485	2	Kabel Compleet.1 X 15.00	[7]
18	56412344	1	Kabeleind	[8]
19	56394040	1	AVERTISSEUR SONORE 36V	
20	56323260	4	Klem Kabel	
22	56509182	1	Kabel Compleet-Starter Batterij	[5]
23	56509738	1	Afdekking batterij	[9]
24	56510223	1	Kabel-1 AWG X 29.25	[5]
25	56510224	1	Kabel-1 AWG X 26.50	[5]
26	56510835	1	Trekstang Disconnect	
27	56511177	1	Batterijbak gelast	[9]
28	56511215	1	BRACKET-CONNECTOR MOUNT	
29	56511365	1	Panel-Kabel Chaseway	
30	56511370	1	COVER-ELECTRICAL COMPARTMENT	
31	56383979	1	Pakking-Strip-59X.5X.25	
32	56394283	1	HARNES-MAIN	[5]
33	56511623	1	CURTAIN-SPLASH-CS7010	[10]
33	56394636	1		[11]
34		1	Electrical Panel Assy	
35		1	Circuit Breaker Panel Assy	
36	56511640	1	HARNES-HOPPER	[12]
37	56394371	1	HARNES-ENGINE INTERFACE	[5]
39	56394370	1	HARNES-RECOVERY TANK	[5]
40	56511645	1	HARNES-POWER	
41	56509177	1	Kabel Compleet-European Batterij	[5]
42	56394361	1	CABLE-1 AWG X 51.3	[5]
43	56394362	1	CABLE-1 AWG X 40.6	[5]
44	56394206	1	STRAP-SPLASH GORDIJN	
45	56511646	1	HARNES-ALTERNATOR	[13]
46	56001854	11	SCR HEX 1/4-20 X .50	
47	56511870	1	FERRITE-KIT	[14]
48	56511648	1	HARNES-ENGINE BONDING	
49	56394106	1	CABLE-4 AWG X 22.00	[15]
50	56394321	1	CABLE-4 AWG X 34.00	
51	56001939	1	Ring	
52	56002947	1	SCR HEX LOC 3/8-16 X 1.00	
53	56394207	1	RETAINER-HARNES	
54	56001906	1	WSH FLT STD 1/4	
55	56111972	1	CLIP-CONNECTOR	
56	56385491	1	CLAMP-P-.50 DIA G S	
57	56493357	1	INSULATOR TERMINAL	
58	56384494	1	CLIP-MOUNT-TIE DOWN	
59	56386407	1	CLIP E00360	
60	56394460	2		

Pos.	Artikelnummer	Hoeveelheid	Omschrijving	Notes
61	56507906	1	TRIM EDGE	
			Service Kits	
K1	56511885	1	HARDWARE KIT-ELECTICAL SYS	
K2	56510781	1	BATTERY KIT ELECT SYS	[16]

Part Notes:

- [1] - K1
- [2] - K1
These items are only used on LPG and diesel models
- [3] - K1
Quantity of 6 on battery models
- [4] - K2
These items are only used on LPG and diesel models
- [5] - Not Shown
- [6] - NOT FOR SALE IN EU
- [7] - Not Shown

- TSB-FC-2019-008 CS7010 Alternator-Generator Cable Routing
DE TSB-FC-2019-008 CS7010 Neue Kabelverlegung vom Generator
- [8] - Not Shown
These items are only used on LPG and diesel models
- [9] - These items are only used on LPG and diesel models
- [10] - 5 Lug Traction Drive Gearbox and Drive Wheel used on machines before serial number 1000073661.
- [11] - 7 Lug Traction Drive Gearbox and Drive Wheel used on machines after serial number 1000073660
- [12] - NEVER LAUNCHED
Not Shown
- [13] - TSB-FC-2019-008 CS7010 Alternator-Generator Cable Routing
DE TSB-FC-2019-008 CS7010 Neue Kabelverlegung vom Generator
- [14] - Not Shown
Located on the Hopper Harness and Solution Pump
- [15] - EXPIRED USE 56394111
Order the Engine Bonding Cable Kit 56394111 when replacing the Engine Bonding Cable 56394106
- [16] - EU USE 3X 1464853000

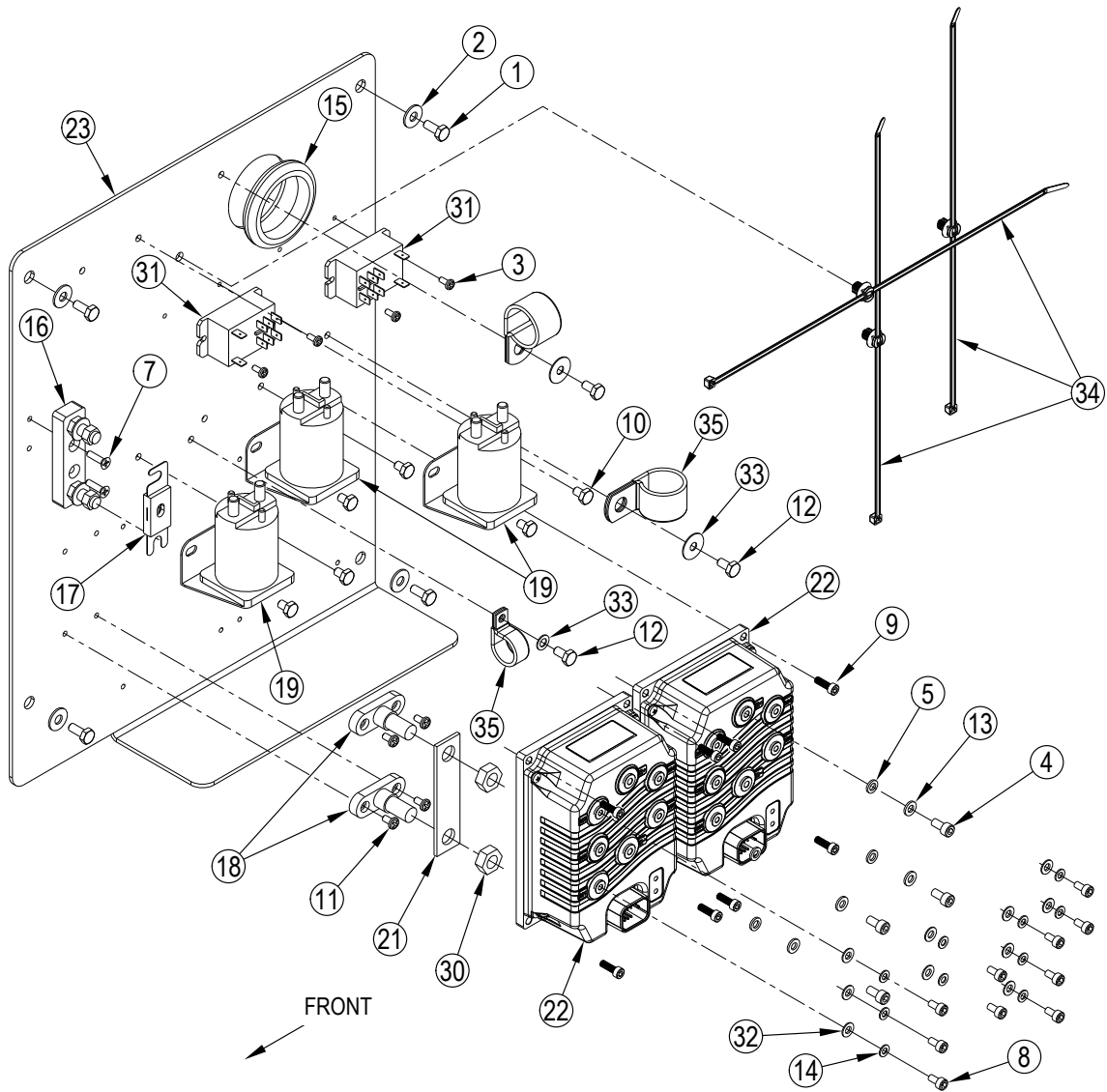


Pos.	Artikelnummer	Hoeveelheid	Omschrijving	Notes
1	56001812	4	SCR TRSS PHIL 1/4-20 X .50 BLK	
2	56315255	1	Zender druk	[1]
3	56509623	2	Zekering -25 AMP	[2]
4	56394205	1	PANEELCIRCUITBREKER	
5	56510458	1	GASKET-STRIP	

Part Notes:

[1] - SW11 / SW12

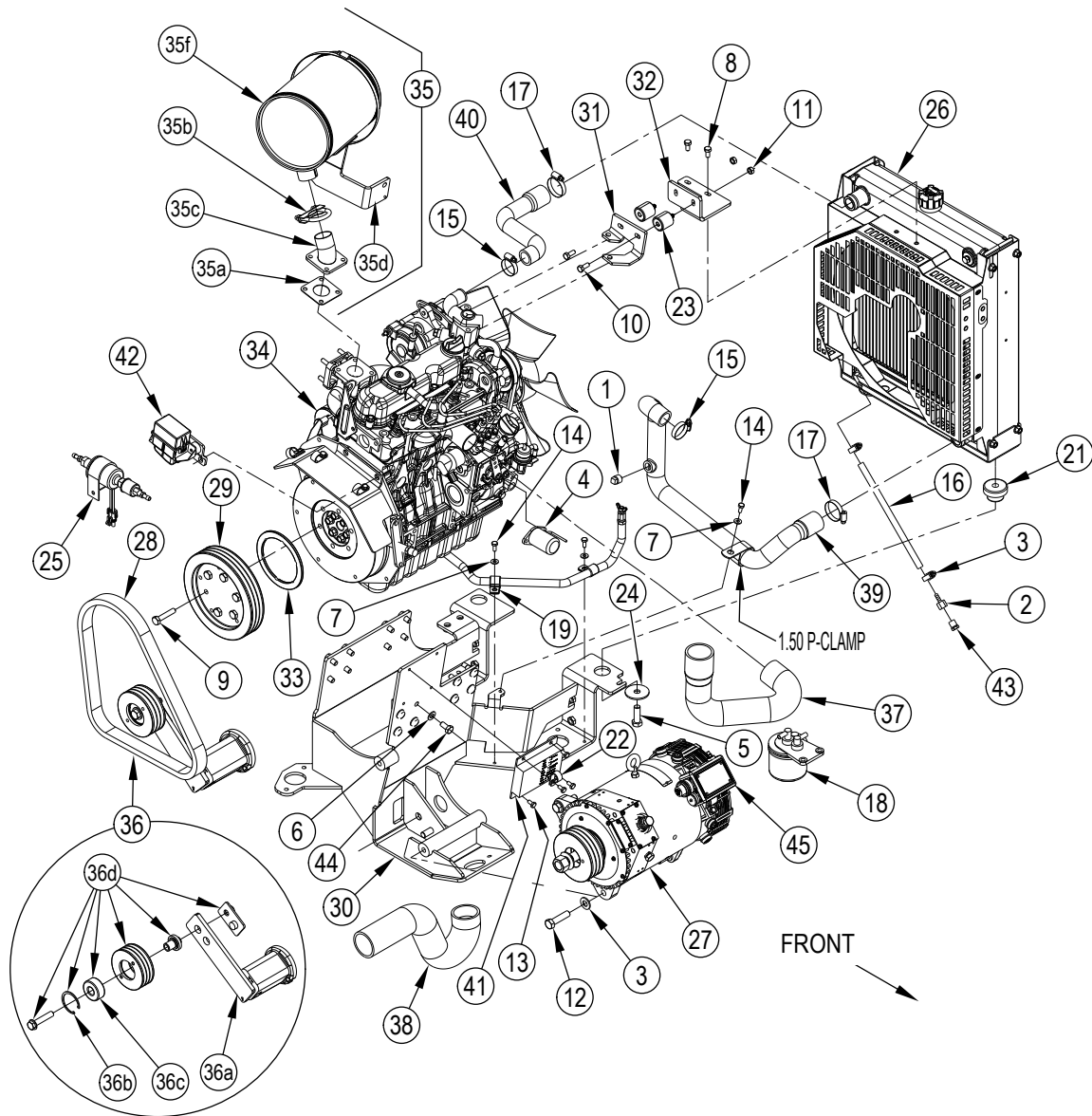
[2] - CB2 / CB3



Pos.	Artikelnummer	Hoeveelheid	Omschrijving	Notes
1	56001836	4	Schroef	
2	56001906	4	WSH FLT STD 1/4	
3	56002523	4	SCR PAN HD PHIL HP5 8-32 X .38	
4	56003357	4	SCR SOC THD TO HD M6 X 12.0	[1]
5	56003547	4	Ring 6 mm x 1 mm x 1,6 mm	[2]
7	56003681	2	SCR FLAT PHIL THD FRM10-24X.75	
8	56004009	10	SCR SOC M5-0.8X10	
9	56003365	8	SCR SOC HD M5 X 16.0	[1]
10	56009019	6	SCHROEF	
11	56009030	4	Schroef	
12	56009033	3	Schroef 1/4-20X1/2 HP5	
13	56009188	4	WSH-INT SHPRF M6	
14	56009255	10	WSH INT SHPRF 5MM	
15	56262531	1	GROMMET	
16	56303295	1	Houder zekering	
17	56303297	1	Zekering 400 AMP	
18	56303298	2	STUD TYPE JUNCTION BOX	
19	56395453	3	Contactora 36 Volt	
21	56510259	1	BUS BAR-GROUND	
22	56511622	2	MODULE-POWER	
23	56511634	1	PANEL-ELECTRICAL	
[25]	56394359	1	CABLE-6 AWG X 4.0	
[26]	56394360	1	CABLE - 6 AWG X 10.0	
[27]	56511726	1	Kabel-1 AWG X 9.00	
[28]	56394363	1	CABLE-6 AWG X 8.2	
[29]	56394364	1	CABLE-6 AWG X 14.3	
30	56009089	2	NUT Hex JAM 1/2-20	[3]
31	40892a	2	Relay DPDT	
32	56001954	10	Schroef	
33	56003539	1		
34	56116611	3	CABLE TIE MOUNT	
35	56410097	1	CLAMP P	

Part Notes:

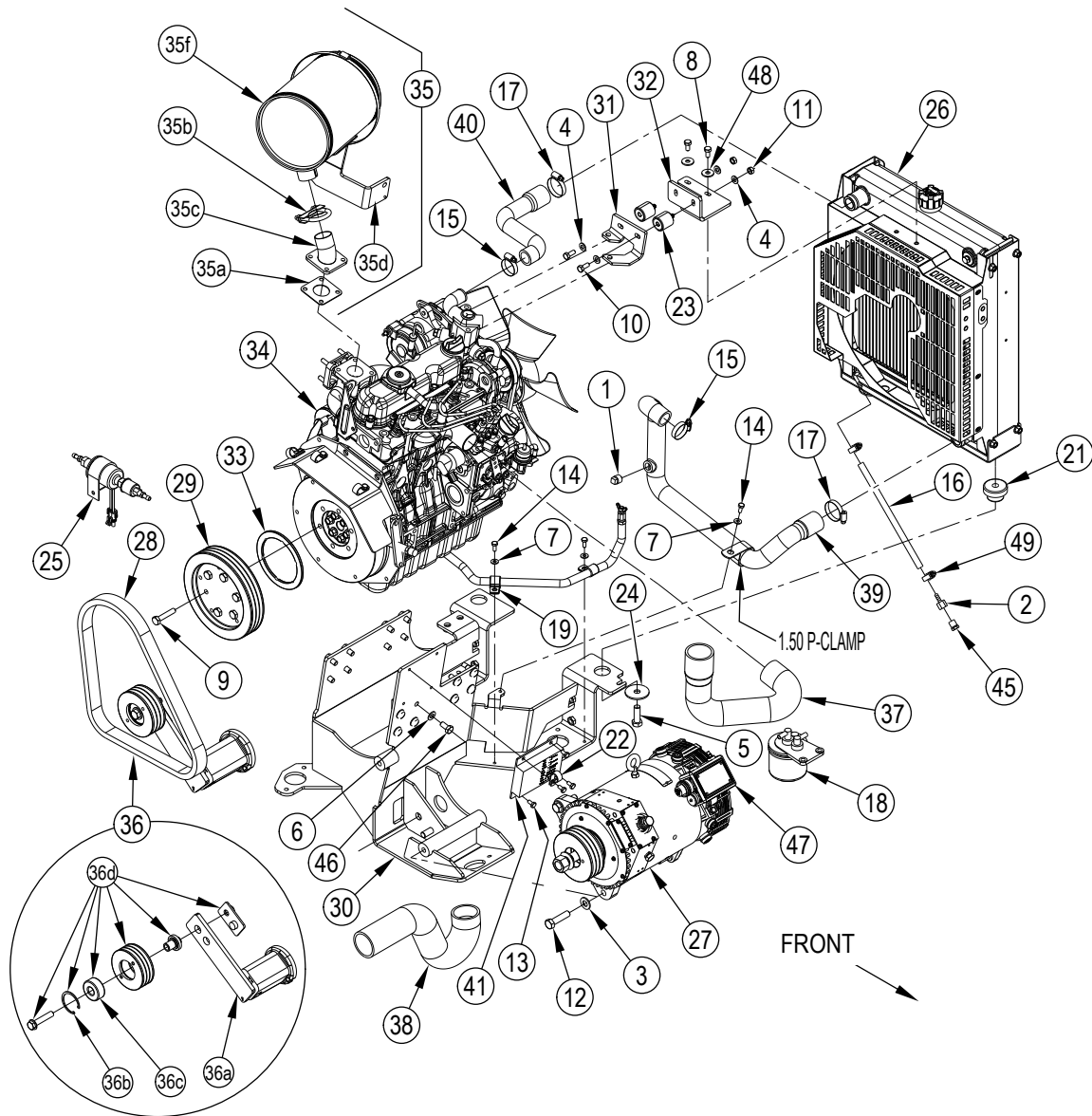
- [1] - Closed SEE MI-SP-007
- [2] - STOCK COVERS GUARANTEE
- [3] - GUARANTEE DATE EXPIRED



Pos.	Artikelnummer	Hoeveelheid	Omschrijving	Notes
1	56744580	1	PLUG BRASS E00040	
2	56756360	1	HOSE BARB 1/4 BARB X 1/4-18 F	
3	56756364	2	Slangklem	
4	56508490	1	Start/stop indicator	
5	56001968	2	Bout mondstuk BA 800	
6	56002063	18	Vulring	
7	56002098	1	Ring 1/4	
8	56003431	3	Bout rvs M6 x 16	
9	56003021	6	SCR HEX M10-1.25 X 50 MM	
10	56003179	3	Hex THD/HD M8-1.25x20	
11	56003352	2	NUT HEX M8	
12	56003740	3	SCR HEX THD TO HD 1/2-13X2.00	
13	56009033	4	Schroef 1/4-20X1/2 HP5	
14	56009250	3	VIJS	
15	56131601	2	Klem slang	
16	56510958	1	HOSE-COOLANT	
17	56413839	2	CLAMP HOSE WORM DRIVE	
18	56419054	1	BRANDSTOFFILTER	
19	56419120	2	CLAMP HOSE SUPPORT 56E00616	
21	56478685	2	Motor Rubbers	
22	56486112	1	STEUN	
23	56507372	2	ISOLATOR ENGINE	
24	56507448	2	WASHER ISOLATOR TAIL	
25	56511864	1	PUMP-FUEL-ELECTRONIC	
26	56511909	1	RADIATOR-DIESEL	
27	56511663	1	ALTERNATOR-42VDC-10KW	
	56511661	1	SHEAVE-3VX4.50X.875 (for 56509345 in diesel)	
28	56509442	1	BELT-3VX X 45.0	
29	56509443	1	SHEAVE-3V X 8.00	
30	56509452	1	ENG/ALT MNT WELDT	
31	56509510	1	BRACKET-DIESEL RADIATOR	
32	56511912	1	BRACKET-RADIATOR-DIESEL	[1]
33	56509740	1	PLATE-SPACER	
34		1	Diesel Engine Assy	
35		1	Diesel Exhaust Assy	
35a	56419107	1	Pakking uitlaat	[2]
35b	56456833	1	Muffler clamp	
35c	56510170	1	EXHAUST PIPE WELDT	
35d	56510172	1	MUFFLER SUPPORT WELDT	
35f	7-49-00038	1	MUFFLER SC 7740	
36		1	Tensioner Assy	
36a	56509923	1	TENSIONER-AUTOMATIC (for Tensioner Assy)	
36b	56003314	1	Ring (for Tensioner Assy)	
36c	56509716	1	BEARING-5304-2RS	
36d	56510854	1	IDLER PULLEY KIT	
37	56510077	1	HOSE-AIR CLEANER	
38	56510090	1	HOSE-AIR CLEANER	
39	56510126	1	Radiator slang	
40	56510127	1	HOSE-RADIATOR	
41	56510350	1	GOVERNOR-CONTROLLER	
42	56511876	1	HARNES-DIESEL-INTERMEDIATE	
43	56740136	1	PLUG BRASS E00040	
44	2-00-05958	16	SCREW HHC M10 X 1.25 X 20MM	
45	56383568	1	VOLTAGE REGULATOR KIT-42V	

Part Notes:

- [1] - Please order Radiator Diesel Kit 56511918 if you are replacing the Radiator 56509210 which has been obsoleted and replaced by Kit 56511918.
- [2] - Shipped with the engine.



Pos.	Artikelnummer	Hoeveelheid	Omschrijving	Notes
1	56744580	1	PLUG BRASS E00040	
2	56756360	1	HOSE BARB 1/4 BARB X 1/4-18 F	
3	56001879	3	Ringetje	
4	56001939	4	Ring	
5	56001968	2	Bout mondstuk BA 800	
6	56002063	16	Vulring	
7	56002098	3	Ring 1/4	
8	56002922	2	Schroef Hex Loc 1/4 20x.62	
9	56003021	6	SCR HEX M10-1.25 X 50 MM	
10	56003179	2	Hex THD/HD M8-1.25x20	
11	56003352	2	NUT HEX M8	
12	56003740	3	SCR HEX THD TO HD 1/2-13X2.00	
13	56009033	4	Schroef 1/4-20X1/2 HP5	
14	56009250	3	VIJS	
15	56131601	2	Klem slang	
16	56510958	1	HOSE-COOLANT	
17	56413839	2	CLAMP HOSE WORM DRIVE	
18	56419054	1	BRANDSTOFFILTER	
19	56419120	2	CLAMP HOSE SUPPORT 56E00616	
21	56478685	2	Motor Rubbers	
22	56486112	1	STEUN	
23	56507372	2	ISOLATOR ENGINE	
24	56507448	2	WASHER ISOLATOR TAIL	
25	56511864	1	PUMP-FUEL-ELECTRONIC	[1]
26	56511909	1	RADIATOR-DIESEL	
27	56511663	1	ALTERNATOR-42VDC-10KW	[2]
	56511661	1	SHEAVE-3VX4.50X.875	[3]
28	56509442	1	BELT-3VX X 45.0	
29	56509443	1	SHEAVE-3V X 8.00	
30	56509452	1	ENG/ALT MNT WELDT	
31	56509510	1	BRACKET-DIESEL RADIATOR	
32	56511912	1	BRACKET-RADIATOR-DIESEL	[4]
33	56509740	1	PLATE-SPACER	
34		1	Diesel Engine Assy	
35		1	Diesel Exhaust Assy	
35a	56419107	1	Pakking uitlaat	[5]
35b	56456833	1	Muffler clamp	
35c	56510170	1	EXHAUST PIPE WELDT	
35d	56510172	1	MUFFLER SUPPORT WELDT	
35f	7-49-00038	1	MUFFLER SC 7740	
36		1	Tensioner Assy	
36a	56509923	1	TENSIONER-AUTOMATIC	[6]
36b	56003314	1	Ring	[6]
36c	56509716	1	BEARING-5304-2RS	[6]
36d	56510854	1	IDLER PULLEY KIT	[6]
37	56510077	1	HOSE-AIR CLEANER	
38	56510090	1	HOSE-AIR CLEANER	
39	56510126	1	Radiator slang	
40	56510127	1	HOSE-RADIATOR	
41	56510350	1	GOVERNOR-CONTROLLER	
44	56511876	1	HARNES-DIESEL-INTERMEDIATE	[7]
45	56740136	1	PLUG BRASS E00040	
46	2-00-05958	16	SCREW HHC M10 X 1.25 X 20MM	
47	56383568	1	VOLTAGE REGULATOR KIT-42V	
48	56003638	2	WSH FLT SS M6	
49	56756364	2	Slangklem	

Part Notes:

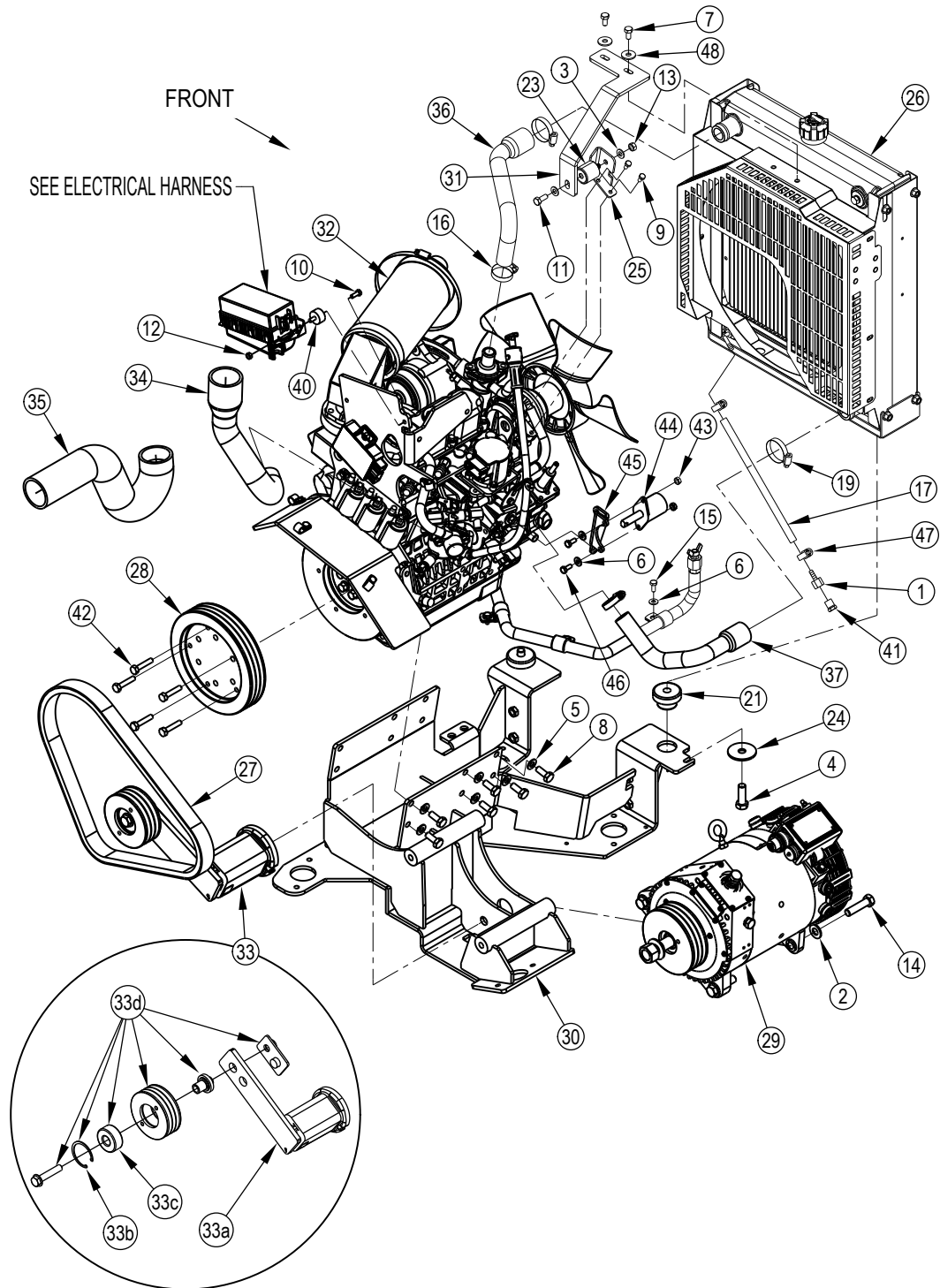
- [1] - M25
- [2] - G1
- [3] - for 56509345 in diesel. Not Shown
- [4] - Please order Radiator Diesel Kit 56511918 if you are replacing the Radiator 56509210 which has been obsoleted and replaced by Kit 56511918.

TSB-FC-2017-046

56511916,56511917,56511918 - Radiator kit

IS56090333 - RADIATOR KIT_56511916,56511917,56511918

- [5] - Shipped with the engine.
- [6] - for Tensioner Assy
- [7] - Not Shown



Pos.	Artikelnummer	Hoeveelheid	Omschrijving	Notes
1	56756360	1	HOSE BARB 1/4 BARB X 1/4-18 F	
2	56001879	3	Ringetje	
3	56001939	2	Ring	
4	56001968	2	Bout mondstuk BA 800	
5	56009112	12	WSH INT SHPRF 3/8	
6	56002098	3	Ring 1/4	
7	56002922	2	Schroef Hex Loc 1/4 20x.62	
8	56003019	12	SCR HEX M10-1.25 X 25 MM	
9	56003155	2	SCR HEX M6-1.0 X 12MM	
10	56003174	2	Schroef	
11	56003179	1	Hex THD/HD M8-1.25x20	
12	56003350	2	Moer M6	
13	56003352	1	NUT HEX M8	
14	56003740	3	SCR HEX THD TO HD 1/2-13X2.00	
15	56009250	3	VIJS	
16	56131601	2	Klem slang	
17	56510958	1	HOSE-COOLANT	
19	56413839	2	CLAMP HOSE WORM DRIVE	
21	56478685	2	Motor Rubbers	
22	56504531	1	HARNESS-IGNITION-DF-WG972	[1]
23	56507372	1	ISOLATOR ENGINE	
24	56507448	2	WASHER ISOLATOR TAIL	
25		1	Bracket, Upper Radiator Iso Mount	
26	56511908	1	RADIATOR-LPG-GAS	[2]
27	56509442	1	BELT-3VX X 45.0	
28	56509443	1	SHEAVE-3V X 8.00	
29	56511663	1	ALTERNATOR-42VDC-10KW	[3]
	56511632	1	SHEAVE-3VX5.00X.875	[4]
30	56509570	1	ENG/ALT MNT WELDT	[5]
31	56511911	1	BRACKET-RADIATOR-GAS	
32		1	Petrol Engine Assy	
33		1	Tensioner Assy	
33a	56509923	1	TENSIONER-AUTOMATIC	[6]
33b	56003314	1	Ring	[6]
33c	56509716	1	BEARING-5304-2RS	
33d	56510854	1	IDLER PULLEY KIT	[6]
34	56510078	1	HOSE-AIR CLEANER	
35	56510090	1	HOSE-AIR CLEANER	
36	56510128	1	HOSE-RADIATOR	
37	56510129	1	HOSE-RADIATOR	
38	56510369	1	HARNESS-KUBOTA DF972	[1]
40	56510718	2	ISOLATOR-RELAY BOX	
41	56740136	1	PLUG BRASS E00040	
42	56003361	5	SCR HEX HD M8 X 35.0	
43	56002561	2	NUT HEX W/SHRPF 1/4/20	
44	56511222	1	SOLENOID-CHOKE	
45	56511221	1	BRACKET-CHOKE SOLENOID	
46	56001836	2	Schroef	
47	56756364	2	Slangklem	
48	56003638	2	WSH FLT SS M6	

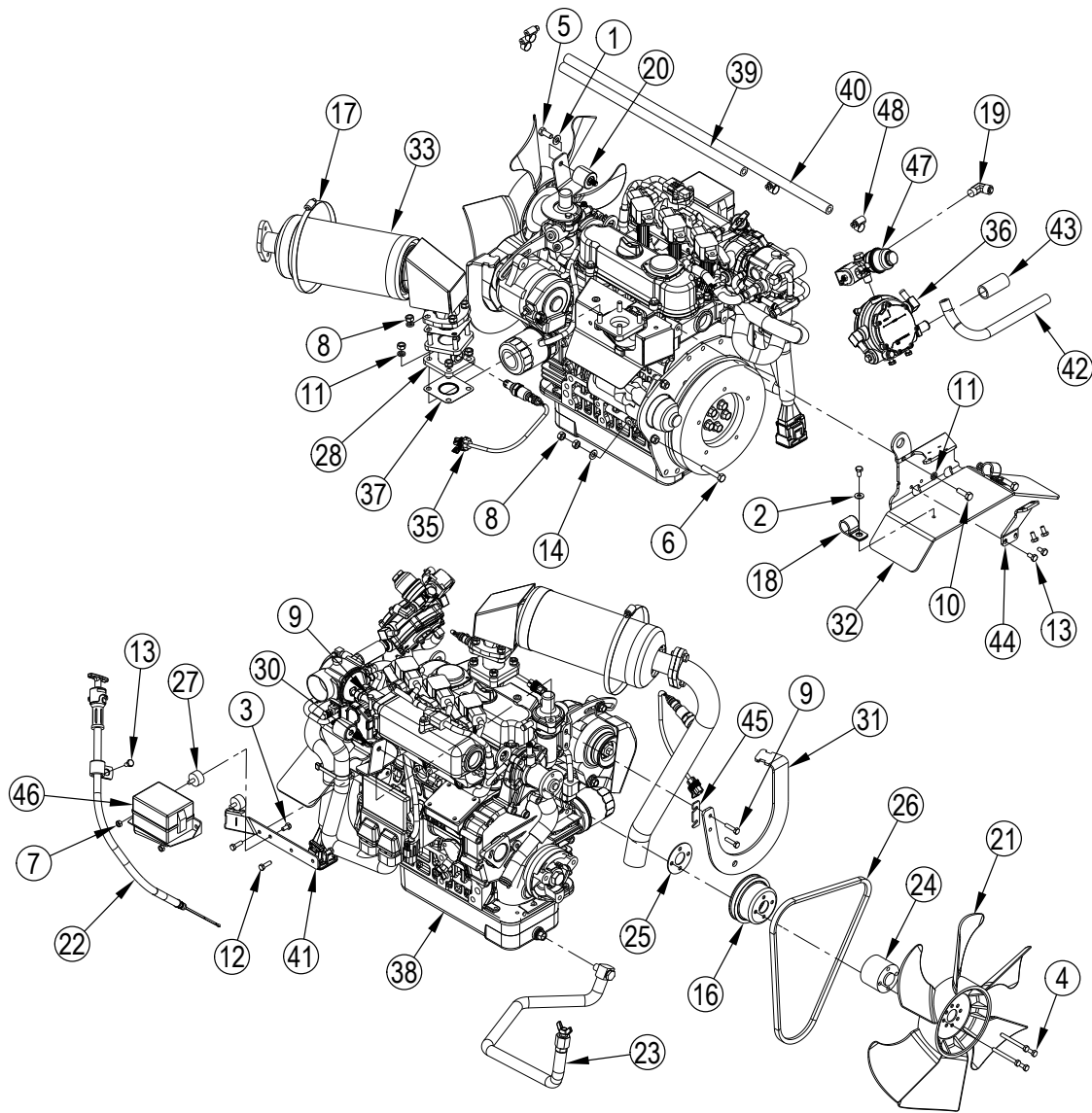
Part Notes:

[1] - Not Shown

- [2] - TSB-FC-2017-046
IS56090333 - RADIATOR KIT_56511916,56511917,56511918
56511916,56511917,56511918 - Radiator kit

Please order Radiator Gas Kit 56511917 if you are replacing the Radiator 56509210 which has been obsoleted and replaced by Kit 56511917.

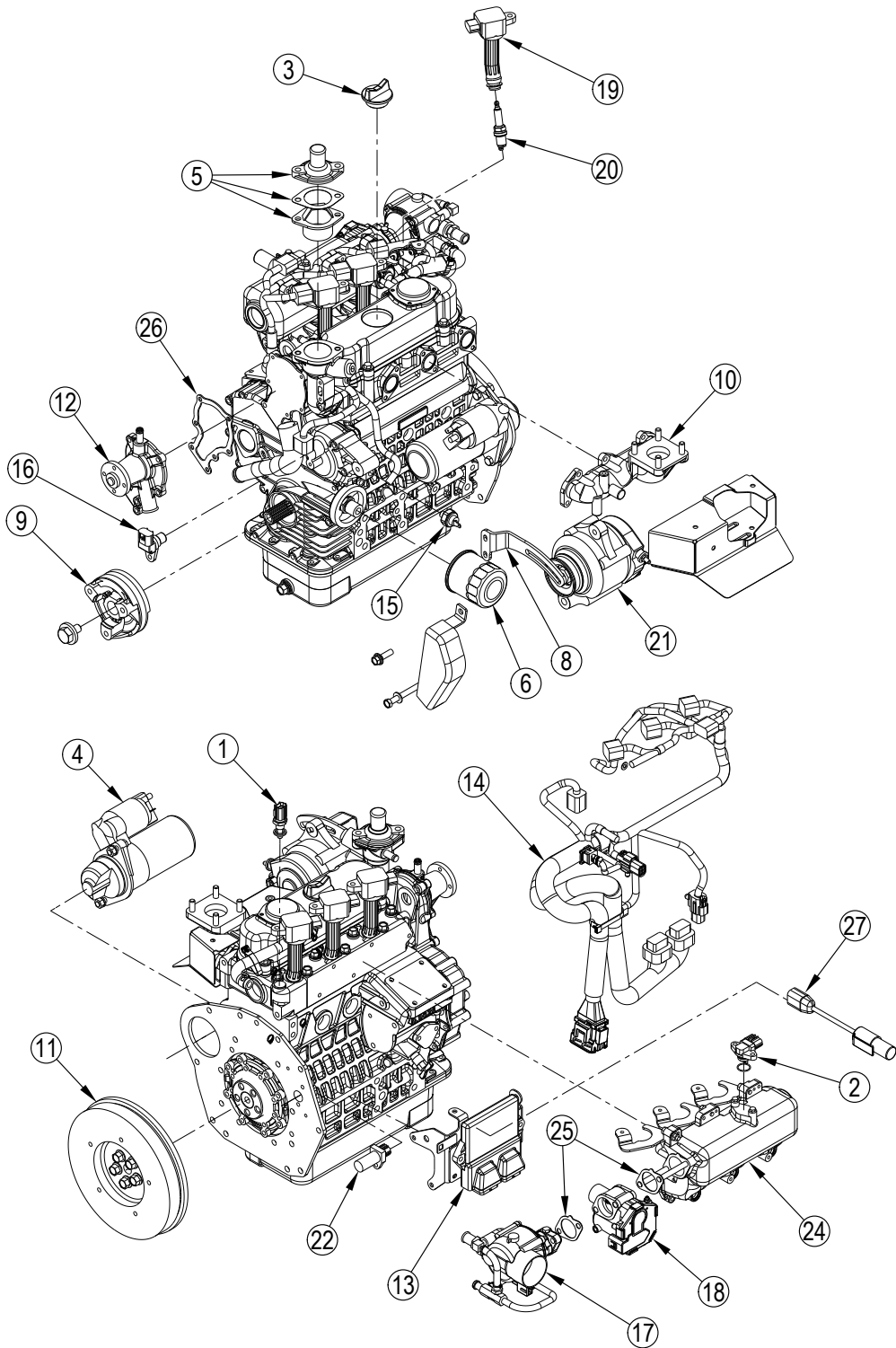
- [3] - G1
- [4] - for 56511663. Not Shown
- [5] - OPENED BY MISTAKE
- [6] - for Tensioner Assy



Pos.	Artikelnummer	Hoeveelheid	Omschrijving	Notes
1	56001939	1	Ring	
2	56002098	2	Ring 1/4	
3	56003155	2	SCR HEX M6-1.0 X 12MM	
4	56003169	4	Schroef M6 1x 60mm	
5	56003179	1	Hex THD/HD M8-1.25x20	
6		1	Scr, Hex Thd To Hd M8-1.25 X 45mm	
7	56003350	2	Moer M6	
8	56003352	11	NUT HEX M8	
9	56003358	4	Schroef M6 x 25.0	
10	56003477	2	Schroef	
11	56003685	10	WASHER NORD LOC M8	
12	56003841	2	SCR-HEX LOC SS M6-1 X 20MM	
13	56009033	7	Schroef 1/4-20X1/2 HP5	
14	56009052	2	MOER	
16	56307249	1	PULLEY FAN 89MM	
17	56355488	1	Clamp hose SAE 96 ER	
19	56456608	1	ELBOW 90 DEG-4-6B E00034	
20	56507372	1	ISOLATOR ENGINE	
21	56510140	1	Ventiel	
22		1	Dipstick Assy	
23	56510200	1	REMOTE OIL DRAIN ASSY	
24	56510553	1	SPACER-FAN	
25	56510554	1	SPACER-PULLEY	
26	56511577	1	BELT-FAN-34.75 OD	
27	56510718	2	ISOLATOR-RELAY BOX	
28	56511504	1	O2 SENSOR ADAPTOR WELDMENT	
30	56511514	1	BRACKET-RADIATOR MOUNT	
31	56511516	1	BRACKET-MUFFLER SUPPORT	
32	56511517	1	BRACKET-MOUNT-LP REGULATOR	
33	56511518	1	MUFFLER-CATALYTIC	
35	56511522	1	SENSOR-OXYGEN-WG972 ENG	
36	56511523	1	REGULATOR-LP GAS	
37	56511524	2	GASKET-EXHAUST	
38		1	Engine-Base Lpg WG972	[1]
39	56511526	1	HOSE-COOLANT-3/8X11/16X18	
40	56511527	1	HOSE-COOLANT-3/8X11/16X26	
41	56511528	1	BRACKET-SUPPORT-DIPSTICK	
42	56511529	1	HOSE-REGULATOR TRIM	
43	56511530	1	HOSE-LPG VAPOR	
44	56511542	1	BRACKET- BRACE-MOUNT	
45	56511543	1	SHIM-MUFFLER SUPPORT	
46	56511562	1	HARNES-ENGINE-INTERMEDIATE	
47	56511563	1	VALVE-LPG LOCKOFF-12V	
48	56756364	4	Slangklem	

Part Notes:

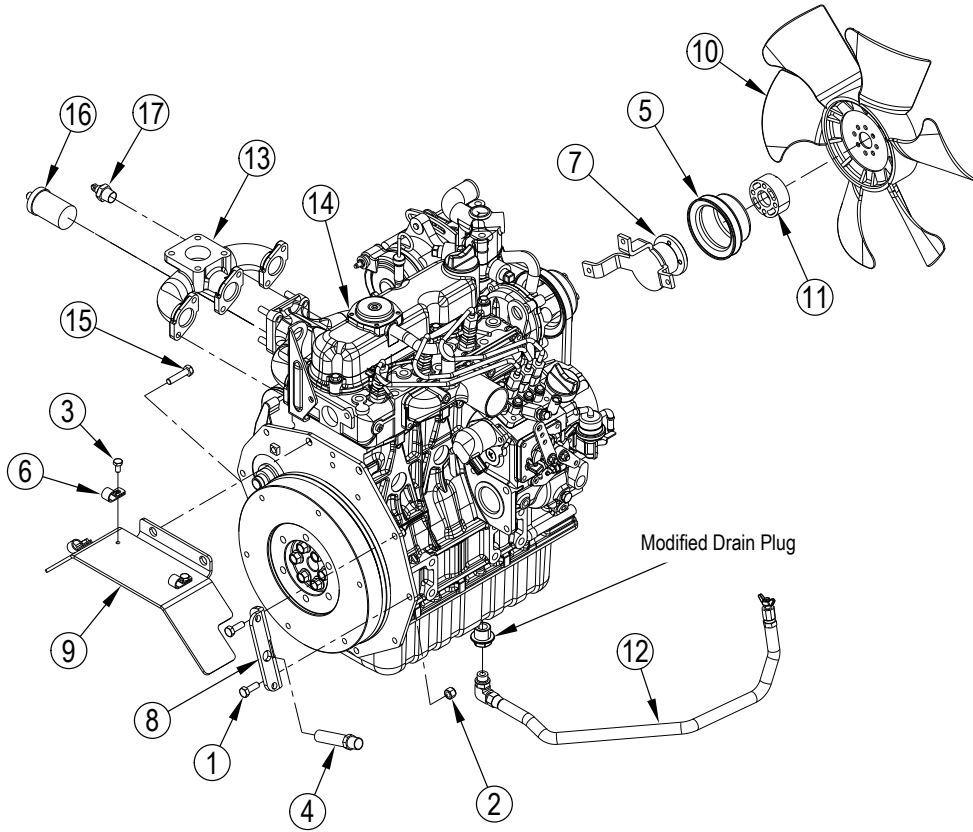
[1] - Engine Base-Replacement Parts-LPG LEV



Pos.	Artikelnummer	Hoeveelheid	Omschrijving	Notes
1	56107721	1	WATER TEMP SENSOR W/SEAL	
2	56107744	1	Tmap sensor	
3	56383025	1	CAP-OIL FILL	
4	56508440	1	STARTER ASSEMBLY	
5	56508454	1	Thermostaat kit	
6	56511572	1	FILTER-OIL-WG972 EFI ENGINE	
7	56511566	1	UPPER ENGINE GASKET KIT-WG972	[1]
8	56510978	1	BRACKET-ALTERNATOR ADJ	
9	56510979	1	PULLEY-CRANKSHAFT	
10	56511546	1	MANIFOLD-EXHAUST-WG972 ENGINE	
11	56511547	1	FLYWHEEL-WG972 ENGINE	
12	56511549	1	PUMP-WATER-WG972 ENGINE	
13	56511550	1	ECU-WG972 ENGINE	
14	56511551	1	HARNES-ENGINE CONTROL	
15	56511552	1	SWITCH-OIL PRESSURE-WG972 ENG	
16	56511553	1	SENSOR-CAM POSITION	
17	56511554	1	MIXER ASSY	
18	56511555	1	THROTTLE BODY ASSY	
19	56511556	3	COIL-IGNITION	
20	56511557	3	SPARK PLUG-LEV WG972 ENGINE	
21	0775-295	1	ALTERNATOR WITH PULLEY	
22	2-00-06354	1	CRANK/RPM SENSOR	
23	56511573	1	BOTTOM ENGINE GASKET KIT-WG972	[1]
24	56511548	1	MANIFOLD-INTAKE WG972	
25	56511571	2	GASKET-THROTTLE BODY	
26	56511574	1	GASKET-WATER PUMP-WG972 ENGINE	
27	56511575	1	Kabel-Ecom Adaptor	[2]

Part Notes:

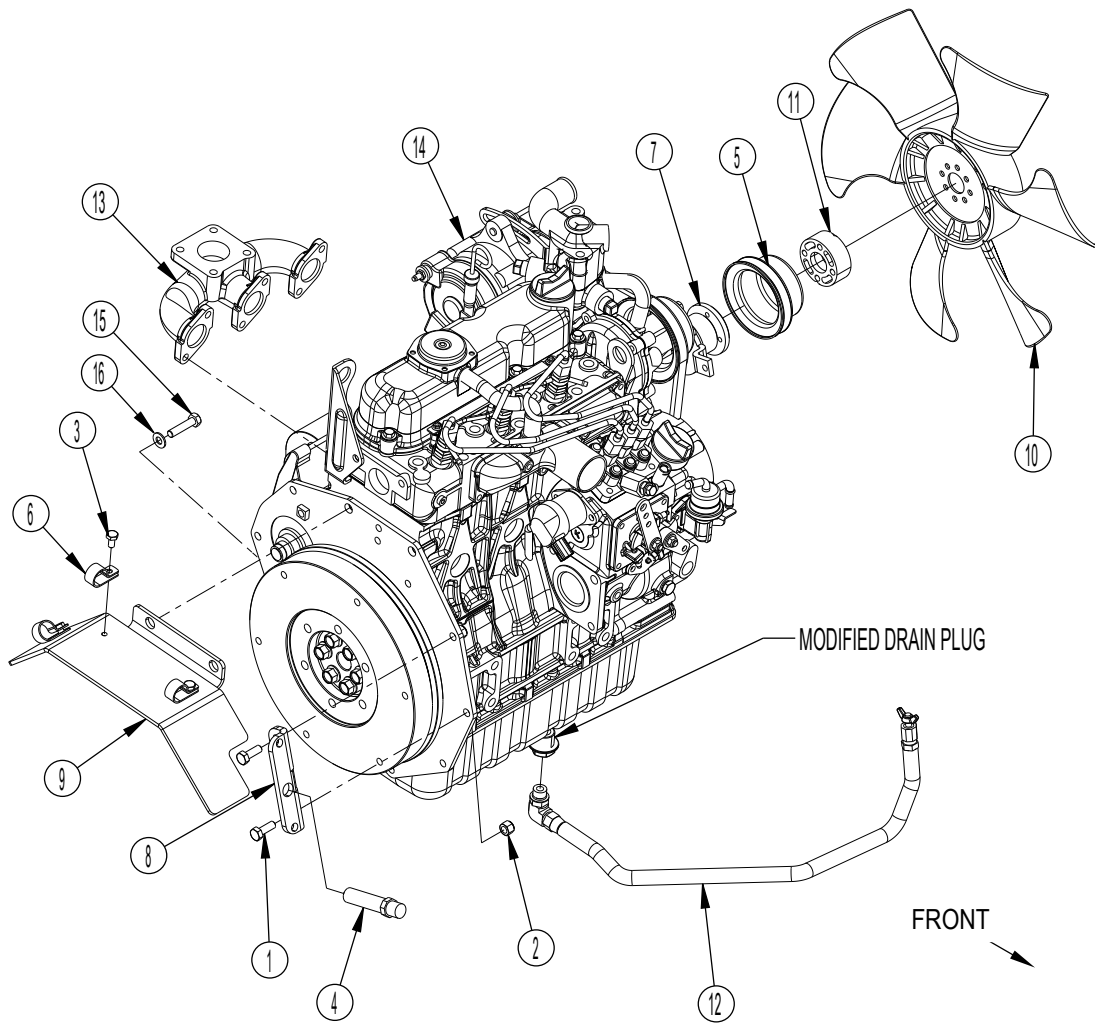
- [1] - Not Shown
- [2] - TSB-FC-2020-010 Kubota Engine interface KIT
DE TSB-FC-2020-010 CS7000 7010, SC8000, SW8000 Kubota Engine interface KIT



Pos.	Artikelnummer	Hoeveelheid	Omschrijving	Notes
1	56002037	2	BOUT 5/16 18 X .88	
2	56002701	2	Moer	
3	56009033	3	Schroef 1/4-20X1/2 HP5	
4	56111319	1	Snelheidssonde	
5	56307249	1	PULLEY FAN 89MM	
6	56486112	3	STEUN	
7	56504477	1	KIT LOW FAN KUB 1505	
8	56509853	1	BRACKET- MAG PICKUP	
9	56509981	1	PLATE-GUARD	[1]
10	56510140	1	Ventiel	
11	56510149	1	SPACER-FAN	
12	56510205	1	REMOTE OIL DRAIN	
13	56510207	1	MANIFOLD-EXHAUST	
14	56394270	1	DIESEL ENGINE-BASE-D1305-E4B	[2]
15	56003361	1	SCR HEX HD M8 X 35.0	
16	56508444	1	Druk schakelaar	
17	56419091	1	Temperatuur schakelaar	
			Engine Replacement Parts	
	56394270	1	DIESEL ENGINE-BASE-D1305-E4B	[2]
	56510385	1	ALTERNATOR-40 AMP	
	56419086	1	Brandstoffilter cartridge	
	56482659	1	Oliefilter SR 1800	
	56419084	1	Riem dynamo SR 1800	
	56419087	1	Ventilatorriem	
	56508454	1	Thermostaat kit	
	56419089	1	Start Motor	
	56508444	1	Druk schakelaar	
	56419091	1	Temperatuur schakelaar	
	56508490	1	Start/stop indicator	
	56510350	1	GOVERNOR-CONTROLLER	
	56111319	1	Snelheidssonde	
	56510126	1	Radiator slang	
	56510127	1	HOSE-RADIATOR	
	56510205	1	REMOTE OIL DRAIN	
	56508355	1	Elect. Brandstofpomp	[3]
	56419307	1	Diesel filter 30 microns	
	56510077	1	HOSE-AIR CLEANER	
	56510090	1	HOSE-AIR CLEANER	
	56508354	1	Brandstof dop	
	56510613	1	Sensor Tank	[4]
	56510614	1	TUBE-FUEL WITHDRAWL	[5]
	56510615	1	TUBE-FUEL RETURN	[5]
	56510968	1	GASKET SET-UPPER D1305	
	56510969	1	GASKET SET-LOWER D1305	
	56510970	1	WATER PUMP-D1305	
	56510971	1	PULLEY-ALTERNATOR	
	56510972	1	BRACKET-ALTERNATOR ADJ	
	56510973	1	PULLEY-CRANKSHAFT	
	56510974	1	INJECTION PUMP-D1305	
	56510975	1	GLOW PLUG	
	33019750	1	IGNITION UNIT	
	56482028	1	Luchtfilter	
	56482029	1	Primair filter	
	56383025	1	CAP-OIL FILL	
	56511914	1	CAP-RADIATOR-1.0 BAR	

Part Notes:

- [1] - OPENED BY MISTAKE
- [2] - REPLACEMENT IS NOT READY
- [3] - Shipped with the engine.
- [4] - EXPIRED ON 01/12/2023
- [5] - EXPIRED ON 6/14/2018



Pos.	Artikelnummer	Hoeveelheid	Omschrijving	Notes
1	56002037	2	BOUT 5/16 18 X .88	
2	56002701	2	Moer	
3	56009033	3	Schroef 1/4-20X1/2 HP5	
4	56111319	1	Snelheidssonde	
5	56307249	1	PULLEY FAN 89MM	
6	56486112	3	STEUN	
7	56504477	1	KIT LOW FAN KUB 1505	
8	56509853	1	BRACKET- MAG PICKUP	
9	56509981	1	PLATE-GUARD	[1]
10	56510140	1	Ventiel	
11	56510149	1	SPACER-FAN	
12	56510205	1	REMOTE OIL DRAIN	
13	56510207	1	MANIFOLD-EXHAUST	
14	56394270	1	DIESEL ENGINE-BASE-D1305-E4B	[2]
15	56003361	1	SCR HEX HD M8 X 35.0	
16	56009052	1	MOER	
			Engine Replacement Parts	
	56510385	1	ALTERNATOR-40 AMP	[3]
	56419086	1	Brandstoffilter cartridge	[3]
	56482659	1	Oliefilter SR 1800	[3]
	56419084	1	Riem dynamo SR 1800	[3]
	56419087	1	Ventilatorriem	[3]
	56508454	1	Thermostaat kit	[3]
	56419089	1	Start Motor	[3]
	56508444	1	Druk schakelaar	[3]
	56419091	1	Temperatuur schakelaar	[3]
	56508490	1	Start/stop indicator	[3]
	56510350	1	GOVERNOR-CONTROLLER	[3]
	56111319	1	Snelheidssonde	[3]
	56510126	1	Radiator slang	[4]
	56510127	1	HOSE-RADIATOR	[5]
	56510205	1	REMOTE OIL DRAIN	[3]
	56508355	1	Elect. Brandstofpomp	[6]
	56419307	1	Diesel filter 30 microns	[3]
	56510077	1	HOSE-AIR CLEANER	[7]
	56510090	1	HOSE-AIR CLEANER	[8]
	56508354	1	Brandstof dop	[3]
	56510613	1	Sensor Tank	[9]
	56510614	1	TUBE-FUEL WITHDRAWL	[10]
	56510615	1	TUBE-FUEL RETURN	[10]
	56510968	1	GASKET SET-UPPER D1305	[3]
	56510969	1	GASKET SET-LOWER D1305	[3]
	56510970	1	WATER PUMP-D1305	[3]
	56510971	1	PULLEY-ALTERNATOR	[3]
	56510972	1	BRACKET-ALTERNATOR ADJ	[3]
	56510973	1	PULLEY-CRANKSHAFT	[3]
	56510974	1	INJECTION PUMP-D1305	[3]
	56510975	1	GLOW PLUG	[3]
	33019750	1	IGNITION UNIT	[11]
	56482028	1	Luchtfilter	[3]
	56482029	1	Primair filter	[3]
	56383025	1	CAP-OIL FILL	[3]
	56511914	1	CAP-RADIATOR-1.0 BAR	[3]

Part Notes:

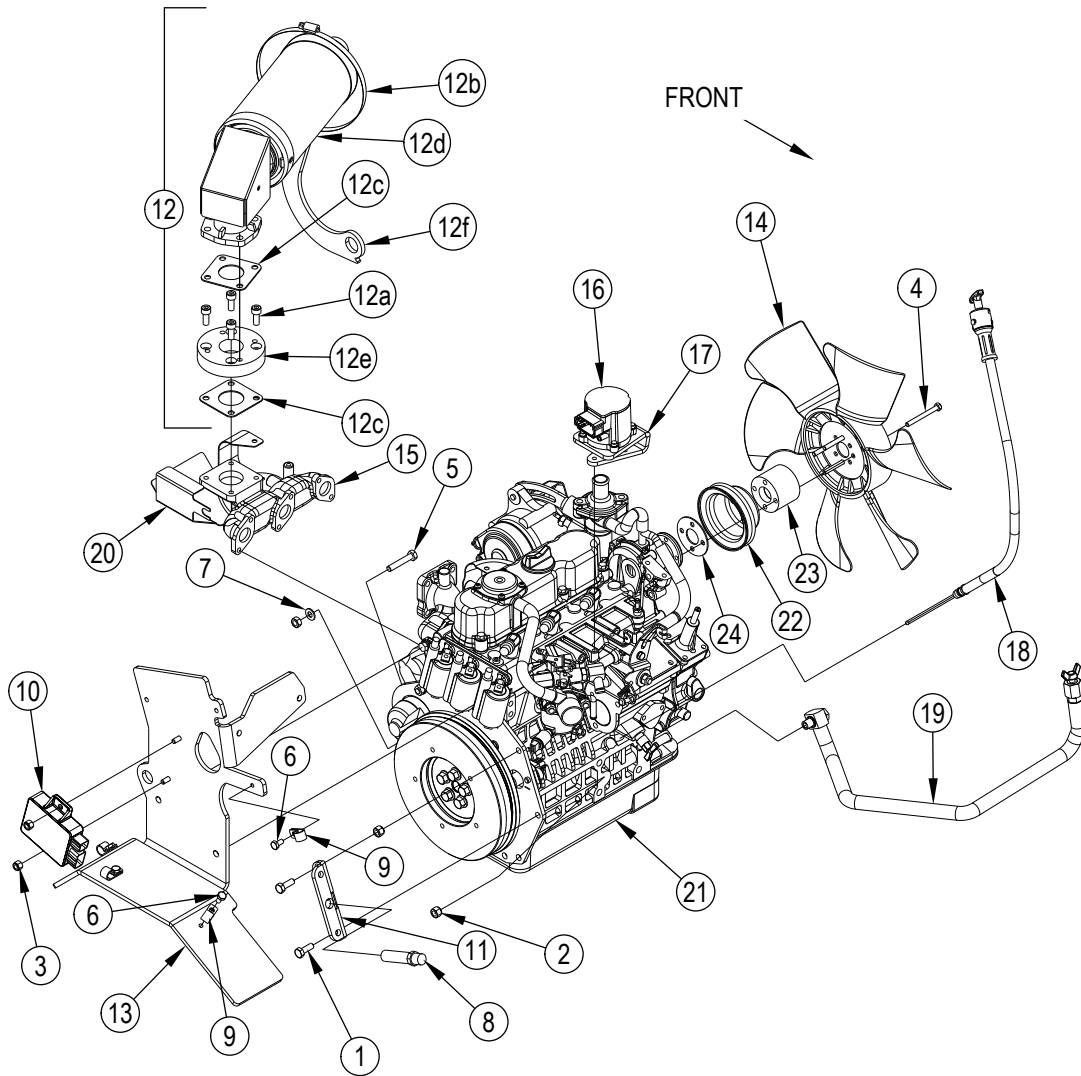
- [1] - OPENED BY MISTAKE
 [2] - REPLACEMENT IS NOT READY
 [3] - Not Shown

- [4] - Not Shown
Lower
- [5] - Not Shown
Upper
- [6] - Shipped with the engine.

- [7] - Not Shown
Air Cleaner To Intake.
- [8] - Not Shown
Air Cleaner Inlet.
- [9] - EXPIRED ON 01/12/2023

- [10] - Not Shown
EXPIRED ON 6/14/2018

- [11] - Not Shown
(Injector) (3 required)

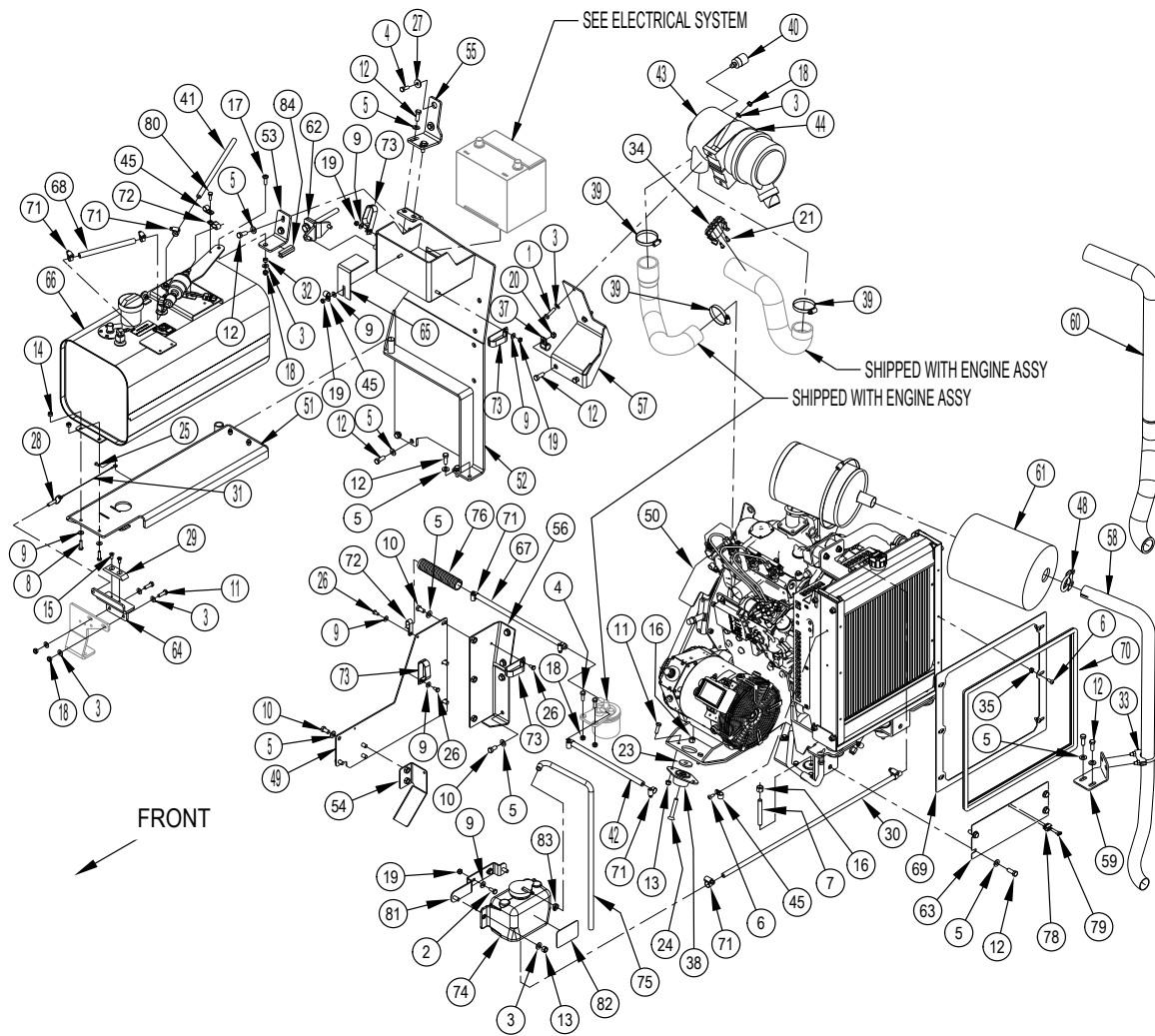


Pos.	Artikelnummer	Hoeveelheid	Omschrijving	Notes
1	56002037	2	BOUT 5/16 18 X .88	
2	56002701	2	Moer	
3	56002708	2	Borgmoer nylon	
4	56003169	4	Schroef M6 1x 60mm	
5	56003180	1	SCR HEX THD/HD M8-1.25X25MM	
6	56009033	4	Schroef 1/4-20X1/2 HP5	
7	56009052	1	MOER	
8	56111319	1	Snelheidssonde	
9	56486112	4	STEUN	
10	56508445	1	SPARK CONTROLLER	
11	56509853	1	BRACKET- MAG PICKUP	
12		1	LPG Exhaust Assy	
12a		4	Scr-Soc Hd M8-1.25 X 20 Mm	
12b	56355488	1	Clamp hose SAE 96 ER	
12c		2	Exhaust Gasket	
12d	56510163	1	MUFFLER-CAT	
12e	56510166	1	SPACER - EXHAUST	
12f	56510177	1	BRACKET SUPPORT	
13	56509998	1	COIL MOUNT WELDT	
14	56510140	1	Ventiel	
15	56510184	1	MANIFOLD-EXHAUST	
16	56510185	1	GOVERNOR-CONTROLLER	
17	56510186	1	BRACKET-GOVERNOR MNT	
18		1	Dipstick Assy	
19	56510200	1	REMOTE OIL DRAIN ASSY	
20	56510349	1	SHIELD-HEAT	
21	56510535	1	ENGINE-KUBOTA DF972 T3	
22	56510552	1	PULLEY-FAN	
23	56510553	1	SPACER-FAN	
24	56510554	1	SPACER-PULLEY	
			Engine Replacement Parts	
	56508454	1	Thermostaat kit	[1]
	56510185	1	GOVERNOR-CONTROLLER	[1]
	56383566	1	LINKAGE KIT-GOVERNOR	[1]
	56383567	1	HARDWARE KIT-GOVERNOR MTG	[1]
	56511877	1	HARNES-GAS-INTERMEDIATE	[1]
	56504531	1	HARNES-IGNITION-DF-WG972	[1]
	56508455	1	PLUG WIRE/COIL KIT	[2]
	56380493	1	SPARK PLUG WIRE KIT-CYL 1	[1]
	56380494	1	SPARK PLUG WIRE KIT- CYL 2	[1]
	56380495	1	SPARK PLUG WIRE KIT- CYL 3	[1]
	56508456	3	Bougie CS 7000 LPG	[1]
	0775-295	1	ALTERNATOR WITH PULLEY	[3]
	56508440	1	STARTER ASSEMBLY	[1]
	56419091	1	Temperatuur schakelaar	[1]
	56508457	1	WATER PUMP ASSY	[1]
	56511572	1	FILTER-OIL-WG972 EFI ENGINE	[1]
	56510299	1	DIPSTICK-DF972	[1]
	56508459	1	GASKET EXHAUST	[4]
	56419090	1	Schakelaar motor	[1]
	56510163	1	MUFFLER-CAT	[1]
	56510629	1	BELT-FAN	[1]
	56510128	1	HOSE-RADIATOR	[1]
	56510129	1	HOSE-RADIATOR	[1]
	56510078	1	HOSE-AIR CLEANER	[5]
	56510090	1	HOSE-AIR CLEANER	[6]
	56504429	1	RELAY ENGINE POWER	[1]
	56504518	1	RELAY-FUEL PUMP	[1]

Pos.	Artikelnummer	Hoeveelheid	Omschrijving	Notes
	50360A	1	ADAPTER 1/8 BSMP X 1/8 NPTF	[1]
	56510976	1	GASKET SET-UPPER WG972	[1]
	56510977	1	GASKET SET-LOWER WG972	[1]
	56510978	1	BRACKET-ALTERNATOR ADJ	[1]
	56510979	1	PULLEY-CRANKSHAFT	[1]
	56510980	1	HOUSING-THERMOSTAT	[1]
	56510981	1	CARBURETOR-WG972	[1]
	56504527	1	GASKET-VALVE COVER-DF972	[1]
	56510971	1	PULLEY-ALTERNATOR	[1]
	56482028	1	Luchtfilter	[1]
	56482029	1	Primair filter	[1]
	56383025	1	CAP-OIL FILL	[1]
	56508355	1	Elect. Brandstofpomp	[7]
	56511234	1	EVAPORATIVE CANISTER	[1]
	56511244	1	CHECK VALVE-PETROL ASSY	[1]
	56508354	1	Brandstof dop	[1]
	56510613	1	Sensor Tank	[8]
	56510614	1	TUBE-FUEL WITHDRAWL	[9]
	56511914	1	CAP-RADIATOR-1.0 BAR	[1]
			Service Kits	
K1	56384867	1	EXHAUST GASKET/BOLTS KIT	[10]

Part Notes:

- [1] - Not Shown
- [2] - 3 Wires 3 Caps
- [3] - Not Shown
40 Amp.
- [4] - EXPIRED ON 04/08/2022
- [5] - Not Shown
Exhaust Manifold
Air Cleaner To Intake
- [6] - Not Shown
- [7] - Air Cleaner Inlet.
Shipped with the engine.
- [8] - Not Shown
EXPIRED ON 01/12/2023
- [9] - Not Shown
EXPIRED ON 6/14/2018
- [10] - Not Shown
includes four Hex Head Bolts not shown

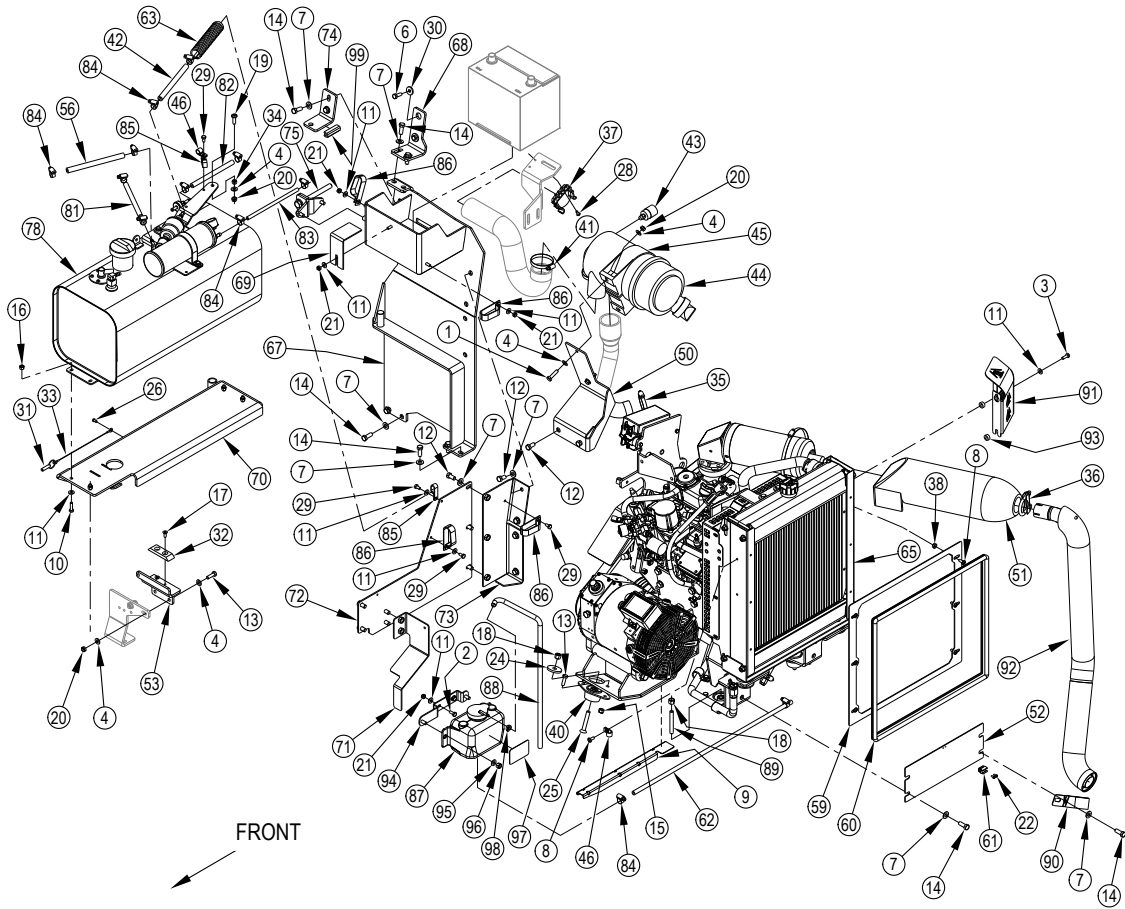


Pos.	Artikelnummer	Hoeveelheid	Omschrijving	Notes
1		2	Scr, Hex 5/16-18 X 1.25	[1]
2		2	Scr, Hex 1/4-20 X .62	[1]
3		11	Wsh, Flt SAE 5/16	[1]
4		4	Scr, Hex 5/16-18 X .88	[1]
5		25	Wsh, Flt SAE 3/8	[1]
6		7	Scr-Pan Phil 1/4-20 X .62	[1]
7		3	Stud-Double Ended	[1]
8		4	Scr, Hex 1/4-20 X 1.00	[1]
9		11	Wsh, Flt SAE 1/4	[1]
10		11	Scr, Hex 3/8-16 X .75	[1]
11		10	Scr, Hex 5/16-18 X 1.00	[1]
12		16	Scr, Hex 3/8-16 X 1.00	[1]
13		10	Nut, Hex Nyl Loc 5/16-18	[1]
14		4	Nut, Hex Nyl Loc 1/4-20	[1]
15		2	Scr, Flt Phil 1/4-20 X .62	[1]
16		4	Nut-Hex Nyl Loc 3/8-16	[1]
17		1	Scr-Pan Phil 5/16-18 X 1.00	[1]
18		7	Nut, Hex Nyl Loc-Thin 5/16-18	[1]
19		5	Nut, Hex Nyl Loc-Thin 1/4-20	[1]
20		1	Nut, Hex Nyl Loc-Thin 3/8-16	[1]
21		2	Scr Panphil Thd Form 10-24x.50	[1]
23	56367117	4	Ring 0,406 x 1,50 x 1,87	
24		1	Scr-Fit Soc Ss 3/8-16 X 2.50	[1]
25		1	Scr, Hex Thd Form 10-24 X .38	[1]
26		3	Scr, Hex Thd Form 1/4-20 X .50	[1]
27		2	Wsh, Flt .344 X .938 X .125	[1]
28	56050356	1	PIN QUICKRLSE--.312DIA .625L	
29	56110514	1	Steun Skid	
30	56510953	1	HOSE-BLACK 1/4 ID X 25	
31	56314400	1	SNOER 9 INCH	
32	56320595	1	Bus	
33	56343236	1	Klem	
34	56396199	1	Klem plastic BA 750/850	
35	56410057	6	BUSHING .26 ID X .50 OD	
37	56419120	1	CLAMP HOSE SUPPORT 56E00616	
38	56419300	4	MOUNT ISOLATOR	
39	56440213	3	Slangklem	
40	56478461	1	Servicemelder	
41	56478488	1	HOSE FUEL LINE E00556	
42	56481686	1	TUBE RUBBER.312X60 E00556	
43	56482478	1	CLEANER AIR	
	56482028	1	Luchtfilter	[2]
	56482029	1	Primair filter	[2]
44	56482621	1	BAND ASSY	
45	56486112	3	STEUN	
48	56508391	1	CLAMP MUFFLER	
49	56511142	1	PLATE-TANK GUARD	
50		1	Diesel Engine Assy	
51	56511128	1	TANK PIVOT WELDT	
52	56511118	1	FUEL TANK SUPPORT WELDT	
53	56511174	1	BRACKET-TANK PIVOT	
54	56509986	1	BRACKET-CABLE	
55	56511120	1	BRACKET-TANK SUPPORT	
56	56511143	1	GUARD MNT WELDT	
57	56510159	1	AIR CLEANER MNT WELDT	
58	56510167	1	TAILPIPE-DIESEL	
59	56510169	1	BRACKET-TAILPIPE	
60	56383071	1	EXHAUST BLANKET KIT-DIESEL	

Pos.	Artikelnummer	Hoeveelheid	Omschrijving	Notes
61	56383072	1	EXHAUST BLANKET KIT-DIESEL	
62	56511199	1	BELT REMOVAL TOOL	
63	56510284	1	PLATE-GUARD	
64	56510295	1	MOUNT WELDT	
65	56511122	1	Neerhouder batterij	
66	56511868	1	DIESEL TANK ASSY-9.2 GAL	
67	56510628	1	HOSE-FUEL	
68	56510630	1	HOSE-FUEL	
69	56511915	1	MOUNT-RADIATOR SEAL	
70	56510730	1	TRIM-SEAL	
71	56756364	9	Slangklem	
72	56004073	2		
73	2-00-05253	4	CLAMP	
74	7-07-02002	1	Expansie Vat	
75	7-33-02644	1	HOSE PVC CLEAR	
76	56419452	1	CONDUIT	[3]
78	56510834	1	CLIP-SPRING 1/2	
79		2	Scr Pan Phil SS 6-32 X .38	[1]
80		1	Scr Hex Thd Form 1/4-20x .75	[1]
81	56394242	1	BRACKET-OVERFLOW BOTTLE	
82	56015463	1	DECAL, COOLANT LEVE	
83	56384956	1	CLAMP-HOSE	
84	56394369	1	TRIM-EDGE-.25X2.00	
			Service Kits	
K1	56510797	1	HARDWARE KIT-ENGINE SYS DIESEL	

Part Notes:

- [1] - K1
 [2] - for 56482478. Not Shown
 [3] - GUARANTEE DATE EXPIRED

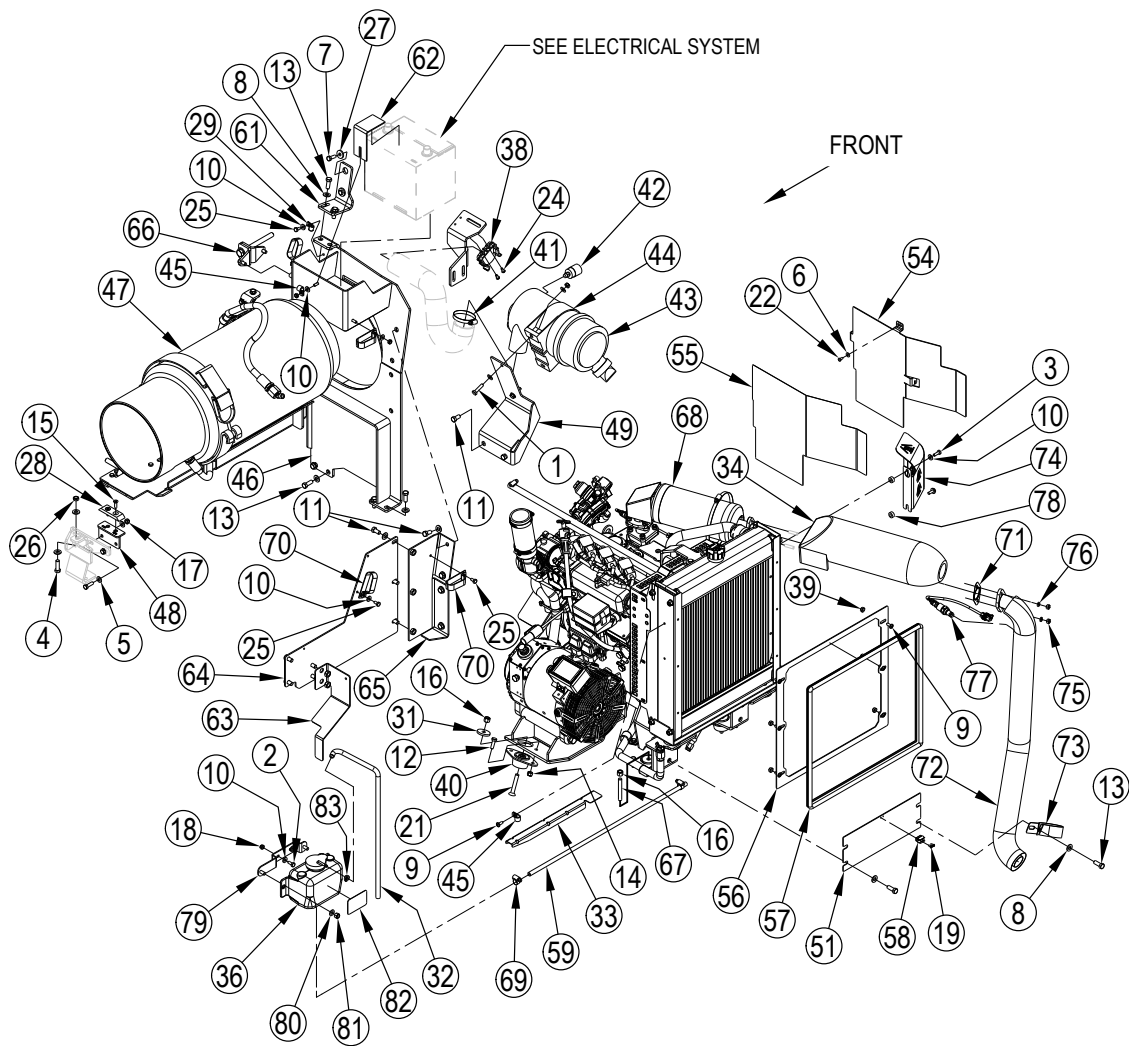


Pos.	Artikelnummer	Hoeveelheid	Omschrijving	Notes
1		2	Scr-Hex 5/16-18 X 1.25	[1]
2		2	Scr-Hex 1/4-20 X .62	[1]
3		2	Scr Hex 1/4-20 X .75	[1]
4		9	Wsh, Fit SAE 5/16	[1]
6		2	Scr-Hex 5/16-18 X .88	[1]
7		23	Wsh, Fit SAE 3/8	[1]
8		7	Scr-Pan Phil 1/4-20 X .62	[1]
9		1	Guard-Wire Harness	[1]
10		4	Scr-Hex 1/4-20 X 1.00	[1]
11		13	Wsh, Fit SAE 1/4	[1]
12		13	Scr-Hex 3/8-16 X .75	[1]
13		10	Scr-Hex 5/16-18 X 1.00	[1]
14		12	Scr-Hex 3/8-16 X 1.00	[1]
15		8	Nut, Hex Nyl Loc 5/16-18	[1]
16		4	Nut, Hex Nyl Loc 1/4-20	[1]
17		2	Scr-Fit Phil 1/4-20 X .62	[1]
18		4	Nut-Hex Nyl Loc 3/8-16	[1]
19		1	Scr-Pan Phil 5/16-18 X 1.00	[1]
20		5	Nut, Hex Nyl Loc-Thin 5/16-18	[1]
21		5	Nut, Hex Nyl Loc-Thin 1/4-20	[1]
22		2	Scr-Pan Phil SS 6-32 X .38	[1]
24		4	Wsh Fit Steel .406cv31c	[1]
25		1	Scr-Fit Soc SS 3/8-16 X 2.50	[1]
26		1	Scr, Hex Thd Form 10-24 X .38	[1]
28		2	Scr, Pan Phil Thd Form 10-24 X .50	[1]
29		4	Scr, Hex Thd Form 1/4-20 X .50	[1]
30		2	Wsh, Fit .344 X .938 X .125	[1]
31	56050356	1	PIN QUICKRLSE-- .312DIA .625L	
32	56110514	1	Steun Skid	
33	56314400	1	SNOER 9 INCH	
34	56320595	1	Bus	
35	56329145	1	Klem slang	
36	56343236	1	Klem	
37	56396199	1	Klem plastic BA 750/850	
38	56410057	6	BUSHING .26 ID X .50 OD	
40	56419300	4	MOUNT ISOLATOR	
41	56440213	2	Slangklem	
42	56511254	1	HOSE FUEL	
43	56478461	1	Servicemelder	
44	56482478	1	CLEANER AIR	
	56482028	1	Luchtfilter	[2]
	56482029	1	Primair filter	[2]
45	56482621	1	BAND ASSY	
46	56486112	2	STEUN	
50	56510159	1	AIR CLEANER MNT WELDT	
51	56384176	1	BLANKET-CATALYTIC CONVERTER	
52	56510284	1	PLATE-GUARD	
53	56510295	1	MOUNT WELDT	
56	56306096	1	HOSE FUEL	
59	56511915	1	MOUNT-RADIATOR SEAL	
60	56510730	1	TRIM-SEAL	
61	56510834	1	CLIP-SPRING 1/2	
62	56510953	1	HOSE-BLACK 1/4 ID X 25	
63	56419452	1	CONDUIT	[3]
65		1	Petrol Engine Assy	
67	56511118	1	FUEL TANK SUPPORT WELDT	
68	56511120	1	BRACKET-TANK SUPPORT	
69	56511122	1	Neerhouder batterij	

Pos.	Artikelnummer	Hoeveelheid	Omschrijving	Notes
70	56511128	1	TANK PIVOT WELDT	
71	56511141	1	Kabelbescherming Gelast	
72	56511142	1	PLATE-TANK GUARD	
73	56511143	1	GUARD MNT WELDT	
74	56511174	1	BRACKET-TANK PIVOT	
75	56511199	1	BELT REMOVAL TOOL	
78		1	Petrol Tank Assy	
81	56511248	1	HOSE-FUEL LINE	
82	56511249	1	HOSE-FUEL LINE	
83	56511251	1	HOSE-FUEL LINE	
84	56756364	12	Slangklem	
85	56004073	2		
86	2-00-05253	4	CLAMP	
87	56394241	1	BOTTLE-OVERFLOW	
88	7-33-02644	1	HOSE PVC CLEAR	
89	56511500	3	STUD-DOUBLE ENDED	
90	56511631	1	HANGER-TAILPIPE	
91	56511919	1	SHIELD-HEAT	
92	56511948	1	EXHAUST PIPE WELDMENT-PETROL	
93	56511913	1	SPACER-HEAT SHEILD	
94	56394242	1	BRACKET-OVERFLOW BOTTLE	
95	56001939	11	Ring	
96	56002701	10	Moer	
97	56015463	1	DECAL, COOLANT LEVE	
98	56384956	1	CLAMP-HOSE	
99	56394369	1	TRIM-EDGE-.25X2.00	
			Service Kits	
K1	56510795	1	HARDWARE KIT-ENGINE SYS LPG	
K2	56384018	1	WIRE HARNESS GUARD KIT	

Part Notes:

- [1] - K1
 [2] - for 56482478. Not Shown
 [3] - GUARANTEE DATE EXPIRED

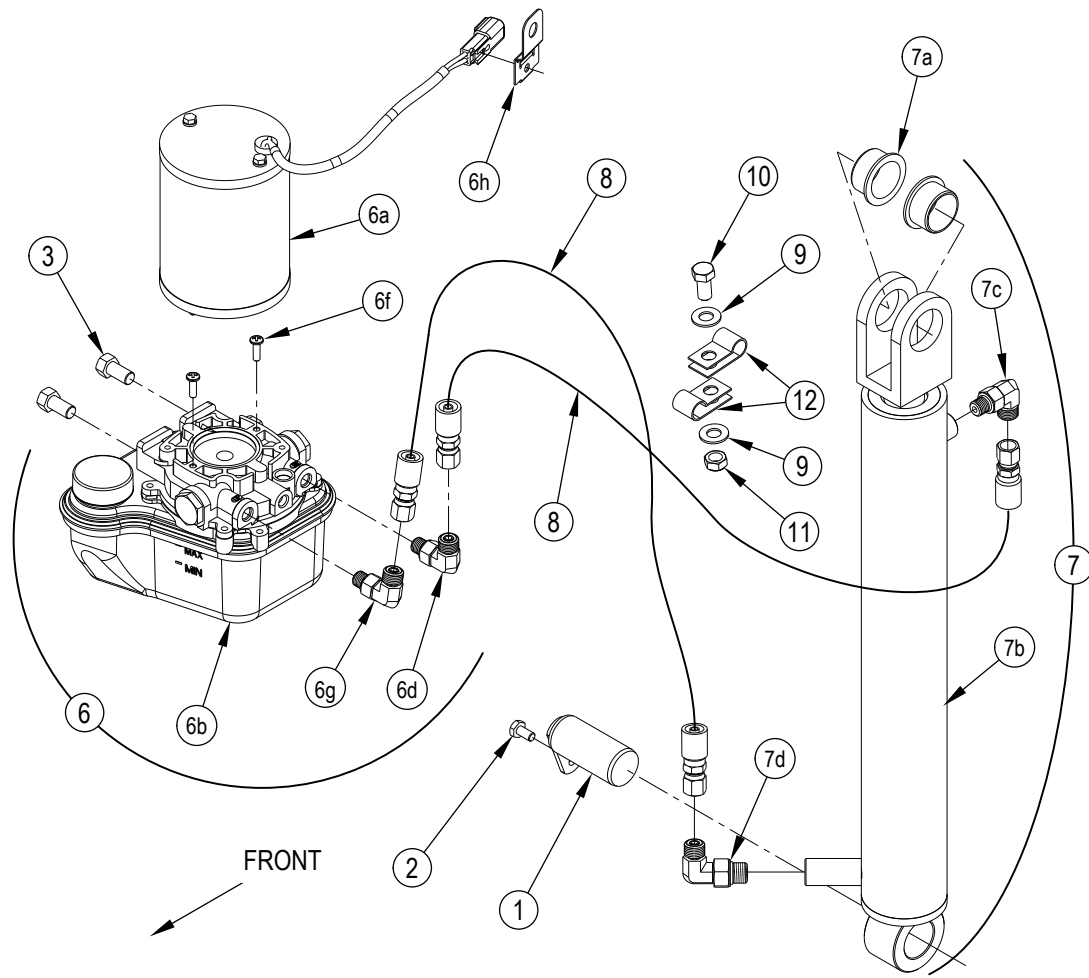


Pos.	Artikelnummer	Hoeveelheid	Omschrijving	Notes
1		2	Scr-Hex 5/16-18 X 1.25	[1]
2		2	Scr-Hex 1/4-20 X .62	[1]
3		2	Scr Hex 1/4-20 X .75	[1]
4		1	Scr-Hex 3/8-16 X 1.25	[1]
5		8	Wsh, Flt Sae 5/16	[1]
6		1	Wsh, Flt Sae #10	[1]
7		2	Scr-Hex 5/16-18 X .88	[1]
8		23	Wsh, Flt Sae 3/8	[1]
9		7	Scr-Pan Phil 1/4-20 X .62	[1]
10		8	Wsh, Flt Sae 1/4	[1]
11		13	Scr-Hex 3/8-16 X .75	[1]
12		10	Scr-Hex 5/16-18 X 1.00	[1]
13		10	Scr-Hex 3/8-16 X 1.00	[1]
14		8	Nut, Hex Nyl Loc 5/16-18	[1]
15		2	Scr-Flt Phil 1/4-20 X .88	[1]
16		4	Nut-Hex Nyl Loc 3/8-16	[1]
17		4	Nut, Hex Nyl Loc-Thin 5/16-18	[1]
18		5	Nut, Hex Nyl Loc-Thin 1/4-20	[1]
19	56002909	2	Bout	
21		1	Scr-Flt Soc Ss 3/8-16 X 2.50	[1]
22		1	Scr, Hex Thd Form 10-24 X .38	[1]
24		2	Scr, Pan Phil Thd Form 10-24 X .50	[1]
25		4	Scr, Hex Thd Form 1/4-20 X .50	[1]
26		1	Nut-Hex Jam 3/8-16	[1]
27		2	Wsh, Flt .344 X .938 X .125	[1]
28	56110514	1	Steun Skid	
29	56323260	1	Klem Kabel	
31	56367117	4	Ring 0,406 x 1,50 x 1,87	
32	7-33-02644	1	HOSE PVC CLEAR	
33		1	Guard-Wire Harness	[2]
34	56384176	1	BLANKET-CATALYTIC CONVERTER	
36	56394241	1	BOTTLE-OVERFLOW	
38	56396199	1	Klem plastic BA 750/850	
39	56410057	6	BUSHING .26 ID X .50 OD	
40	56419300	4	MOUNT ISOLATOR	
41	56440213	1	Slangklem	
42	56478461	1	Servicemelder	
43	56482478	1	CLEANER AIR	
	56482028	1	Luchtfilter	[3]
	56482029	1	Primair filter	[3]
44	56482621	1	BAND ASSY	
45	56486112	2	STEUN	
46	56509741	1	LPG TANK SUPPORT WELDT	
47		1	Lp Fuel Tank Assy	[4]
48	56510098	1	TANK MNT WELDT	
49	56510159	1	AIR CLEANER MNT WELDT	
51	56510284	1	PLATE-GUARD	
54	56510652	1	SHIELD-HEAT-MUFFLER	
55	56510714	1	FOAM INSULATION	
56	56511915	1	MOUNT-RADIATOR SEAL	
57	56510730	1	TRIM-SEAL	
58	56510834	1	CLIP-SPRING 1/2	
59	56510953	1	HOSE-BLACK 1/4 ID X 25	
61	56511120	1	BRACKET-TANK SUPPORT	
62	56511122	1	Neerhouder batterij	
63	56511141	1	Kabelbescherming Gelast	
64	56511142	1	PLATE-TANK GUARD	
65	56511143	1	GUARD MNT WELDT	

Pos.	Artikelnummer	Hoeveelheid	Omschrijving	Notes
66	56511199	1	BELT REMOVAL TOOL	
67	56511500	3	STUD-DOUBLE ENDED	
68		1	Power Unit-LPG LEV	
69	56756364	2	Slangklem	
70	2-00-05253	2	CLAMP	
71	56511521	1	GASKET-TAIL PIPE	
72	56511947	1	EXHAUST PIPE WELDMENT-LP	
73	56511631	1	HANGER-TAILPIPE	
74	56511919	1	SHIELD-HEAT	
75	56003352	2	NUT HEX M8	
76	56003685	2	WASHER NORD LOC M8	
77	56511522	1	SENSOR-OXYGEN-WG972 ENG	
78	56511913	1	SPACER-HEAT SHEILD	
79	56394242	1	BRACKET-OVERFLOW BOTTLE	
80	56001939	11	Ring	
81	56002701	10	Moer	
82	56015463	1	DECAL, COOLANT LEVE	
83	56384956	1	CLAMP-HOSE	
			Service Kits	
K1	56510795	1	HARDWARE KIT-ENGINE SYS LPG	
K2	56384018	1	WIRE HARNESS GUARD KIT	

Part Notes:

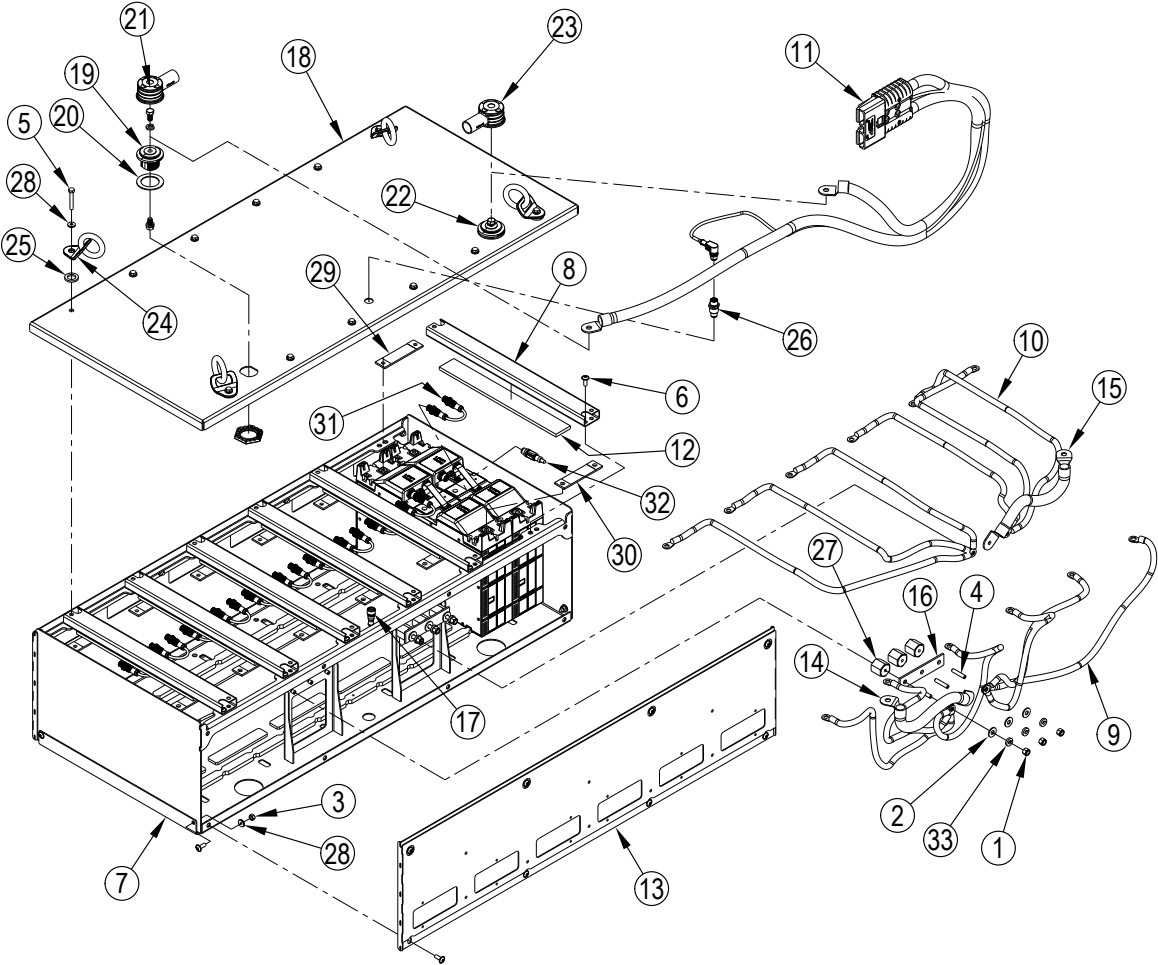
- [1] - K1
- [2] - K2
- [3] - for 56482478. Not Shown
- [4] - Engine System-LPG LEV



Pos.	Artikelnummer	Hoeveelheid	Omschrijving	Notes
1	56416308	1	ScharnierpenLeft Hinge Pin Weldt	
2		1	Scr, Hex Hd Loc 1/4-20 x .50	[1]
3		2	Scr, Hex Hd Loc 3/8-16 x .75	[1]
6	56511837	1	HYDRAULIC POWER PACK ASSY	
6a	56511831	1	MOTOR-36V-3669RPM-0.55HP	
6b	56509374	1	HYDRAULIC PUMP/RESERVOIR ASSY	
	56509383	1	HYDRAULIC RESERVOIR KIT	[2]
	56509375	1	CAP-HYDRAULIC RESERVOIR	[2]
6d	2-00-04892	1	Hyd adapter	
6f	56002202	2	SCR PAN PHIL 10-32 X .62	
6h	56394412	1		
6g	56394108	1	FTG-ELBOW ORF-.047-HYD-4-ORFS	
7		1	Hopper Lift Cylinder Assy	
7a	56507941	2	BEARING 1.125X1.281X.750	
7b	56509377	1	CYLINDER-HYDRAULIC 2.00 X 13.0	
	56509381	1	SEAL KIT	[3]
7c	2-00-04892	1	Hyd adapter	
7d	2-00-04926	1	Koppeling 90 SAE6 naar ORS4	
8	8-33-02178	2	HOSE-HYD ORS4 STR ENDS 14	
9	56002063	2	Vulring	
10	56002127	1	SCR HEX 3/8-16 X .75	
11	56002841	1	MOER	
12	56385491	2	CLAMP-P-.50 DIA G S	
			Service Kits	
K1	56511891	1	HARDWARE KIT-HYDRAULIC SYS	

Part Notes:

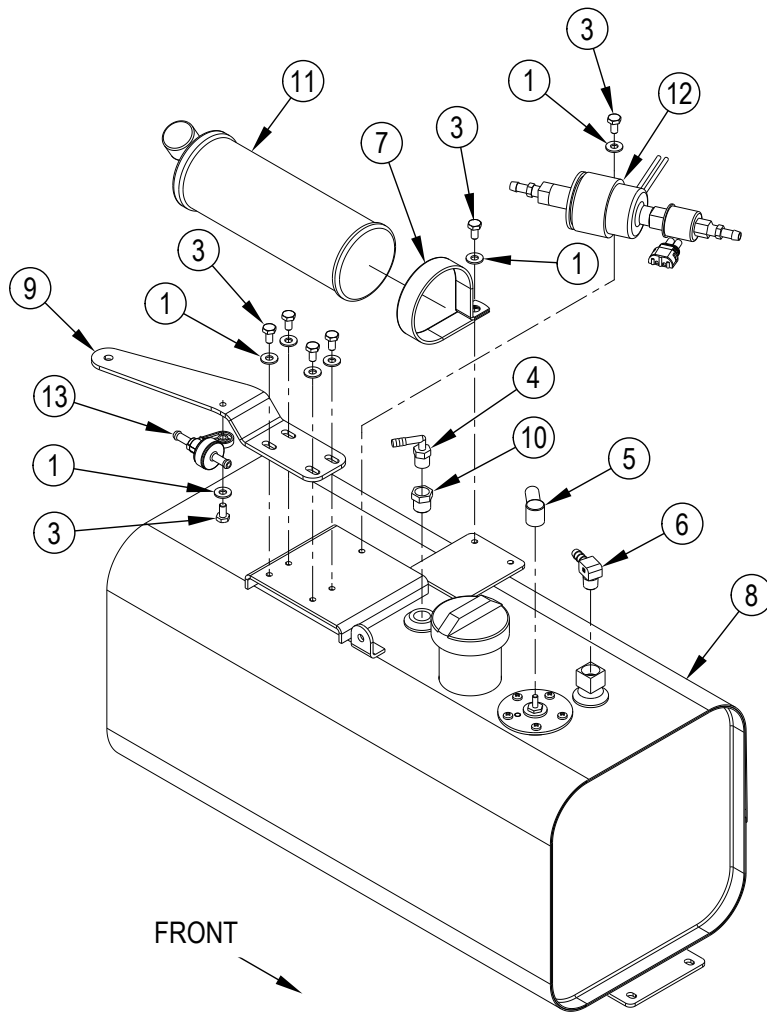
- [1] - K1
 [2] - for 56509374
 [3] - for 56509377



Pos.	Artikelnummer	Hoeveelheid	Omschrijving	Notes
1	56002491	6	Moer	
2	56002914	6	WSH FLT STD SS 1/4	
3	56003350	4	Moer M6	
4	56003782	6	SCR SOC SET LOC 1/4-20X1.25 ZP	
5	56003935	12	SCR-HEX SS M6-1 X 40MM	
6	56004157	32	SCR TRX M6X16 W/THD LCK BLK	
7	56125044	1	BATTERY BOX BASE WELDMENT	
8	56125048	6	SPACER-BATTERY BOX	
9	56125050	6	CABLE ASSY-4 GA-BATT-POS	
10	56125051	6	CABLE ASSY-4 GA-BATT-NEG	
11	56125052	1	CABLE-CONTROL/POWER-BATT	
12	56125056	6	FOAM-VIBRATION-305X38MM	
13	56125061	2	COVER WELDMENT-BATTERY BOX	
14	56125079	1	CABLE-4/0-POS	
15	56125080	1	CABLE-4/0-NEG	
16	56125099	2	BUSBAR-TRIPLE	
17	56125111	1	CABLE-CONTROL-M12 5 PIN M/F-1M	
18	56125155	1	TOP COVER-BATTERY BOX	
19	56125156	1	FEEDTHROUGH TERM-750 AMP-RED	
20	56125157	2	GASKET-FEEDTHROUGH TERM-750A	
21	56125158	1	BOOT-FEEDTHROUGH TERM-750A-RED	
22	56125159	1	FEEDTHROUGH TERM-750 AMP-BLACK	
23	56125160	1	BOOT-FEEDTHROUGH TERM-750A-BLK	
24	56125180	4	BRACKET-LIFT HOOK	
25	56368776	4	Ring	
26	56394842	1		
27	56469858	6	ELECTRICAL MOUNT	
28	56900737	16	Ring	
29	106445007	6	BRAIDED CABLE M6	[1]
30	106445008	6	BRAIDED CABLE M8	[1]
31	106445009	11	CONTROL CABLE, NEIGHBOUR MODULES 156 MM	[1]
32	106470002	1	TERMINATION RESISTOR	
33	2-00-04687	6	Lockwasher helical .25scr med	

Part Notes:

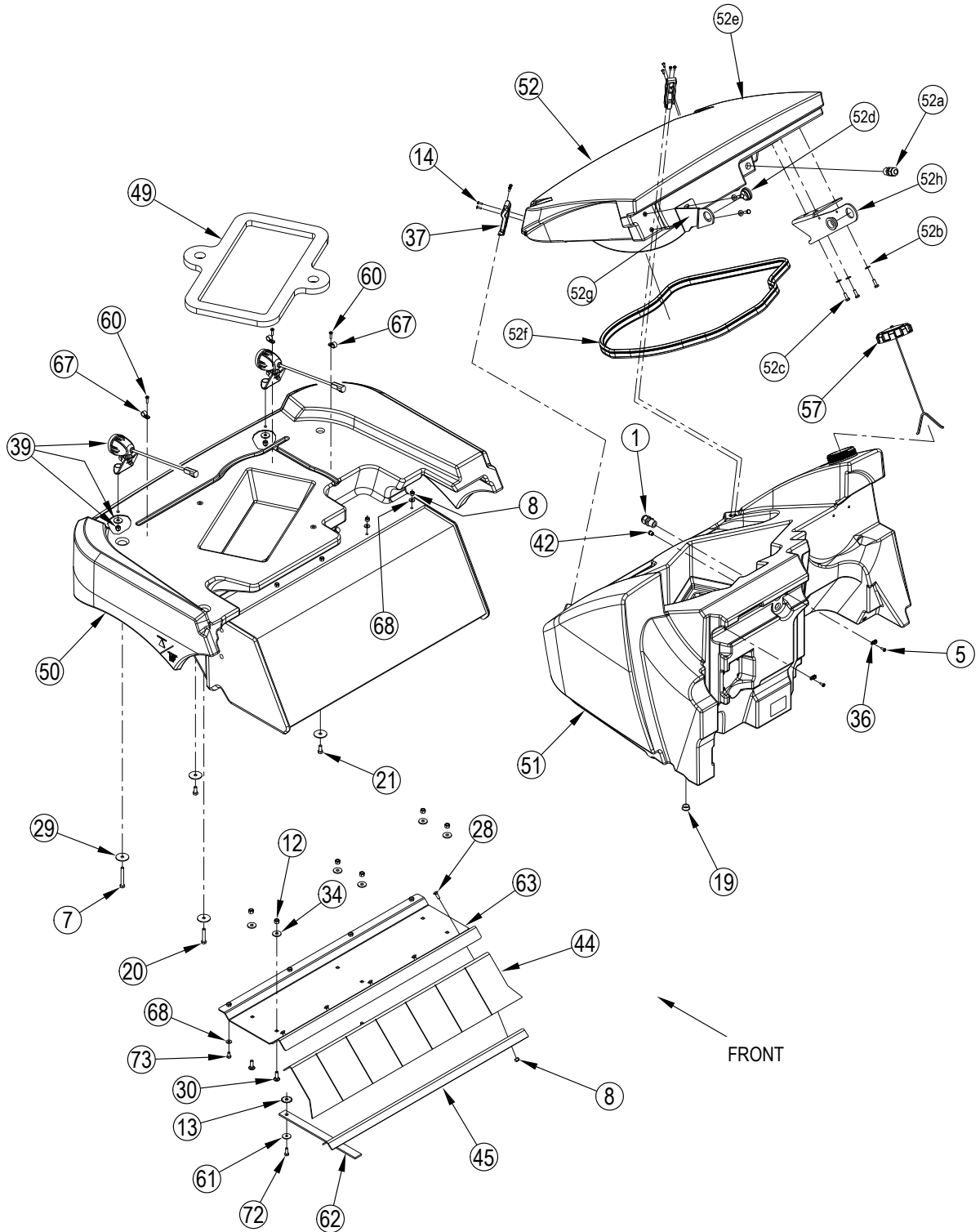
[1] - NEVER LAUNCHED



Pos.	Artikelnummer	Hoeveelheid	Omschrijving	Notes
1	56002098	7	Ring 1/4	
3	56009033	7	Schroef 1/4-20X1/2 HP5	
4	56470138	1	BARB	
5	56492305	1	Pakking	
6	56510495	1	BARB-90 ELBOW 5/16 X 1/4NPT	
7	56409463	1	STEUNRING SLANG	
8	56511235	1	FUEL TANK ASSEMBLY	
9	56511247	1	BRACKET-TANK SUPPORT	
10	56750363	1	Bus 3/8 x 1/4	
11	56511234	1	EVAPORATIVE CANISTER	
12	56511864	1	PUMP-FUEL-ELECTRONIC	[1]
13	56511244	1	CHECK VALVE-PETROL ASSY	
	56508354	1	Brandstof dop	[2]
	56510613	1	Sensor Tank	[3]
	56510614	1	TUBE-FUEL WITHDRAWL	[4]

Part Notes:

- [1] - M25
 [2] - Not Shown
 [3] - EXPIRED ON 01/12/2023
 Not Shown
 [4] - EXPIRED ON 6/14/2018
 Not Shown

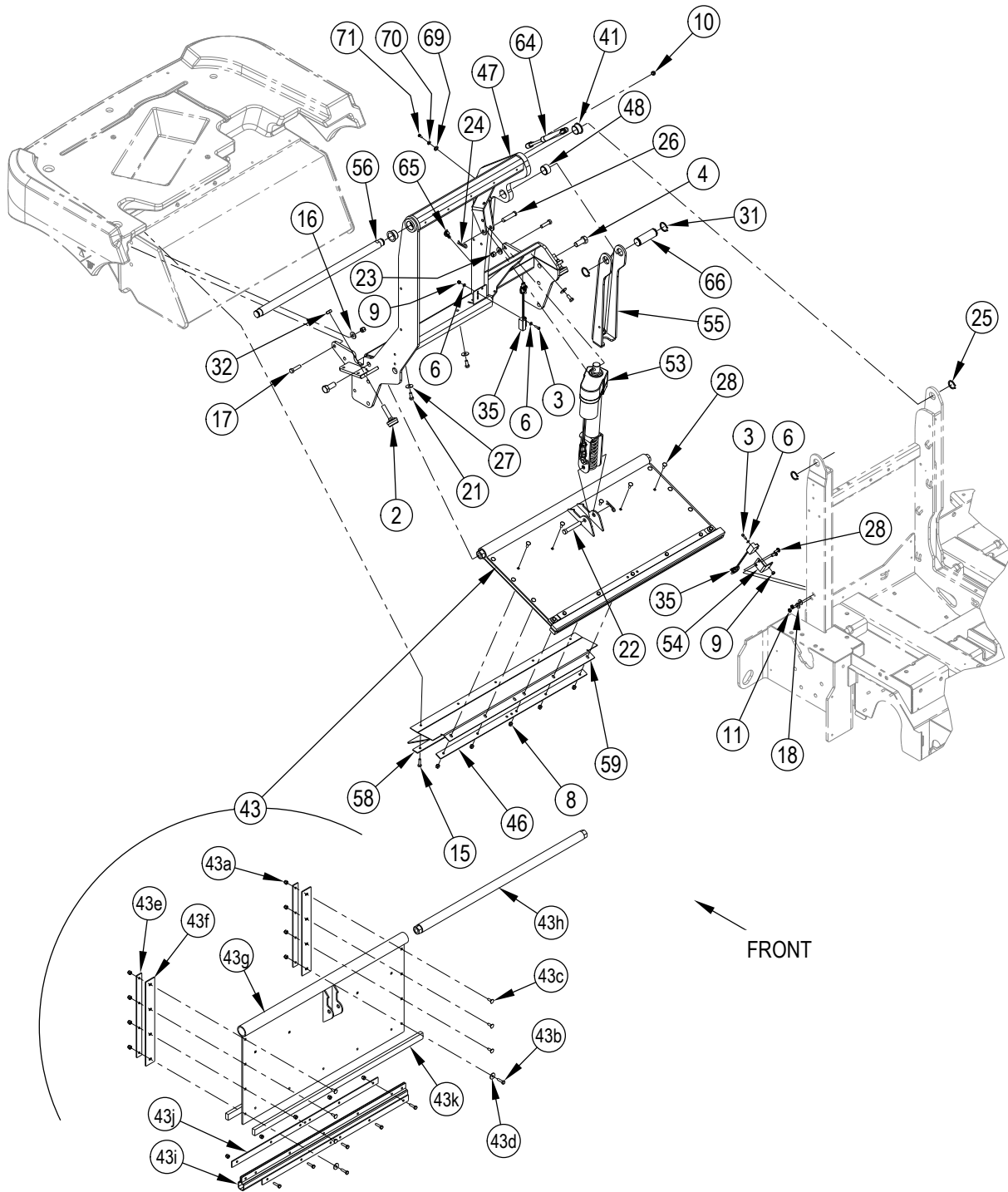


Pos.	Artikelnummer	Hoeveelheid	Omschrijving	Notes
1	56323135	1	Strain relief	
2	56449221	2	BUMPER 1.43 DIA. CV660N	
3		3	Scr, Soc Hd 10-24 X 0.62	[1]
4		2	Scr, Hex 5/8-11 X 1.50	[1]
5		2	Scr-Pan Phil 10-24 X .50	[1]
6		5	Wsh, Flt SAE #8	[1]
7		1	Scr, Hex 5/16-18 X 2.50	[1]
8		15	Nut, Hex Nyl Loc SS 1/4-20	[2]
9		3	Nut, Hex Nyl Loc 10-24	[1]
10		1	Nut, Hex Nyl Loc-Thin 5/16-18	[1]
11		2	Nut, Hex Nyl Loc-Thin SS 1/4-20	[1]
12		6	Nut, Hex Nyl Loc SS 5/16-18	[3]
13	2-00-03829	1	Lk wash int/ext tooth .38 D scr	
14		8	Screw 8-32 X 3/8 Phn Ph Ss	[4]
15	56002883	5	Bout	[5]
16		2	Wsh, Flt Std SS 3/8	[1]
17		4	Scr- Hex SS 3/8-16 X 1.50	[1]
18		2	Wsh, Flt Std SS 1/4	[1]
19	56900041	1	PLUG CAP E00046	
20		1	Scr, Hex 5/16-18 X 1.75	[1]
21		5	Scr- Hex SS 5/16-18 X .75	[1]
22		1	Pin,Clevis .500 X 3.00	[1]
23		2	Nut, Hex Nyl Loc SS 3/8-16	[1]
24		2	Pin, Cotter Hair	[1]
25		2	Ring, Ret Ext 1.00 Shaft	[1]
26		1	Clevis Pin	[1]
27		3	Wsh-Flt SS .33 X 1.00 X.060	[1]
28		12	Scr-Carriage SS 1/4-20 X .75	[2]
29		4	Wsh-Flt SS .344 X 1.500 X .080	[1]
30		6	Scr-Carriage SS 5/16-18 X 1.00	[6]
31		2	Ring, Ret Ext 1.125 Shaft	[1]
32		2	Nut, Hex Jam 1/2-13	[1]
34		6	Wsh-Flt SS .344 X 1.000 X .109	[6]
35	56511830	2	SENSOR-PROXIMITY	[7]
36	56469854	2	TIE ANCHOR	
37	56507188	2	Klinkinrichting hopper	[8]
39	56383035	2	Koplamp set CS 7000	[9]
40	56383029	2	ADAPTER DT06 TO MP280	
41	56507941	2	BEARING 1.125X1.281X.750	[10]
42	56509079	1	PLUG-PIPE 1/8 NPT PLASTIC	
43	56511192	1	DUMP DOOR ASSY	
43a	56002491	13	Moer	
43b	56002883	7	Bout	
43c	56003715	6	Schroef Carriage SS 1/4-20X.75	
43d	56009002	2	Ring plat 266x906x060	
43e	56507177	2	Dichting hopperbevestiging	
43f	56507178	2	SEAL HOPPER DOOR SIDE	
43g	56511155	1	HOPPER DOOR WELDT	
43h	56509141	1	DUMP DOOR PIVOT WELDT	
43i	56509144	1	SEAL-HOPPER DOOR BOTTOM	
43j		2	Clamp-Hopper Door Bottom	[11]
43k	56509146	2	ONDERSTE DEUR PAKKING	
44		1	Flap-Hopper	[12]
45		1	Clamp-Hopper Flap	[12]
46		1	Clamp-Hopper Door Bottom	[11]
47	56509388	1	HOPPER LIFT WELDMENT	
48	56509398	1	BEARING-SLV 1.125X1.281X0.750	
49	56509399	1	SEAL-HOPPER	

Pos.	Artikelnummer	Hoeveelheid	Omschrijving	Notes
50	56509400	1	HOPPER-LOWER	
51	56509401	1	HOPPER-UPPER	
52		1	Hopper Cover Assy	[8]
52a		1	Strain Relief	[8]
52b		5	Wsh, Flt SAE 1/4	[8]
52c		5	Scr, Hex 1/4-20 X .75	[8]
52d		2	Bearing, FI 1 Id X 1-1/4 Od X 1/2 L	[8]
52e		1	Cover-Hopper	[8]
52f		1	Seal - Hopper Cover	[8]
52g		1	Hinge-Hopper Cover Lt	[8]
52h		1	Hinge-Hopper Cover Rt	[8]
53	56511759	1	ACTUATOR ASSY-DUMP DOOR	
54	56383694	1	sensor houder	
55	56509798	1	PROP ROD ASSY	
56	56509989	1	BAR-HOPPER HINGE	
57	56510148	1	CAP VENTED W/ TETHER	
58		1	Clamp-Hopper Door Seal	
59		1	Seal-Hopper Door	
60	56009005	3	Schroef	
61		1	Wsh-Flt Ss .260 x 1.000 x .074	
62	56416517	1	Strap Static	
63		1	Hopper Skid Weldt	
64	56394131	1	SPRING-GAS-175 POUND	
65	56507793	1	CLIP CONDUIT	
66	56507885	1	PIN	
67	56056903	3	CLAMP LOOP E00129	
68	56002859	5	Ring	
69	2-00-02303	1	LK WASH INT TOOTH ZINC PL	
70	56001954	1	Schroef	
71	56009029	1	SCR PANPHIL THD FORM 10-24X.50	
72	56002807	1	SCR HEX SS 1/4-20 X .75	
73	56002935	1	SCR HEX LOC SS 1/4-20 X .5	
			Service Kits	
K1	56510793	1	HOPPER COVER KIT	
K2	56510796	1	SKID PLATE KIT-HOPPER	
K3	56510800	1	HOPPER FLAP KIT	
K4	56511890	1	HARDWARE KIT-HOPPER SYS	
K5	56510801	1	HOPPER DOOR SEAL KIT	
K6	56511579	1	HOPPER GUARD KIT	

Part Notes:

- [1] - K4
- [2] - K3,K4,K5
- [3] - K2,K4,K6
- [4] - K1,K4
- [5] - K4,K5
- [6] - K2,K4
- [7] - SW6 / SW13
- [8] - K1
- [9] - LT2 / LT3
- [10] - Not Shown
- [11] - K5
- [12] - K3

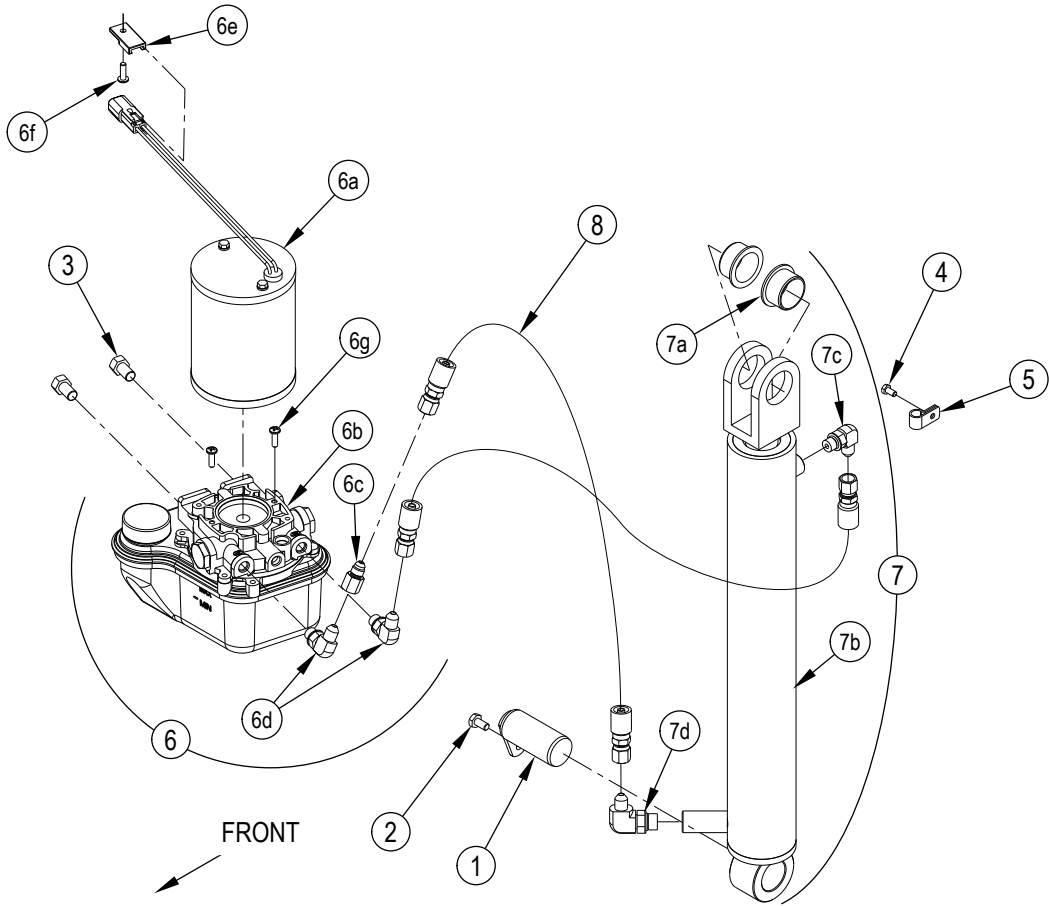


Pos.	Artikelnummer	Hoeveelheid	Omschrijving	Notes
1	56323135	1	Strain relief	
2	56449221	2	BUMPER 1.43 DIA. CV660N	
3		3	Scr, Soc Hd 10-24 X 0.62	[1]
4		2	Scr, Hex 5/8-11 X 1.50	[1]
5		2	Scr-Pan Phil 10-24 X .50	[1]
6		5	Wsh, Flt SAE #8	[1]
7		1	Scr, Hex 5/16-18 X 2.50	[1]
8		15	Nut, Hex Nyl Loc SS 1/4-20	[2]
9		3	Nut, Hex Nyl Loc 10-24	[1]
10		1	Nut, Hex Nyl Loc-Thin 5/16-18	[1]
11		2	Nut, Hex Nyl Loc-Thin SS 1/4-20	[1]
12		6	Nut, Hex Nyl Loc SS 5/16-18	[3]
13	2-00-03829	1	Lk wash int/ext tooth .38 D scr	
14		8	Screw 8-32 X 3/8 Phn Ph Ss	[4]
15		5	Scr- Hex SS 1/4-20 X 1.00	[5]
16		2	Wsh, Flt Std SS 3/8	[1]
17		4	Scr- Hex SS 3/8-16 X 1.50	[1]
18		2	Wsh, Flt Std SS 1/4	[1]
19	56900041	1	PLUG CAP E00046	
20		1	Scr, Hex 5/16-18 X 1.75	[1]
21		5	Scr- Hex SS 5/16-18 X .75	[1]
22		1	Pin,Clevis .500 X 3.00	[1]
23		2	Nut, Hex Nyl Loc SS 3/8-16	[1]
24		2	Pin, Cotter Hair	[1]
25		2	Ring, Ret Ext 1.00 Shaft	[1]
26		1	Clevis Pin	[1]
27		3	Wsh-Flt SS .33 X 1.00 X.060	[1]
28		12	Scr-Carriage SS 1/4-20 X .75	[2]
29		4	Wsh-Flt SS .344 X 1.500 X .080	[1]
30		6	Scr-Carriage SS 5/16-18 X 1.00	[6]
31		2	Ring, Ret Ext 1.125 Shaft	[1]
32		2	Nut, Hex Jam 1/2-13	[1]
34		6	Wsh-Flt SS .344 X 1.000 X .109	[6]
35	56511830	2	SENSOR-PROXIMITY	[7]
36	56469854	2	TIE ANCHOR	
37	56507188	2	Klinkinrichting hopper	[8]
39	56383035	2	Koplamp set CS 7000	[9]
40	56383029	2	ADAPTER DT06 TO MP280	[10]
41	56507941	2	BEARING 1.125X1.281X.750	
42	56509079	1	PLUG-PIPE 1/8 NPT PLASTIC	
43	56511192	1	DUMP DOOR ASSY	
43a	56002491	13	Moer	
43b	56002883	7	Bout	
43c	56003715	6	Schroef Carriage SS 1/4-20X.75	
43d	56009002	2	Ring plat 266x906x060	
43e	56507177	2	Dichting hopperbevestiging	
43f	56507178	2	SEAL HOPPER DOOR SIDE	
43g	56511155	1	HOPPER DOOR WELDT	
43h	56509141	1	DUMP DOOR PIVOT WELDT	
43i	56509144	1	SEAL-HOPPER DOOR BOTTOM	
43j		2	Clamp-Hopper Door Bottom	[11]
43k	56509146	2	ONDERSTE DEUR PAKKING	
44		1	Flap-Hopper	[12]
45		1	Clamp-Hopper Flap	[11]
46		1	Clamp-Hopper Door Bottom	[11]
47	56509388	1	HOPPER LIFT WELDMENT	
48	56509398	1	BEARING-SLV 1.125X1.281X0.750	
49	56509399	1	SEAL-HOPPER	

Pos.	Artikelnummer	Hoeveelheid	Omschrijving	Notes
50	56509400	1	HOPPER-LOWER	
51	56509401	1	HOPPER-UPPER	
52		1	Hopper Cover Assy	[8]
52a		1	Strain Relief	[8]
52b		5	Wsh, Flt SAE 1/4	[8]
52c		5	Scr, Hex 1/4-20 X .75	[8]
52d		2	Bearing, FI 1 Id X 1-1/4 Od X 1/2 L	[8]
52e		1	Cover-Hopper	[8]
52f		1	Seal - Hopper Cover	[8]
52g		1	Hinge-Hopper Cover Lt	[8]
52h		1	Hinge-Hopper Cover Rt	[8]
52i		1	Seal-Hopper Cover	[8]
53	56511759	1	ACTUATOR ASSY-DUMP DOOR	
54	56383694	1	sensor houder	
55	56509798	1	PROP ROD ASSY	
56	56509989	1	BAR-HOPPER HINGE	
57	56510148	1	CAP VENTED W/ TETHER	
58		1	Clamp-Hopper Door Seal	[11]
59		1	Seal-Hopper Door	[11]
60	56009005	3	Schroef	
61		1	Wsh-Flt Ss .260 x 1.000 x .074	[1]
62	56416517	1	Strap Static	
63		1	Hopper Skid Weldt	[13]
64	56394131	1	SPRING-GAS-175 POUND	
65	56507793	1	CLIP CONDUIT	
66	56507885	1	PIN	
67	56056903	3	CLAMP LOOP E00129	
68	56002859	8	Ring	
69	2-00-02303	1	LK WASH INT TOOTH ZINC PL	
70	56001954	1	Schroef	
71	56009029	1	SCR PANPHIL THD FORM 10-24X.50	
73	56002935	1	SCR HEX LOC SS 1/4-20 X .5	
72	56002807	1	SCR HEX SS 1/4-20 X .75	
			Service Kits	
K1	56510793	1	HOPPER COVER KIT	
K2	56510796	1	SKID PLATE KIT-HOPPER	
K3	56510800	1	HOPPER FLAP KIT	
K4	56511890	1	HARDWARE KIT-HOPPER SYS	
K5	56510801	1	HOPPER DOOR SEAL KIT	
K6	56511579	1	HOPPER GUARD KIT	

Part Notes:

- [1] - K4
- [2] - K3,K4,K5
- [3] - K2,K4,K6
- [4] - K1,K4
- [5] - K4,K5
- [6] - K2,K4
- [7] - SW6 / SW13
- [8] - K1
- [9] - LT2 / LT3
- [10] - Not Shown
- [11] - K5
- [12] - K3
- [13] - K2



Hydraulic System-37 FLARE EQUIPPED MACHINES

CS7010 1200B NIL

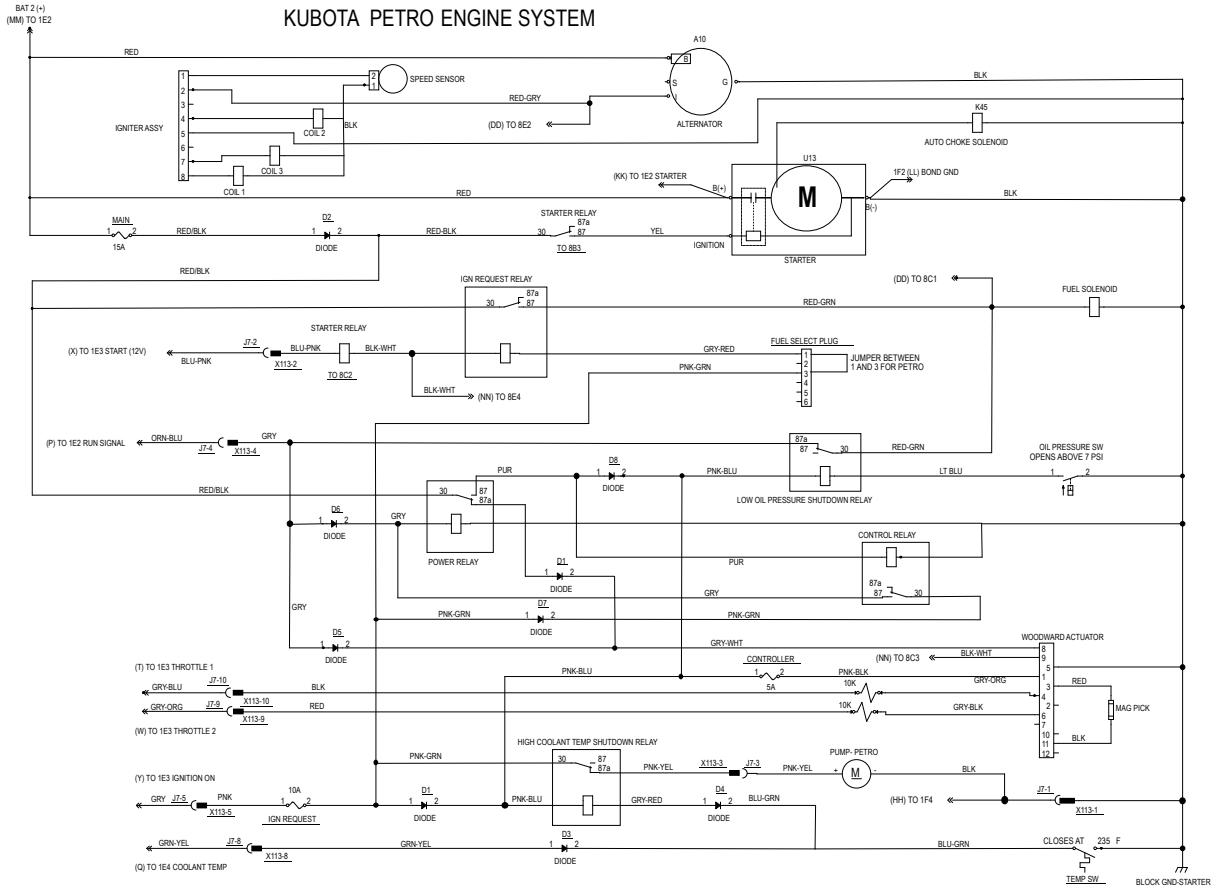
2018.10.13

2018.10.22

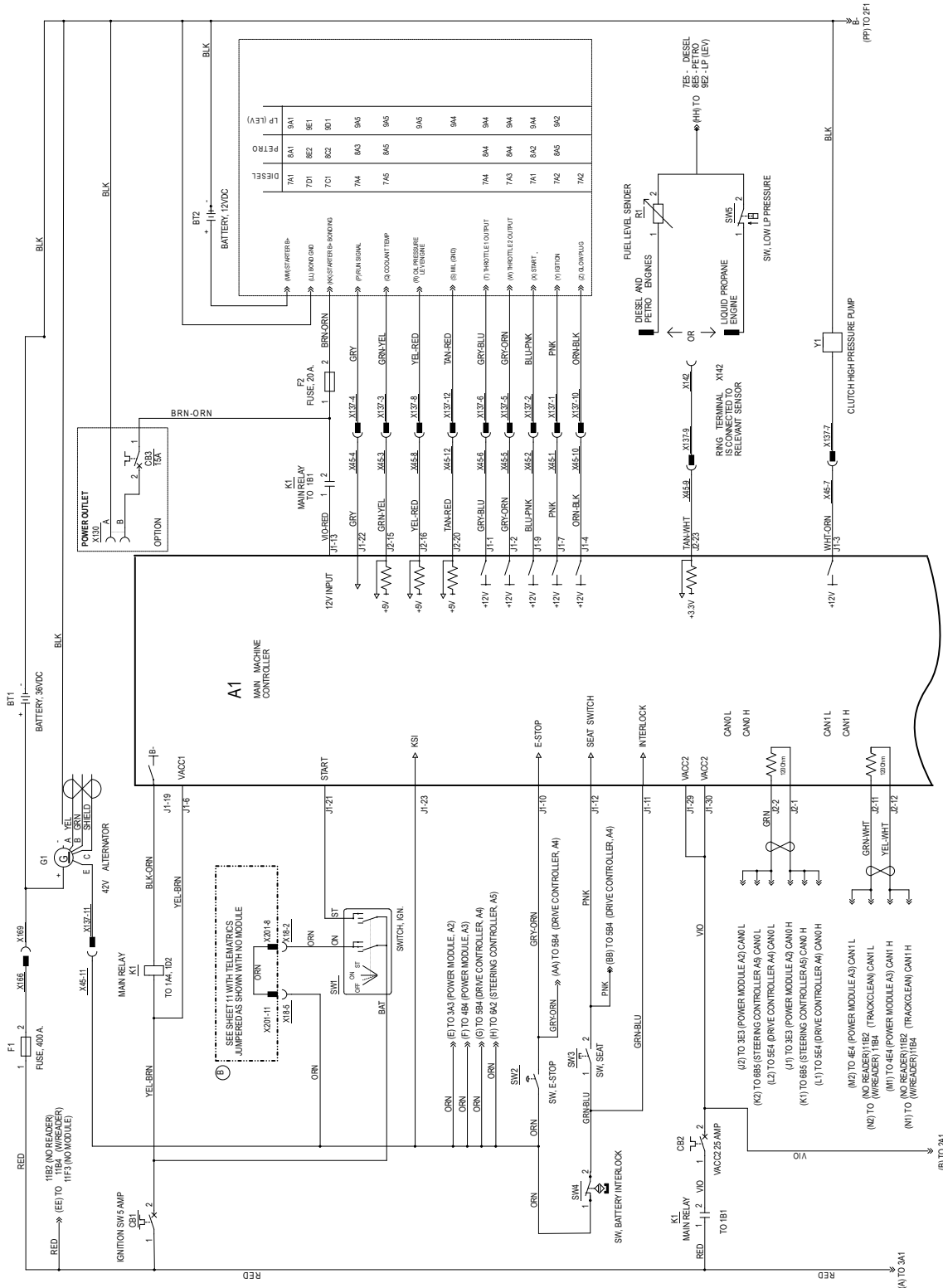
Pos.	Artikelnummer	Hoeveelheid	Omschrijving	Notes
1	56416308	1	Scharnierpen	
2		1	Scr, Hex Hd Loc 1/4-20x.50	[1]
3		2	Scr, Hex Hd Loc 3/8-16x.75	[1]
4		1	Scr, Hex Thd Form 10-24 X .38	[1]
5		1	Clamp-P	[1]
6	56511837	1	HYDRAULIC POWER PACK ASSY	
6a	56511831	1	MOTOR-36V-3669RPM-0.55HP	
6b	56509374	1	HYDRAULIC PUMP/RESERVOIR ASSY	
	56509383	1	HYDRAULIC RESERVOIR KIT	
	56509375	1	CAP-HYDRAULIC RESERVOIR	
6c	56510682	1	Koppeling opening	
6d	56900101	2	Elleboog 90 gr.	
6e	56511941	1	CLIP-DEUTSH CONNECTOR	
6f	56002124	1	Schroef 10-24 X .62 PNH PH	
6g	56002202	2	SCR PAN PHIL 10-32 X .62	
7		1	Hopper Lift Cylinder Assy	
7a	56507941	2	BEARING 1.125X1.281X.750	
7b	56509377	1	CYLINDER-HYDRAULIC 2.00 X 13.0	
	56509381	1	SEAL KIT	
7c	56900101	1	Elleboog 90 gr.	
7d	56900110	1	ELBOW 90 DEG. 0/R-4-6	
8	56509382	2	HOSE ASSY	
			Service Kits	
K1	56511891	1	HARDWARE KIT-HYDRAULIC SYS	

Part Notes:

[1] - K1



Pos.	Artikelnummer	Hoeveelheid	Omschrijving	Notes
	0775-295	1	ALTERNATOR WITH PULLEY	
	56419090	1	Schakelaar motor	
	56419091	1	Temperatuur schakelaar	
	56508440	1	STARTER ASSEMBLY	

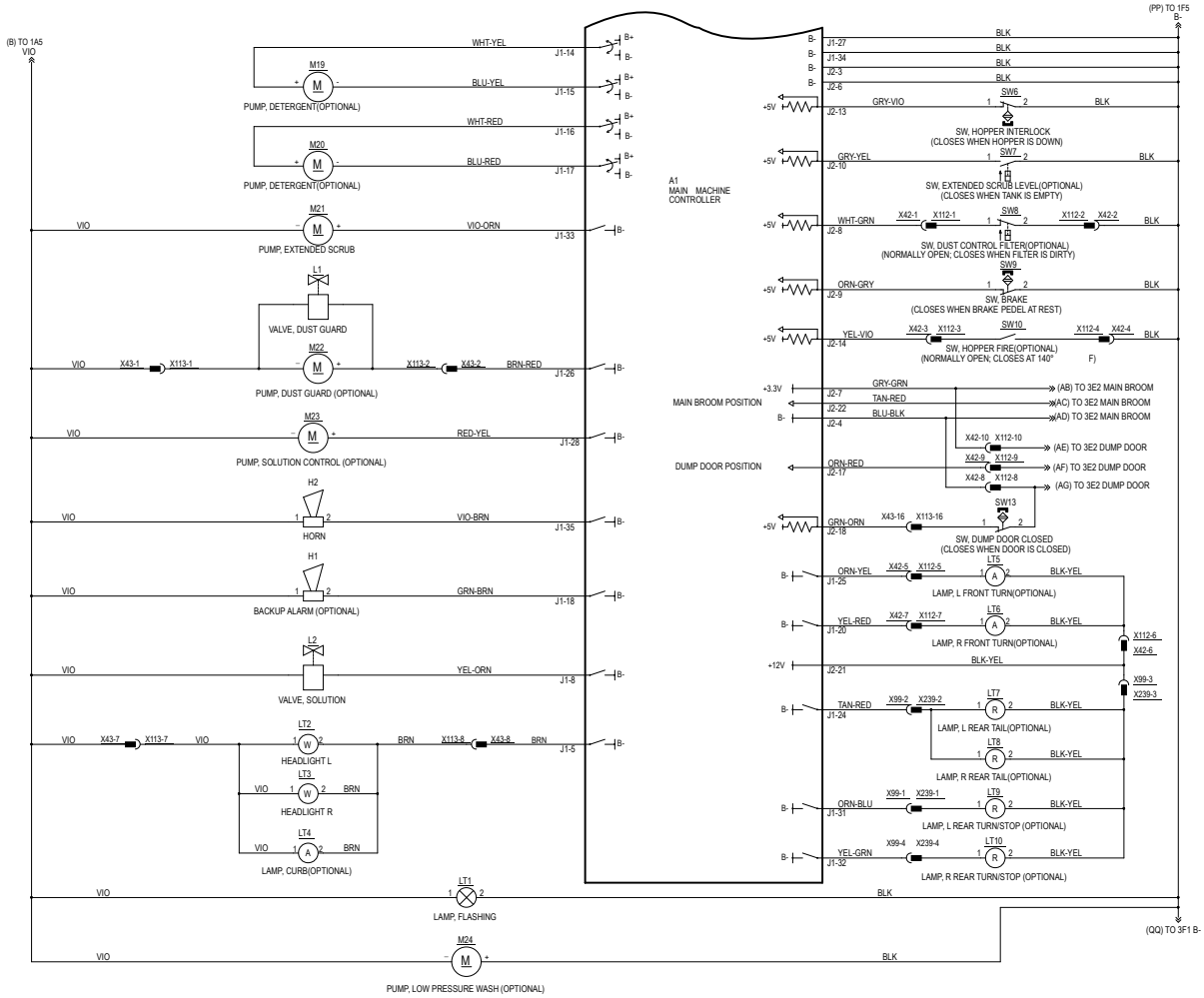


Pos.	Artikelnummer	Hoeveelheid	Omschrijving	Notes
A1	56511588	1	CONTROL BOARD ASSY	[1]
BT1		1	Battery 36V 770 Amp HR	[2]
		1	Battery 36V	[3]
BT2	56380449	1	BATTERY-12V 45AH WET	[4]
CB1	56315255	1	Zender druk	[5]
CB2	56509623	1	Zekering -25 AMP	[6]
CB3	56509623	1	Zekering -25 AMP	[7]
F1	56303297	1	Zekering 400 AMP	[8]
F2	287020	1		[9]
G1	56511663	1	ALTERNATOR-42VDC-10KW	[10]
K1	40892a	1	Relay DPDT	
M25	56511864	1	PUMP-FUEL-ELECTRONIC	[11]
R1	56511257	1	SENDER-FUEL LEVEL	[12]
SW1	56111109	1	Key switch assembly	[13]
SW2	56104247	1	DISCONNECT-EMERGENCY	[14]
SW3	7-82-00050	1	Schakelaar Stoel	
SW4	56511830	1	SENSOR-PROXIMITY	[15]
SW5	56418381	1	Schakelaar N C Druk	[16]
Y1		1	Clutch-High Pressure Pump	[17]

Part Notes:

- [1] - TSB-FC-2018-007 CS7010 Firmware Rev J Update
- [2] - These items are only used on LPG and diesel models
- [3] - Only used on battery models
- [4] - NOT FOR SALE IN EU

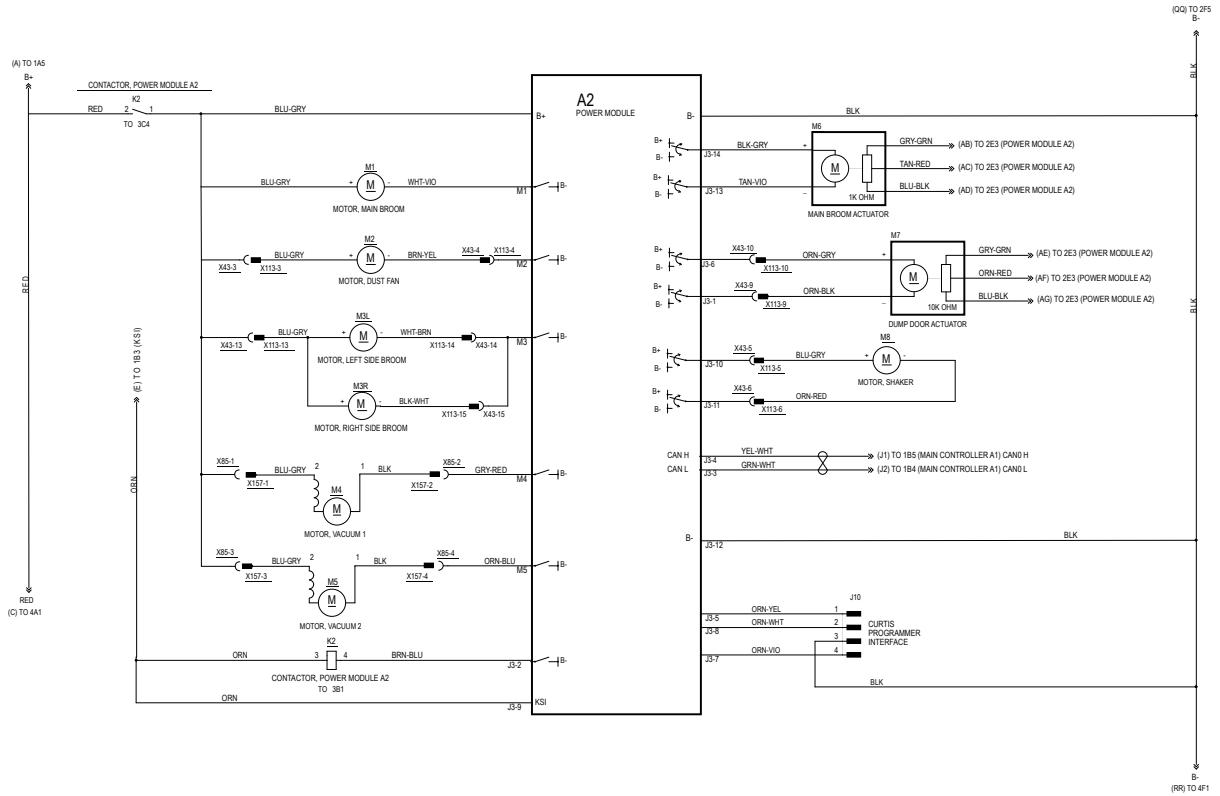
- These items are only used on LPG and diesel models
- [5] - Battery
- [6] - VACC2
- [7] - Power Outlet 12V
- [8] - Main Fuse
- [9] - 12V from Starter
- [10] - System power
- [11] - for Gasoline engine
- [12] - Gasoline and Diesel fuel level
- [13] - Ignition Switch
- [14] - Emergency Stop
- [15] - Battery Interlock
- [16] - Signals low/empty LPG tank
- [17] - part of High Pressure Pump Assy 56509812 / Optional



Pos.	Artikelnummer	Hoeveelheid	Omschrijving	Notes
A1	56511588	1	CONTROL BOARD ASSY	[1]
H1	56409232	1	Chauffeurbeveiliging	
H2	56394040	1	AVERTISSEUR SONORE 36V	
L1	56397216	1	VALVE SOLENOID 36V	[2]
L2	56384490	1	Solenoid klep -36V	[3]
LT1	56510893	1	BEACON-WARNING LED	[4]
LT2	56383032	1	LIGHT-LED	[5]
LT3	56383032	1	LIGHT-LED	[6]
LT4		1	Curb Light	[4]
LT5	56509559	1	LIGHT-TURN SIGNAL	[7]
LT6	56509559	1	LIGHT-TURN SIGNAL	[8]
LT7	56510280	1	LIGHT RED 12V 8 LED	[4]
LT8	56510280	1	LIGHT RED 12V 8 LED	[4]
LT9	56511857	1	LIGHT-RED-12V-8 LED	[9]
LT10	56511857	1	LIGHT-RED-12V-8 LED	[10]
M19	56110742	1	POMP REINIGINGSMIDDEL 12V	[11]
M20	56110742	1	POMP REINIGINGSMIDDEL 12V	[11]
M21	56511834	1	PUMP-36VDC-WATER	[12]
M22	56116767	1	PUMP-36VDC	[2]
M23	56511834	1	PUMP-36VDC-WATER	[11]
M24	56511835	1	POMPE A EAU 36VDC	[13]
SW6	56511830	1	SENSOR-PROXIMITY	[14]
SW7	56509932	1	FLOAT SWITCH ASSY	[4]
SW8	56509729	1	SENSOR FILTERKVALITEIT	[15]
SW9	56511830	1	SENSOR-PROXIMITY	[16]
SW10	56418405	1	SWITCH TEMPERATURE	[17]
SW13	56511830	1	SENSOR-PROXIMITY	[18]

Part Notes:

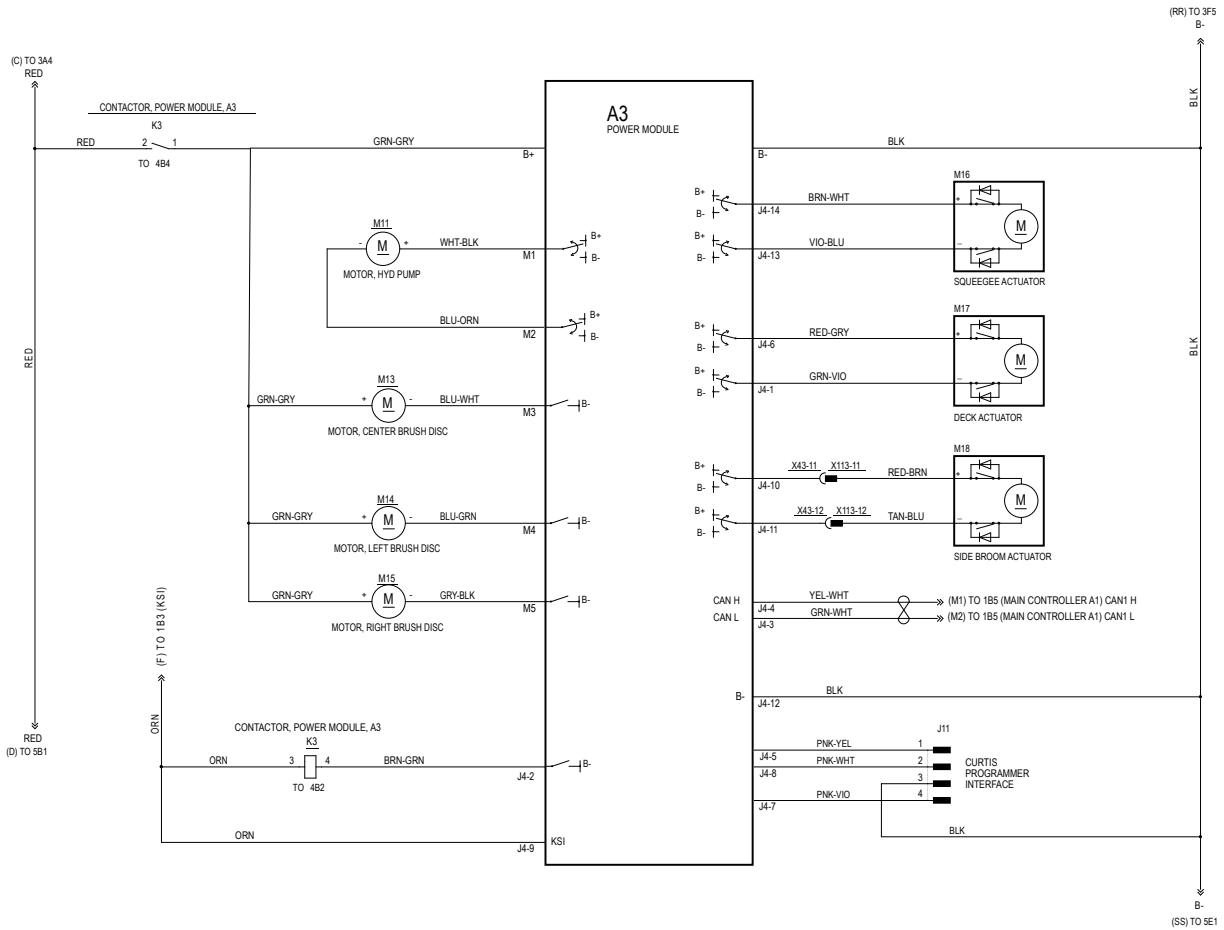
- [1] - TSB-FC-2018-007 CS7010 Firmware Rev J Update
- [2] - Dust Guard / Optional
- [3] - Solution
- [4] - Optional
- [5] - Left
- [6] - Right
- [7] - Left Front / Optional
- [8] - Right Front / Optional
- [9] - Left Rear Turn Signal / Optional
- [10] - Right Rear Turn Signal / Optional
- [11] - EcoFlex / Optional
- [12] - Extended Scrub Pump
- [13] - Spray Wand Kit / Optional
- [14] - Hopper Interlock
- [15] - Plugged Filter Kit / Optional
- [16] - Brake Switch
- [17] - Hopper Temp Sensor Kit
- [18] - (Switch, Dump Door Closed)



Pos.	Artikelnummer	Hoeveelheid	Omschrijving	Notes
A2	56511622	1	MODULE-POWER	
J10		1	Curtis Programmer Interface	
K2	56395453	1	Contactora 36 Volt	[1]
M1	56510740	1	MOTOR KIT-BROOM	
	56422152	1	KIT WHEEL DRIVE BRUSHES	[2]
M2	33015359	1	Ventilator-zuigmotor 36 volt	[3]
M3R	56384565	1	MOTOR-36VDC-115RPM-0.4HP-RIGHT	
	56384521	1	SIDEBROOM MOTOR BRUSH KIT	[4]
M3L	56384564	1	MOTOR-36VDC-115RPM-0.4HP-LEFT	
	56384521	1	SIDEBROOM MOTOR BRUSH KIT	[4]
M4	56511400	1	VAC MOTOR-42VDC-17000RPM-.75HP	[5]
M5	56511400	1	VAC MOTOR-42VDC-17000RPM-.75HP	[5]
M6	56511260	1	ACTUATOR-LIN-36V-51MM STROKE	[6]
M7	56511759	1	ACTUATOR ASSY-DUMP DOOR	[7]
M8	56511366	1	MOTOR-36VDC-FILTER SHAKER	[8]

Part Notes:

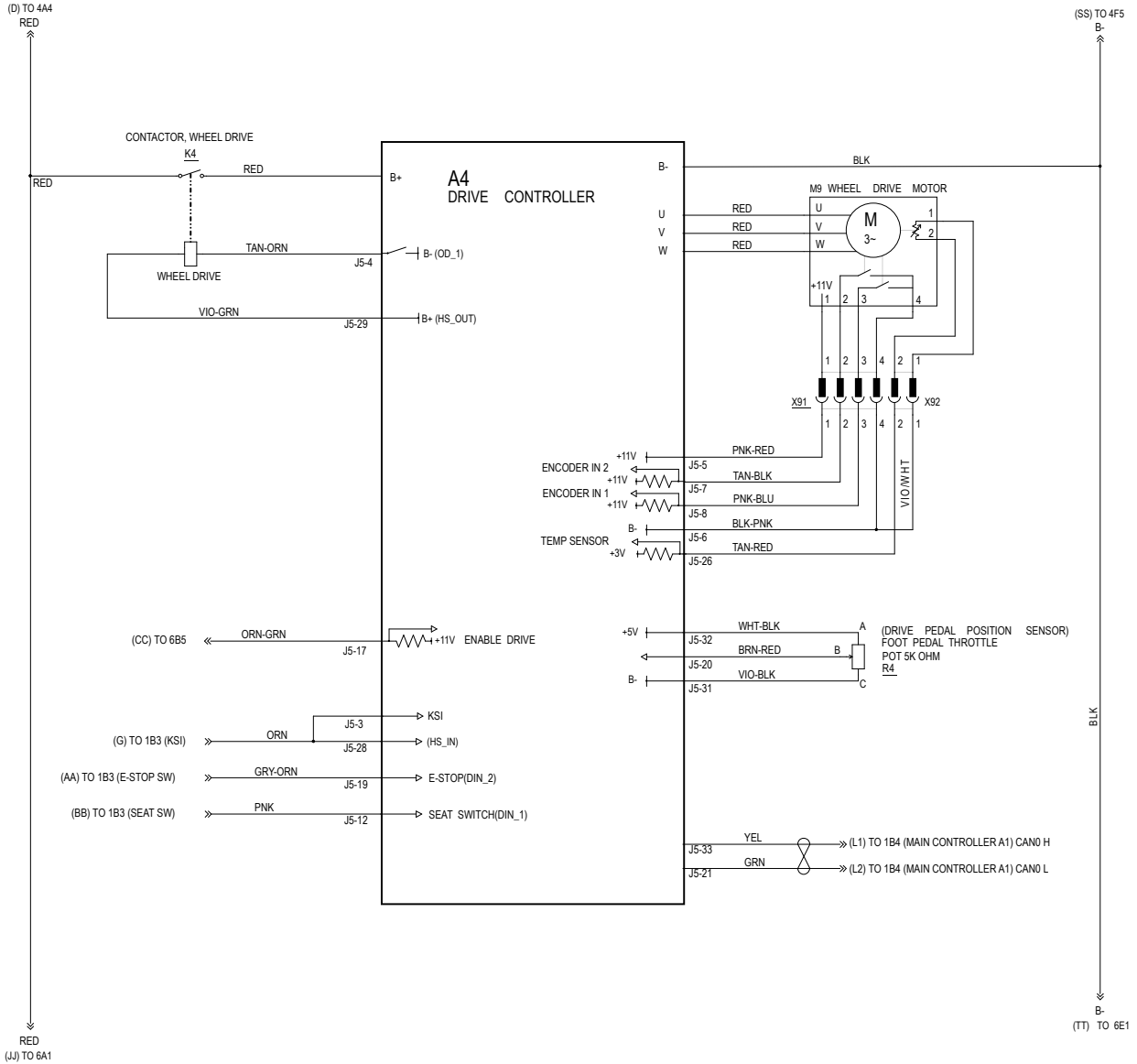
- [1] - Power Module A2
- [2] - for 56510740. Not Shown
- [3] - Dust control System
- [4] - for 56384565 56384564. Not Shown
- [5] - Solution recovery
- [6] - Main Broom Actuator
- [7] - Dump Door Actuator Motor
- [8] - Shaker Motor



Pos.	Artikelnummer	Hoeveelheid	Omschrijving	Notes
A3	56511622	1	MODULE-POWER	
J11		1	Curtis Programmer Interface	
K3	56395453	1	Contactactor 36 Volt	[1]
M11	56511831	1	MOTOR-36V-3669RPM-0.55HP	[2]
M13	56511937	1	GEARMOTOR ASSY-CENTER	[3]
	56422152	1	KIT WHEEL DRIVE BRUSHES	[4]
	56510763	1	BRUSH KIT-MOTOR	[5]
M14	56511935	1	GEARMOTOR ASSY-LEFT	[3]
	56422152	1	KIT WHEEL DRIVE BRUSHES	[6]
	56510763	1	BRUSH KIT-MOTOR	[5]
M15	56511936	1	GEARMOTOR ASSY-RIGHT	[7]
	56422152	1	KIT WHEEL DRIVE BRUSHES	[8]
	56510763	1	BRUSH KIT-MOTOR	[5]
M16	56511259	1	ACTUATOR-LIN-36V-89MM STROKE	[9]
M17	56511263	1	ACTUATOR-LIN-36V-152 MM STROKE	[10]
M18	56116781	1	ACTUATOR-SQUEEGEE	[11]

Part Notes:

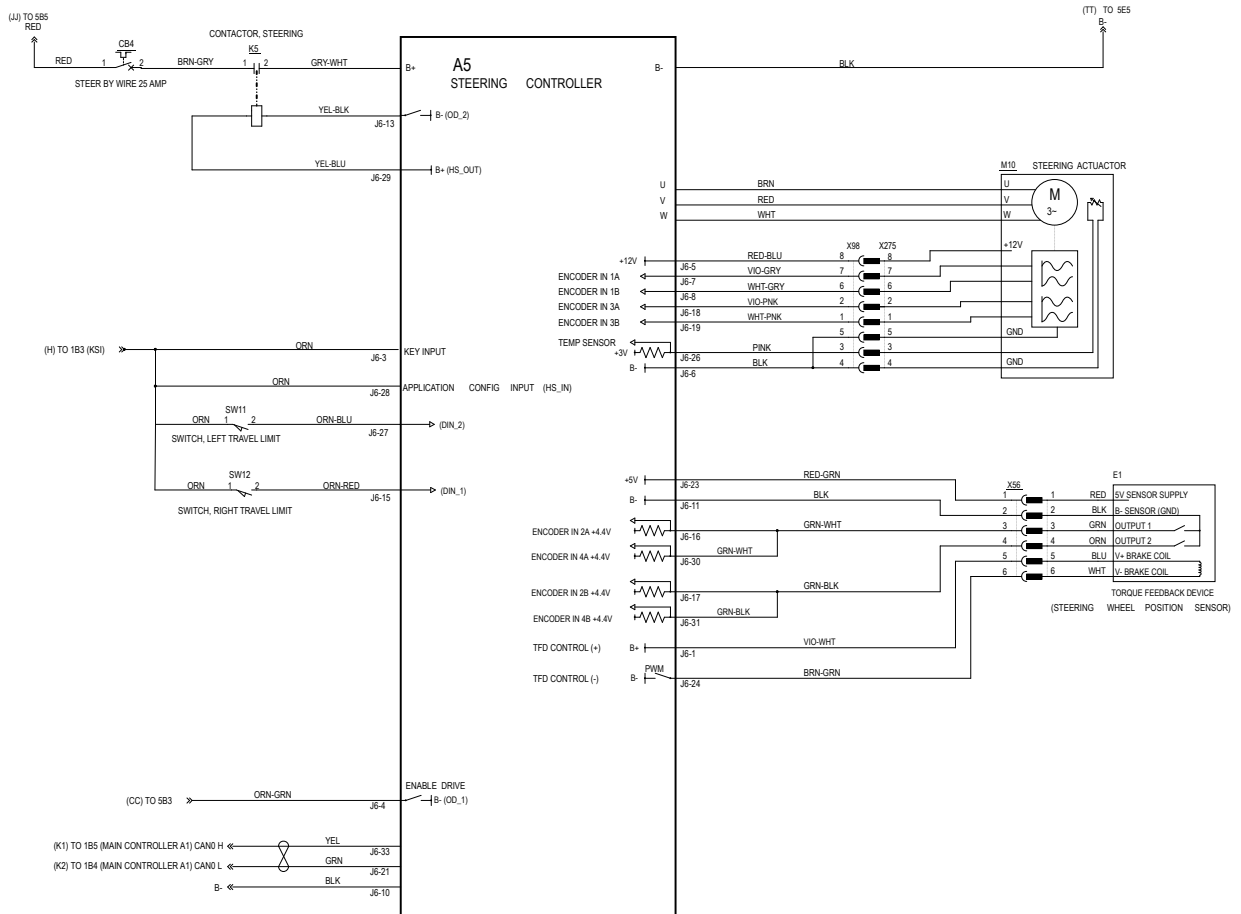
- [1] - (Power Module A3)
- [2] - (Hydraulic Pump Motor)
- [3] - M13 / M14
- [4] - (for 56511937 Amer Scrub Motor Assembly)
- [5] - Machines with Imperial Scrub Motor Assemblies require Brush Motor Kits 56510763.
See Detail 1 on SCRUBBING SYSTEM-2 to identify the style of motor that requires this Brush Kit.
- [6] - (for 56511935 Amer Scrub Motor Assembly)
- [7] - M15
- [8] - (for 56511936 Amer Scrub Motor Assembly)
- [9] - (Squeegee Actuator)
- [10] - (Scrub Deck Actuator)
- [11] - (Side Broom Actuator)



Pos.	Artikelnummer	Hoeveelheid	Omschrijving	Notes
A4	56511698	1	CONTROLLER-TRACTION DRIVE	[1]
K4	56395453	1	Contactora 36 Volt	[2]
M9	56509168	1	MOTOR-TRACTION	[3]
R4	56385084	1	FOOT PEDAL ASSEMBLY	[4]

Part Notes:

- [1] - Drive Controller
- [2] - Drive Contactor
- [3] - Motor, Wheel Drive
- [4] - Traction throttle

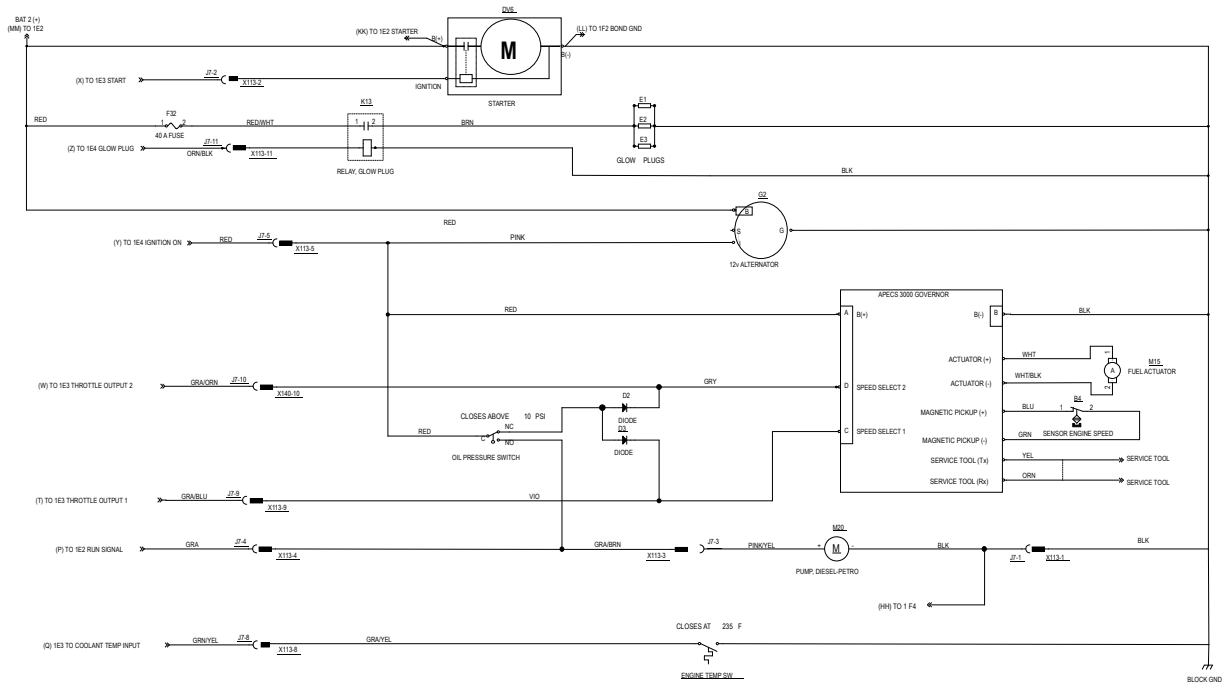


Pos.	Artikelnummer	Hoeveelheid	Omschrijving	Notes
A5	56511598	1	CONTROLLER-STEERING MOTOR	[1]
CB4	56315255	1	Zender druk	[2]
E1	56511615	1	FEEDBACK DEVICE-TORQUE	[3]
K5	40892a	1	Relay DPDT	[4]
M10	56511657	1	MOTOR-STEERING	[5]
SW11	56511830	1	SENSOR-PROXIMITY	[6]
SW12	56511830	1	SENSOR-PROXIMITY	[7]

Part Notes:

- [1] - Steering Controller
- [2] - Steering CB
- [3] - Steering Wheel Sensor
- [4] - Steering Relay
- [5] - Steer Actuator
- [6] - Switch, Left Travel Limit
- [7] - Switch, Right Travel Limit

KUBOTA DIESEL ENGINE SYSTEM

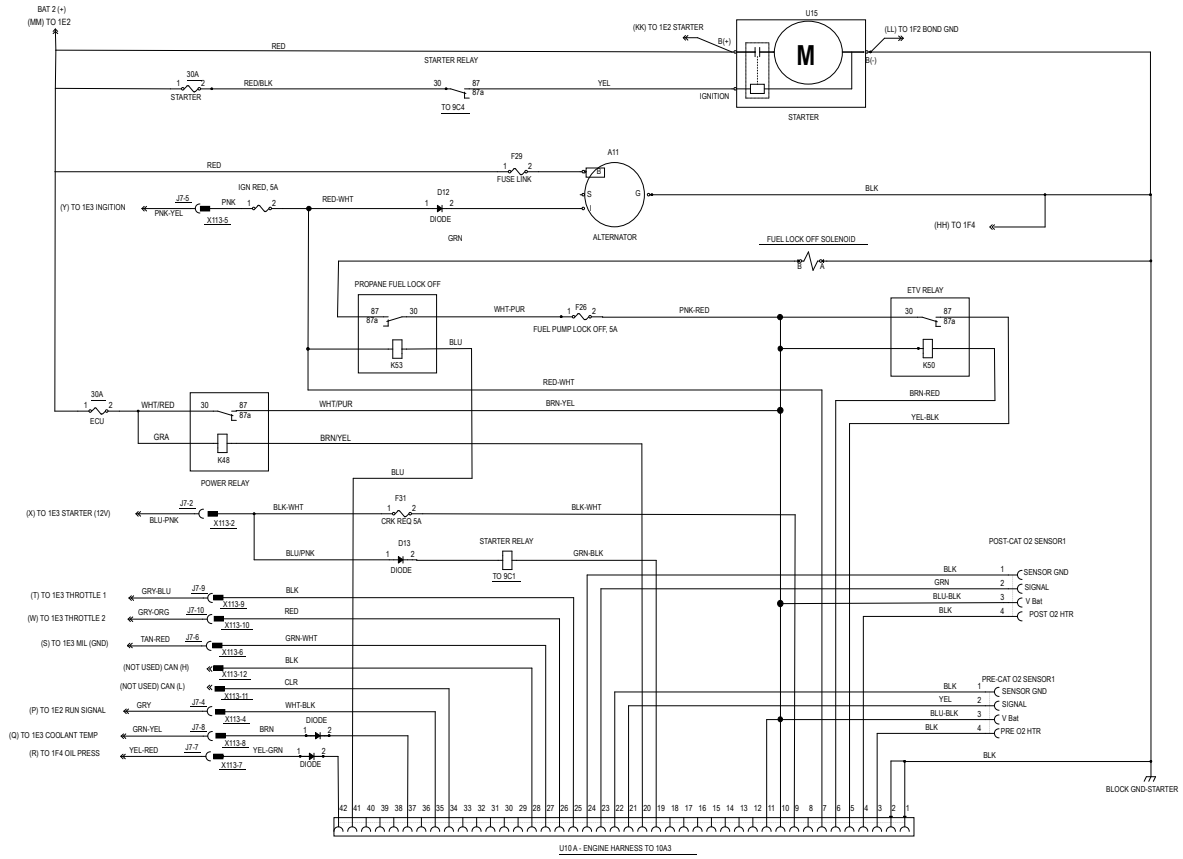


Pos.	Artikelnummer	Hoeveelheid	Omschrijving	Notes
B4		1	Magnetic Pick-Up	[1]
DV6	56419089	1	Start Motor	
E1		1	Glow Plug	
E2		1	Glow Plug	
E3		1	Glow Plug	
G2	56510385	1	ALTERNATOR-40 AMP	
K13	56110423	1	RELAY SPST 12V 75A	
	56510350	1	GOVERNOR-CONTROLLER	
M15		1	Actuator	[1]
M20	56508355	1	Elect. Brandstofpomp	[2]
S18	56419091	1	Temperatuur schakelaar	
S19	56508444	1	Druk schakelaar	

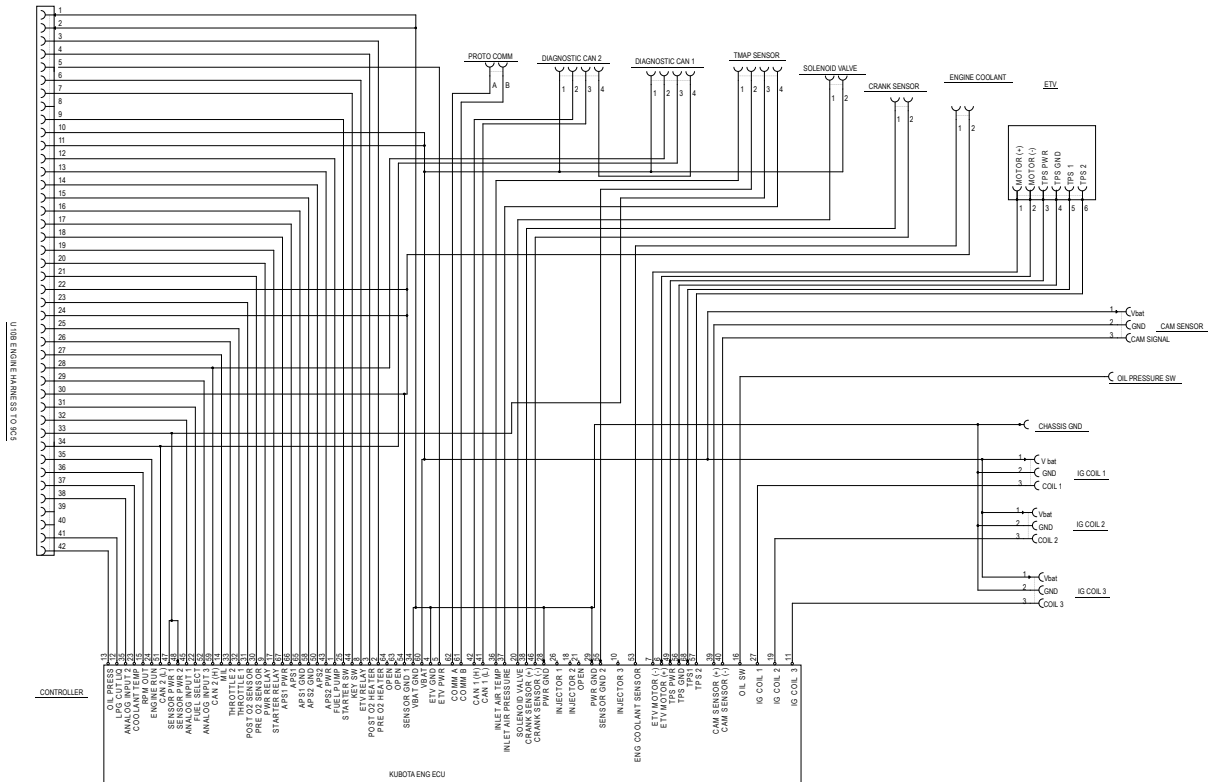
Part Notes:

- [1] - part of Apecs 3000 Governor 56510350
 [2] - Shipped with the engine.

KUBOTA LPG (LEV) ENGINE SYSTEM

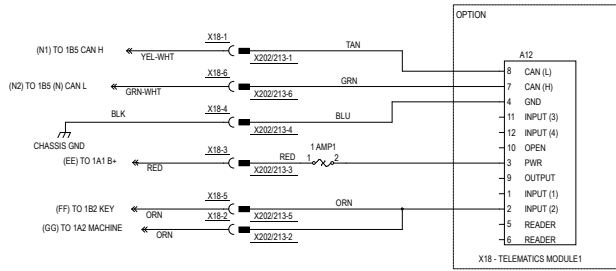


KUBOTA LEV ENGINE SYSTEM

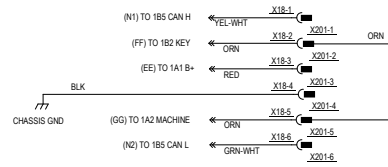


TRACKCLEAN CONNECTIONS

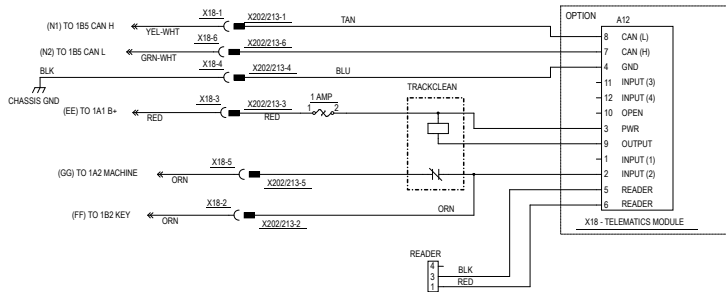
WITHOUT KEY READER

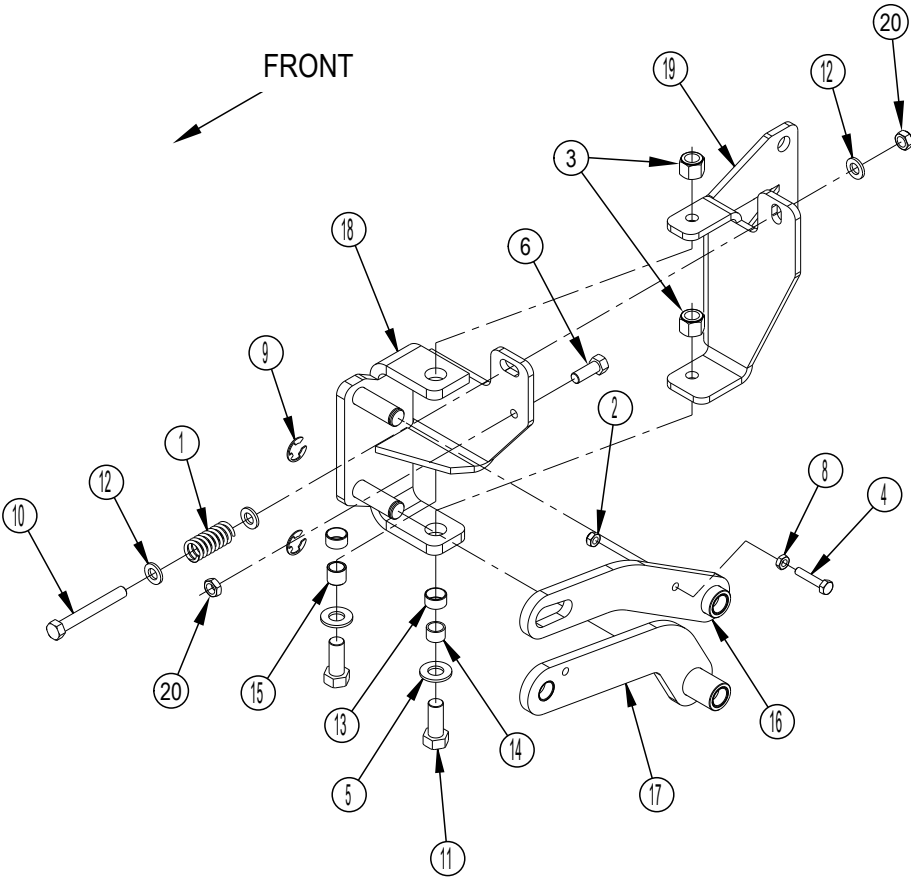


NO TRACKCLEAN



WITH KEY READER





Left Side Broom Arm Assembly

CS7010 1200B NIL

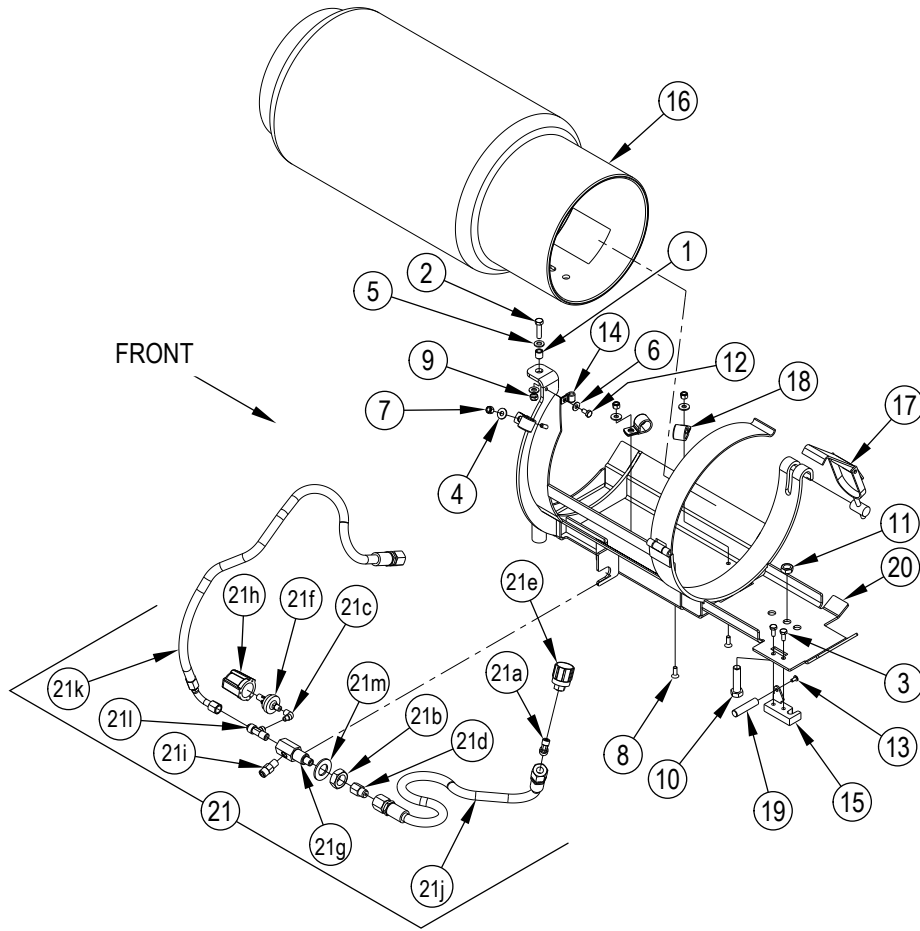
2017.11.02

2017.04.25

Pos.	Artikelnummer	Hoeveelheid	Omschrijving	Notes
	56511196	1	LT SB ARM ASSY	
1	56171123	1	Veer	
2		1	Nut, Hex Nyl Loc-Thin SS 1/4-20	[1]
3		2	Nut Hex Nyl Loc SS 1/2-13	
4		1	Scr- Hex SS 1/4-20 X 1.25	[1]
5		2	Wsh-Flt SAE SS 1/2	
6		1	Scr Hex 3/8-16 X 1.00	
7			Intentionally Omitted	
8		1	Nut-Hex Jam SS 1/4-20	[1]
9		2	Ring, Ret Ext Type E 0.62 Dia	[1]
10		1	Scr- Hex SS 3/8-16 X 3.00	
11		2	Scr Hex S.S. 1/2-13 X 1.5	
12		3	Wsh-Flt .406x.750x.090	
13		2	Bearing, .719 X .625 X .375	
14		1	Bushing	
15		1	Bushing	
16		1	Upr Lt Arm Assy	[1]
17		1	Lwr Lt Arm Assy	[1]
18		1	Left Hinge Weldt	
19		1	Left Hinge Weldt	
20		2	Nut, Hex Nyl Loc-Thin SS 3/8-16	
			Service Kits	
K1	56382855	1	ARM ASSY KIT-LT	

Part Notes:

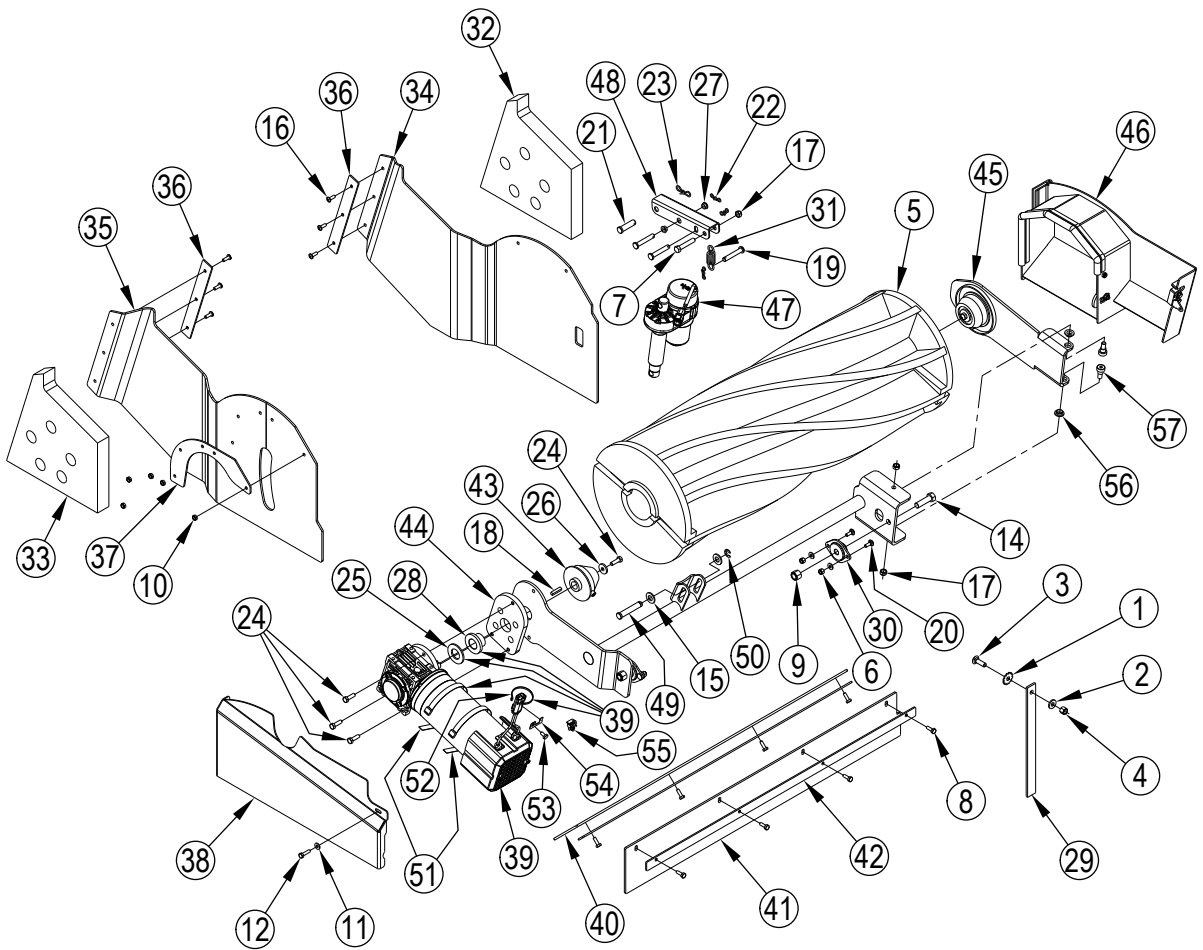
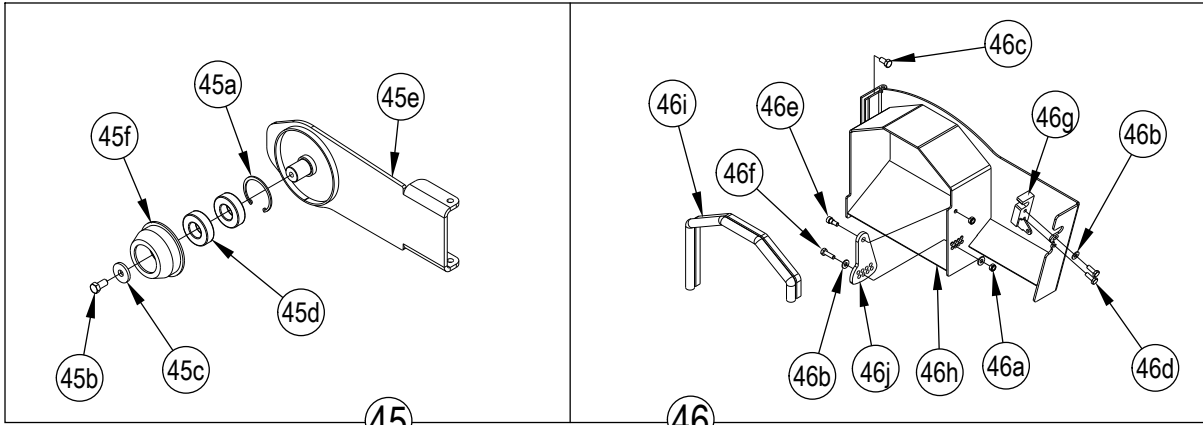
[1] - K1



Pos.	Artikelnummer	Hoeveelheid	Omschrijving	Notes
1		1	Bushing	[1]
2		1	Scr, Hex 5/16-18 X 1.25	[1]
3		2	Scr, Hex 1/4-20 X .62	[1]
4		3	Wsh, Fit Std 1/4	[1]
5		2	Wsh, Fit SAE 5/16	[1]
6		1	Wsh, Fit SAE 1/4	[1]
7		3	Nut, Hex Nyl Loc 1/4-20	[1]
8		2	Scr, Fit Phil 1/4-20 X .75	[1]
9		1	Nut, Hex Nyl Loc-Thin 5/16-18	[1]
10		1	Scr, Hex Thd To Hd 1/2-13 X 2.00	[1]
11		1	Nut, Hex Jam 1/2-13	[1]
12		1	Scr, Hex Thd Form 1/4-20 X .50	[1]
13		1	Scr, Pan Phil Loc 10-24 X .38	[2]
14	56323260	1	Klem Kabel	
15		1	Latch, Rh	[3]
16	56456590	1	L.P. TANK	[4]
17	56481997	1	CLAMP	
18	56496276	3	CLAMP HOSE SUPPORT	
19		1	Pin	[3]
20	56509746	1	FUEL TANK MT WELDT-P	
21	56510095	1	LP FUEL LINE ASSEMBLY	
21a	56456598	1	ELBOW MALE 45 DEG E00238	
21b	56002615	1	Moer HEX JAM 7/8-14	
21c	56111309	1	ELBOW ST 1/8X90 BR E00031	
21d	56305505	1	Adapator SAE 45 DEGREE	
21e	56369675	1	Koppeling vtl.	
21f	56418381	1	Schakelaar N C Druk	[5]
21g	56418934	1	Koppeling	
21h	56419241	1	DUST BOOT	
21i	56456624	1	VENT 1/4 NPT	
21j	56510298	1	LPG HOSE ASSY	[4]
21k	56384953	1	LPG HOSE ASSY	
21l	56900921	1	TEE	
21m	56002228	1	Ring plat	
			Service Kits	
K1	56510798	1	LATCH KIT-LP TANK ASSY	
K2	56510799	1	HARDWARE KIT-LP TANK ASSY	

Part Notes:

- [1] - K2
- [2] - K1,K2
- [3] - K1
- [4] - TSB-FC-2020-013 CS7000 LPG Hose Routing
DE TSB-FC-2020-013 CS7000 CS7010 LPG Gasschlauch-Verlegung
- [5] - SW5



Pos.	Artikelnummer	Hoeveelheid	Omschrijving	Notes
1		1	Lock Washer, 3/8 Int./Ext. Tooth	[1]
2		1	Flat Washer, 1.00 X .39 X .06	[1]
3	2-00-05187	1	BOLT CARR.38-16 X 1.25 GR 5 ZN	
4		1	Nut Hex Nyl Loc 3/8-16	[1]
5	33018858	1	Hoofdborstel Spiraal PPL 0.5	
6		4	Nut-Hex Nyl Loc Ss 1/4-20	[2]
7		1	Scr- Hex Ss 3/8-16 X 2.00	[3]
8		8	Scr- Hex Ss 1/4-20 X .75	[4]
9		2	Nut-Hex Nyl Loc Ss 1/2-13	[2]
10		5	Nut, Hex Nyl Loc-Thin Ss 1/4-20	[1]
11		5	Wsh-Flt Sae Ss 1/4	[2]
12		1	Scr- Hex Ss 1/4-20 X 1.00	[1]
14		2	Scr- Hex Ss 1/2-13 X 1.75	[2]
15		2	Wsh-Flt Sae Ss 1/2	[2]
16		6	Scr-Pan Phil Ss 1/4-20 X .75	[5]
17		3	Nut Hex Nyl Loc-Thin Ss 3/8-16	[6]
18		1	Key, Sq .25 X 1.19	[2]
19		3	Pin-Clevis .375 X 2.25	[3]
20		4	Scr-Carriage Ss 1/4-20 X .75	[2]
21		1	Pin-Clevis .50 X 1.75	[3]
22		3	Pin-Bow-Tie Cot 1/4-3/8x.072	[3]
23		1	Pin-Bow-Tie Cot 7/16-1/2x.091	[3]
24		4	Scr-Hex Loc Ss 5/16-18 X 1.00	[7]
25	56004012	1	WSH-FLT 18-8 SS-1.062X2X.13	[8]
26		1	Wsh, Flt Harden .344x1.000x.120/.135	[2]
27		2	Bearing, Flange	[9]
28	56384760	1	GUARD-STRING	[10]
29	56416517	1	Strap Static	
30		2	Bearing	[11]
31		1	Spring-Extension	[9]
32		1	Foam-Right Skirt	[12]
33		1	Foam-Left Skirt	[12]
34		1	Skirt-Right	[12]
35		1	Skirt-Left	[12]
36		2	Strap-Skirt	[12]
37	56509520	1	STRAP-LEFT SKIRT	
38	56509525	1	PANEL WELDMENT	
39		1	Broom Motor Assembly M1	[13]
		1	Brush Kit-Motor	[14]
40		1	Flap-Broom Recirc	[15]
41		1	Skirt-Broom Rear	[15]
42		2	Strap-Broom Rear	[15]
43		1	Broom Drive Hub Assembly	[11]
44		1	Broom Support Weldment	[11]
45	56394114	1	BROOM ARM ASSEMBLY	
45a	56003314	1	Ring	
45b	56003338	1	VIJS	
45c	56009195	1	WSH FLT .406X 1.250X .164	
45d	56479430	2	Kogellager 6205ZZ	
45e	56394113	1	BROOM ARM WELDMENT	
45f	56509726	1	HUB Hoofdborstel CS 7000	
46	56511187	1	BROOM DOOR ASSEMBLY	
46a	56002850	2	NUT HEX NYL LOC-THIN SS 1/4-20	
46b	56002859	3	Ring	
46c	56002937	3	SCR HEX HD LOC SS 5/16-18X .62	
46d	56003221	2	Schroef HEX LOC SS 1/4 20 X .75	
46e	56003717	1	Vijs SOC SHD .31X.25X1/4 20	
46f	56003844	1	SCR-HEX SS 1/4-20 X .88	

Pos.	Artikelnummer	Hoeveelheid	Omschrijving	Notes
46g	56413802	1	Latch	
46h	56511116	1	BROOM DOOR WELDMENT	
46i	56509612	1	SEAL-BROOM DOOR	
46j	56509754	1	Arm stop	
47		1	Actuator-Lin-36v-51mm Stroke	[9]
48		1	Bracket-Spring	[9]
49		1	Pin-Clevis-Grooved-Ss .5x2.75	[11]
50		1	Retaining Ring-E Style-Ss .5	[11]
51	56477616	2	CABLE TIE 20 INCH E00549	[16]
52	56478246	1	Kabel bEn	[16]
53		1	Scr Hex Thd Form 1/4-20x.50	[16]
54		1	Clip-Mount-Tie Down	[16]
55	56386407	1	CLIP E00360	
56	56413211	2	Spacer Nylon	
57		2	Scr Soc Hd Shd .50x.38x3/8-16	
			Main Brooms	
	56394458	1	MAIN BROOM-SPIRAL	
	33018856	1	Hoofdborstel Spiraal Nylon 1.2	[17]
	33018857	1	Hoofdborstel Spiraal PPL 0.5	[17]
			Service Kits	
K1	56510739	1	STRAP KIT-BROOM REAR	
K2	56510740	1	MOTOR KIT-BROOM	
K3	56422152	1	KIT WHEEL DRIVE BRUSHES	
K4	56510741	1	Skirt Kit-Broom	[18]
K5	56511898	1	ACTUATOR KIT-MAIN BROOM	
K6	56510804	1	SUPPORT KIT-MAIN BROOM	
K7	56511882	1	HARDWARE KIT-MAIN BROOM SYS	
K8	56384904	1	STRING GUARD KIT	
K9	56384531	1	MOTOR ONLY KIT-MAIN BROOM	
K10	56385366	1	MOTOR BRUSH KIT	

Part Notes:

- [1] - K7
- [2] - K6,K7
- [3] - K5,K7
- [4] - K1,K7
- [5] - K4,K7
- [6] - K5,K6,K7
- [7] - K2,K6,K7
- [8] - K2,K7,K8
- [9] - K5
- [10] - K2,K8
- [11] - K6
- [12] - K4
- [13] - K2,K9, K10
- [14] - K3
- [15] - K1
- [16] - K2,K9
- [17] - Optional, Not Included
- [18] - for Broom Motor Assy

**No
Diagram
Available**

**Parts List
Only**

Pos.	Artikelnummer	Hoeveelheid	Omschrijving	Notes
			Optional Kits	[1]
	56394237	1	SEAT KIT-DELUXE	[2]
	56509988	1	STOEL DELUXE	[3]
	56511845	1	EXTENDED SCRUB KIT	[4]
	56509975	1	CHAUFFEURSBESCHERMING (LAAG)	[5]
	56510399	1	CHAUFFEURSBESCHERMING (STD)	[4]
	56383455	1	Gordel kit voor standaard zetel	[4]
	56511858	1	BRAKE LIGHT W/TURN SIGNAL-KIT	[4]
	56394124	1	REAR ROLLER KIT-LEFT AND RIGHT	[4]
	56509914	1	HOEKBUMPER KIT, VOOR	[4]
	56510326	1	HOEKBUMPER ROLLERS,LUXE STOEL, BUMPER MI	[6]
	56510605	1	Brandblusapparaat kit	[4]
	56511843	1	BACK-UP ALARM KIT	[4]
	56509994	1	VLOERMATTEN	[4]
	56511855	1	ECOFLEX KIT-ADVANCE	[4]
	56509811	1	HOGEDRUK POMP DIESEL	[4]
	56509810	1	HOGEDRUK POMP LPG	[4]
	56509729	1	SENSOR FILTERKWALITEIT	[4]
	56509728	1	VUILCONTAINER TEMP. SENSOR	[4]
	56383045	1	LIGHT KIT	[4]
	56511852	1	OHG BEACON KIT	[4]
	56510444	1	DAKPLAAT OHG	[7]
	56511851	1	WARNING BEACON KIT	[4]
	56510424	1	AFSLAG BIJ VULLEN SCHOONWATERTANK	[4]
	56510443	1	MOBIELE ZUIGSET	[4]
	56511839	1	WASH HOSE KIT	[4]
	56510015	1	WARMWATER UNIT LPG	[4]
	56510464	1	WARMWATER UNIT DIESEL	[4]
	56383189	1	ARM REST KIT-R/H ONLY	[8]
	56511741	1	SQUEEGEE GUARD KIT	[4]
	56510450	1	BUMPER KIT VOORZIJD	[4]
	56601410	1	VERLENGDE AFVOERSLANG 11.5FT 3.5M	[4]
	56111280	1	Reinigingskit vuilw. Tank	[4]
	56510465	1	12 VOLTS AANSLUITING	[4]
	56511841	1	DUST GUARD KIT	[4]
	56394268	1		
	56125001	1	LITHIUM ION BASE KIT-CS7010	
	56125002	1	LI ION MODULE KIT-2X-CS7010	
	56125003	1	LITHIUM ION EXP KIT-CS7010	
	56125163	1	DUAL CHARGER KIT-CS7010	
			Squeegee Blade Kits	
	56510371	1	ZUIGMOND RUBBERS ROOD	[9]
	56510372	1	ZUIGMOND RUBBERS RUBBER	[10]
	56510373	1	ZUIGMOND RUBBERS PU	[10]
			Deck Blade Kits	
	56510374	1	RUBBERS SCHROBDECK ROOD	[11]
	56510375	1	RUBBERS SCHROBDECK RUBBER	[12]
	56510376	1	RUBBERS SCHROBDECK PU	[12]
			Options	
	56394704	1	WHEEL-DRIVE-310X140-7 LUG-TD	
	56383293	1	WHEEL-DRIVE 310X140	[13]
			Accessories	
	56044726	1	LITERATURE PACK	
			Scrub Brushes	
	56505780	3	Padhouder 17 inch	[4]
	56505195	3	Sluitplaat padhouder	[4]
	56505785	3	Borstel 17 inch prolite	[4]
	56505784	3	Borstel 17 inch prolene	[4]

Pos.	Artikelnummer	Hoeveelheid	Omschrijving	Notes
	56505786	3	Borstel 17 inch union mix	[4]
	56505783	3	Borstel 17 inch aglite 500 D430	[4]
	56505787	3	Borstel 17 inch midgrit	[4]
	56505788	3	BORSTEL 17 INCH MIDLITE	[4]
	56505782	3	Borstel 17 inch Dynagrit	[4]
	56505781	3	BORSTEL 17 INCH MAGNAGRIT	
			Main Brooms	
	56394458	1	MAIN BROOM-SPIRAL	
	33018856	1	Hoofdborstel Spiraal Nylon 1.2	[4]
	33018857	1	Hoofdborstel Spiraal PPL 0.5	[4]
			Side Brooms	
	56510707	1	ZIJBORSTEL POLY	

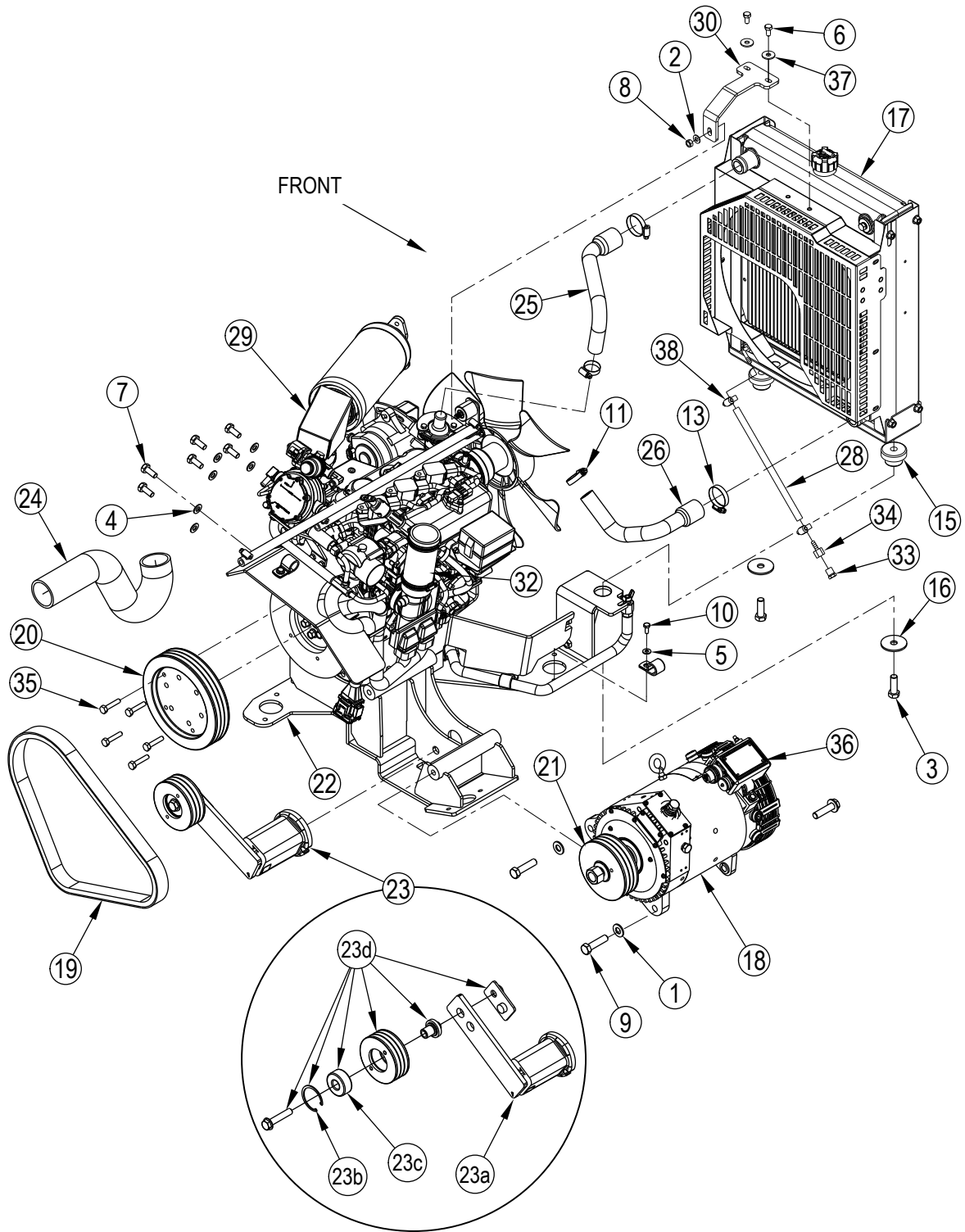
Part Notes:

- [1] - Replacement parts for the kits listed above can be found on each kit's associated instruction sheet
- [2] - CS7010 with solution tank 56394200 or rather S/N 1000071239 and beyond , then order 56394237
- [3] - CS7010 with solution tank 56511578 or rather before S/N 1000071239, then order 56509988
- [4] - Optional, Not Included
- [5] - Use with Solution Tank 56394200.
- [6] - COMPLEXITY REDUCTION

Optional, Not Included
- [7] - EXPIRED ON 04/08/2022

Optional, Not Included
- [8] - R/H Only. Optional, Not Included
- [9] - All squeegee blade kits include both front and rear squeegee blades
- [10] - All squeegee blade kits include both front and rear squeegee blades. Optional, Not Included
- [11] - All Deck Blade Kits include all blades for both skirt assemblies
- [12] - All Deck Blade Kits include all blades for both skirt assemblies. Optional, Not Included
- [13] - TSB-FC-2023-001 CS7010 gearbox

This drive wheel can be used in place of the standard drive whell 56509157 for increased traction



Pos.	Artikelnummer	Hoeveelheid	Omschrijving	Notes
1	56001879	3	Ringetje	
2	56001939	1	Ring	
3	56001968	2	Bout mondstuk BA 800	
4	56002063	12	Vulring	
5	56002098	3	Ring 1/4	
6	56002922	2	Schroef Hex Loc 1/4 20x.62	
7	56003019	12	SCR HEX M10-1.25 X 25 MM	
8	56003352	1	NUT HEX M8	
9	56003740	3	SCR HEX THD TO HD 1/2-13X2.00	
10	56009250	3	VIJS	
11	56244969	2	Slang klem SAE	
13	56413839	2	CLAMP HOSE WORM DRIVE	
15	56478685	2	Motor Rubbers	
16	56507448	2	WASHER ISOLATOR TAIL	
17	56511908	1	RADIATOR-LPG-GAS	[1]
18	56511663	1	ALTERNATOR-42VDC-10KW	[2]
	56511632	1	SHEAVE-3VX5.00X.875	[3]
19	56509442	1	BELT-3VX X 45.0	
20	56509443	1	SHEAVE-3V X 8.00	
21	56511632	1	SHEAVE-3VX5.00X.875	
22	56509570	1	ENG/ALT MNT WELDT	[4]
23		1	Tensioner Assy	
23a	56509923	1	TENSIONER-AUTOMATIC	[5]
23b	56003314	1	Ring	[5]
23c	56509716	1	BEARING-5304-2RS	[5]
23d	56510854	1	IDLER PULLEY KIT	[5]
24	56510090	1	HOSE-AIR CLEANER	
25	56510128	1	HOSE-RADIATOR	
26	56510129	1	HOSE-RADIATOR	
28	56510958	1	HOSE-COOLANT	
29		1	Engine Assembly-Lpg Lev	
30	56511910	1	BRACKET-RADIATOR-LPG	
32	56511520	1	HOSE ASSEMBLY-INTAKE	
33	56740136	1	PLUG BRASS E00040	
34	56756360	1	HOSE BARB 1/4 BARB X 1/4-18 F	
35	2-00-06532	5	SCREW-M8 X 1.25 40MM LONG	
36	56383568	1	VOLTAGE REGULATOR KIT-42V	
37	56003638	2	WSH FLT SS M6	
38	56756364	2	Slangklem	

Part Notes:

- [1] - TSB-FC-2017-046
56511916,56511917,56511918 - Radiator kit
IS56090333 - RADIATOR KIT_56511916,56511917,56511918

Please order Radiator LPG Kit 56511916 if you are replacing the Radiator 56509210 which has been obsoleted and replaced by Kit 56511916.
- [2] - G1
- [3] - for 56511663 in LPG. Not Shown
- [4] - OPENED BY MISTAKE
- [5] - for Tensioner Assy

**No
Diagram
Available**

**Parts List
Only**

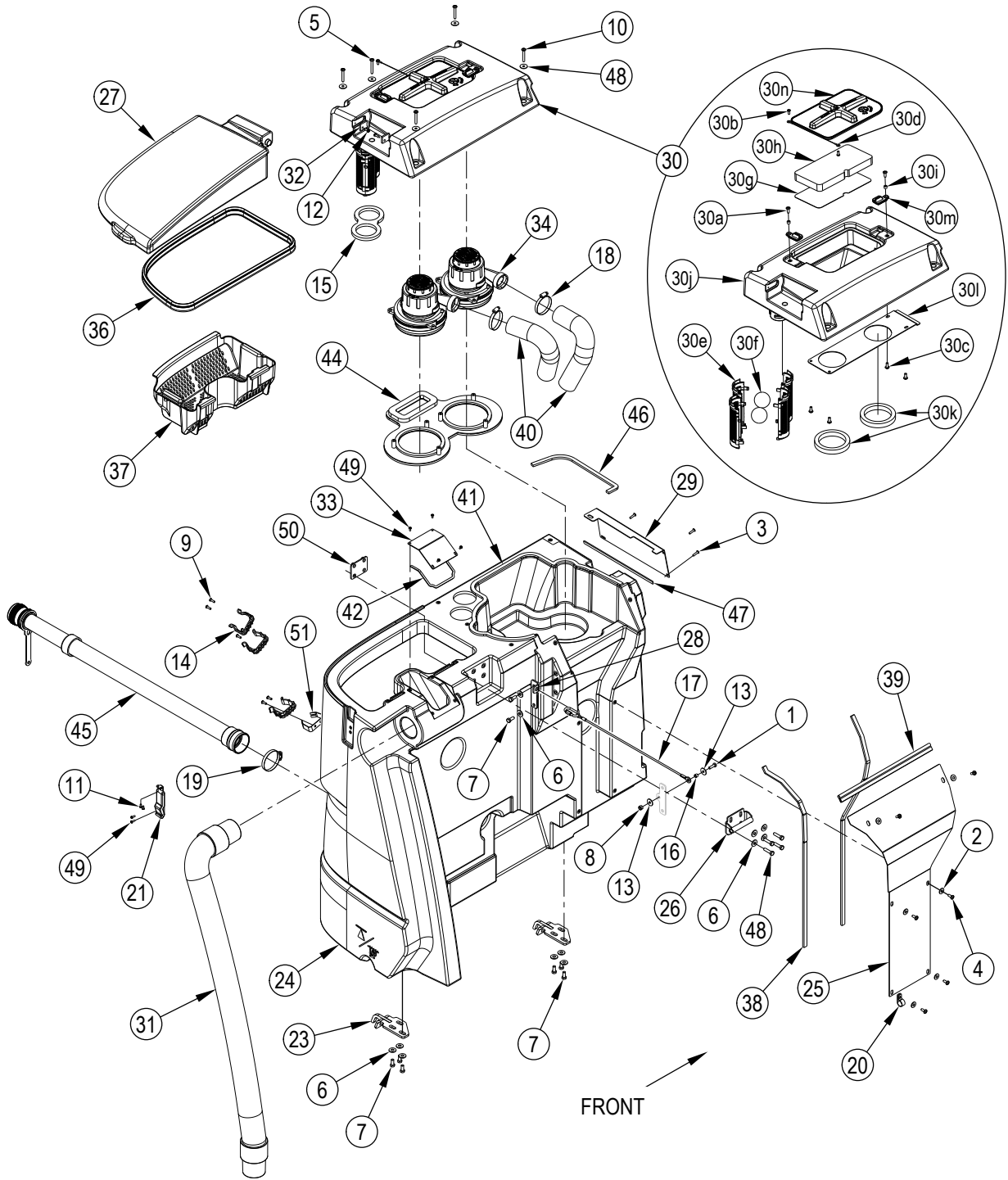
Pos.	Artikelnummer	Hoeveelheid	Omschrijving	Notes
			Wear Parts	
			Brushes	
	56505780		Padhouder 17 inch	
	56505195		Sluitplaat padhouder	[1]
	56505785		Borstel 17 inch prolite	
	56505784		Borstel 17 inch prolene	
	56505786		Borstel 17 inch union mix	
	56505783		Borstel 17 inch aglite 500 D430	
	56505787		Borstel 17 inch midgrit	
	56505788		BORSTEL 17 INCH MIDLITE	
	56505782		Borstel 17 inch Dynagrit	
	56505781		BORSTEL 17 INCH MAGNAGRIT	
			Brooms	
	56394458		MAIN BROOM-SPIRAL	
	33018856		Hoofdborstel Spiraal Nylon 1.2	
	33018857		Hoofdborstel Spiraal PPL 0.5	
			Side Brooms	
	56510707		ZIJBORSTEL POLY	
			Deck Blades & Hardware	
			Left Skirt	
	56510374		RUBBERS SCHROBDECK ROOD	
	56510375		RUBBERS SCHROBDECK RUBBER	
	56510376		RUBBERS SCHROBDECK PU	
	56510810		Zuigmond houder	
	56510883		Linkse stripsbevestiging	
	56510882		Rechtse stripsbevestiging	
			Right Skirt	
	56510374		RUBBERS SCHROBDECK ROOD	
	56510375		RUBBERS SCHROBDECK RUBBER	
	56510376		RUBBERS SCHROBDECK PU	
	56510810		Zuigmond houder	
	56510811		STRAP KIT-SIDE SQGEE	
	56510812		HARDWARE KIT-SIDE SQGEE RT	
	56510813		GUARD KIT-UHMW	
	56511213		GUARD-EDGE SCRUB	
			Filters	
	56510354		STANDAARD FILTER	
	56511572		FILTER-OIL-WG972 EFI ENGINE	
	56510095		LP FUEL LINE ASSEMBLY	
	56419086		Brandstoffilter cartridge	
	56482659		Oliefilter SR 1800	
	56413194		Screen Filter	
	56413195		Filter	
	56510581		FILTER KIT-SOLUTION	
	56407162		Filter BR 850	
	56482028		Luchtfilter	
	56482029		Primair filter	
			Hopper System	
	56509146		ONDERSTE DEUR PAKKING	
	56511192		DUMP DOOR ASSY	
	56509399		SEAL-HOPPER	
			Recovery System	
	56510232		GASKET-RECOVERY COVER	
	56509985		Slang zuigmond	
	56383261		Vuilwaterafvoerslang CS7000	
	56510583		FLOAT BALL CAGE KIT	
	56510678		GASKET-TANK	
			Wheel System	

Pos.	Artikelnummer	Hoeveelheid	Omschrijving	Notes
	56509157		Aandrijf wiel 310X140 CS 7000	
	56383402		WIEL-VORM-ON 16.2X4	
			Extra Ordinary Maintenance	
			Actuators	
	56511263		ACTUATOR-LIN-36V-152 MM STROKE	
	56511259		ACTUATOR-LIN-36V-89MM STROKE	
	56116781		ACTUATOR-SQUEEGEE	
	56511260		ACTUATOR-LIN-36V-51MM STROKE	
	56511758		ACTUATOR-36V	
	56511657		MOTOR-STEERING	
			Relays	
	40892a		Relay DPDT	[2]
	40892a		Relay DPDT	[3]
			Fuses	
	56303297		Zekering 400 AMP	
	N/A		Battery	
			Sensors - Switches	
	N/A		Battery	[4]
	N/A		Battery	[5]
	N/A		Battery	[6]
	56511830		SENSOR-PROXIMITY	[7]
	56509932		FLOAT SWITCH ASSY	[8]
	56511830		SENSOR-PROXIMITY	[9]
	56509729		SENSOR FILTERKVALITEIT	[10]
	56511830		SENSOR-PROXIMITY	[11]
	56418405		SWITCH TEMPERATURE	[12]
			Motors & Carbon Brushes	
	56511367		SHAKER MOTOR KIT	
	56508440		STARTER ASSEMBLY	
	56419089		Start Motor	
	56511831		MOTOR-36V-3669RPM-0.55HP	[13]
	56511400		VAC MOTOR-42VDC-17000RPM-.75HP	
	56116107		CARBON BRUSHES	
	56384565		MOTOR-36VDC-115RPM-0.4HP-RIGHT	[14]
	56384564		MOTOR-36VDC-115RPM-0.4HP-LEFT	[14]
	56384521		SIDEBROOM MOTOR BRUSH KIT	[15]
	56510737		MOTOR KIT-DRIVE	
	56511366		MOTOR-36VDC-FILTER SHAKER	
	56511937	1	GEARMOTOR ASSY-CENTER	
	56511935	2	GEARMOTOR ASSY-LEFT	
	56511936	1	GEARMOTOR ASSY-RIGHT	
	56422152	1	KIT WHEEL DRIVE BRUSHES	[16]
	56511921		MOTOR-IMPELLER-36V	
	56509168		MOTOR-TRACTION	
	56510740		MOTOR KIT-BROOM	
	56422152		KIT WHEEL DRIVE BRUSHES	[17]
			Pumps	
	56511864		PUMP-FUEL-ELECTRONIC	[18]
	56511834		PUMP-36VDC-WATER	
	56510888		Chemiepomp	
	56511549		PUMP-WATER-WG972 ENGINE	
	56509374		HYDRAULIC PUMP/RESERVOIR ASSY	
	56110742		POMP REINIGINGSMIDDEL 12V	[19]
			Printed Circuit Boards	
	56511698		CONTROLLER-TRACTION DRIVE	
	56511588		CONTROL BOARD ASSY	[20]
	56511598		CONTROLLER-STEERING MOTOR	
			MISC	

Pos.	Artikelnummer	Hoeveelheid	Omschrijving	Notes
	56508456		Bougie CS 7000 LPG	[21]
	56510629		BELT-FAN	
	56509442		BELT-3VX X 45.0	
	56510185		GOVERNOR-CONTROLLER	
	56510738		LUG NUT KIT	
	56511577		BELT-FAN-34.75 OD	[22]
	56419087		Ventilatorriem	[23]

Part Notes:

- [1] - For 56505780
- [2] - K1 / Main Relay
- [3] - K5 / Steering Relay
- [4] - Brush
- [5] - Broom
- [6] - Vac
- [7] - Hopper Interlock
- [8] - Optional
- [9] - Brake
- [10] - Plugged Filter Kit / Optional
- [11] - Hopper Dump Door Extent
- [12] - Hopper Temp Sensor Kit
- [13] - Hydraulic Pump Hopper Cyl
- [14] - Side Brooms
- [15] - For 56384565 56384564
- [16] - for 56511937, 56511935, 56511936
- [17] - for Broom Motor
- [18] - Petrol/Gasoline/Diesel
- [19] - EcoFlex / Optional
- [20] - TSB-FC-2018-007 CS7010 Firmware Rev J Update
- [21] - Petrol / Gasoline Engine
- [22] - LEV Engine
- [23] - Diesel Engine

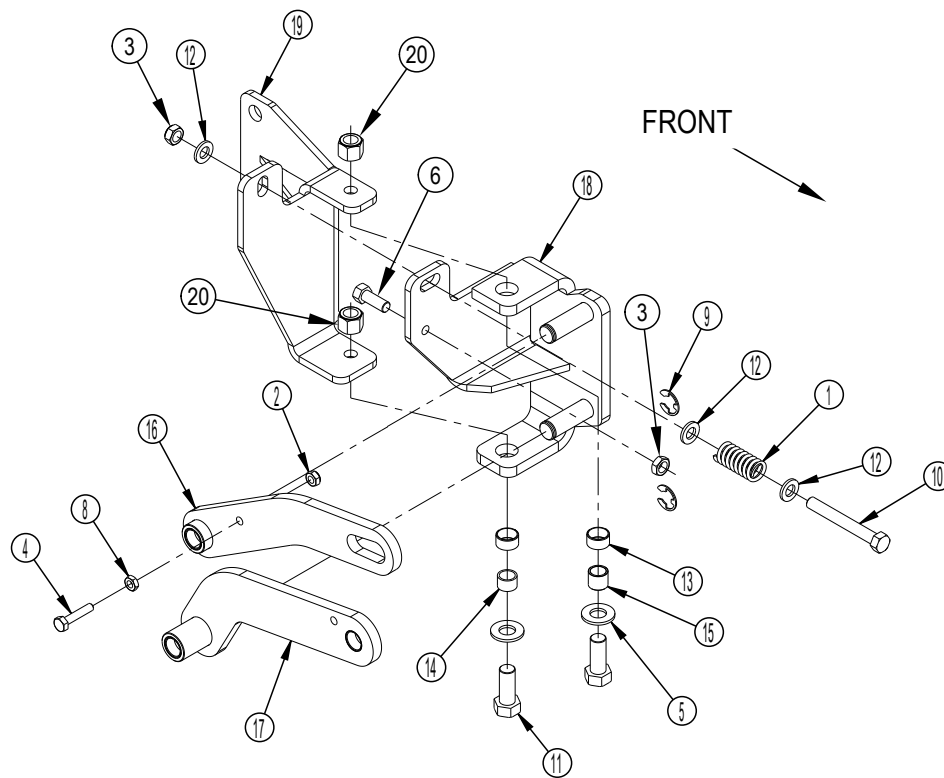


Pos.	Artikelnummer	Hoeveelheid	Omschrijving	Notes
1		1	Scr, Hex 1/4-20 X .88	[1]
2		6	Wsh, Flt Std 1/4	[1]
3		3	Screw M5x20 Wn1451 Black Zn	[1]
4		6	Scr-Pan Phil 1/4-20 X .62	[1]
5		1	Scr-Pan Phil S.S. 1/4-20 X 2.0	[1]
6		12	Wsh, Flt Std 5/16	[2]
7		8	Scr, Hex Hd Loc 5/16-18 X .75	[2]
8		1	Nut, Hex Nyl Loc 1/4-20	[1]
9		6	Scr, Pan Phil SS 10-24 X .62	[3]
10		4	Scr Pan Phil SS 1/4-20 X 1.75	[1]
11		2	Scr, Pan Phil SS 8-32 X .38	[1]
12		2	Scr Panphils Type Ab 10-16x.75	[1]
13		2	Wsh, Flt .266 X .906 X .060	[1]
14		3	Clamp, Plastic	[4]
15	56386202	2		
16	56368989	1	Bus BA 500	
17	56382992	1	Kabel Compleet Quick Link 19.5 In	
18	56440213	2	Slangklem	
19		1	Clamp- Hose SAE #36	[5]
20	56486112	1	STEUN	
21	56507188	1	Klinkinrichting hopper	
23		2	Tank Pivot Weldt	[6]
24	56394245	1	TANK-RECOVERY	
24	56509194	1	TANK-RECOVERY	[7]
25	56509285	1	EXHAUST COVER	
26	56509304	1	LATCH PIN WELDMENT	
27	56509350	1	COVER-RECOVERY TANK	[8]
28	56509355	1	TETHER HOOK	
29	56509364	1	PLATE-COVER	
30		1	Vac Fan Cover Assy	
30a		2	Scr Pan Phil SS 1/4-20 X .62	[1]
30b		2	Scr, Pan Phil Plastite 10-14 X .50	[1]
30c		4	Scr, Pan Phil Type B 1/4-14 X .62	[1]
30d	56314400	1	SNOER 9 INCH	
30e		4	Cage, Float	[9]
30f		2	Ball, Float	[9]
30g	56413194	1	Screen Filter	
30h	56413195	1	Filter	
30i	56453849	2	BUSHING .26X.37X.28	
30j	56509201	1	COVER-VAC FAN	
30k	56511945	1	GASKET-VAC MOTOR-INLET	
30l	56511732	1	PLATE-VACUUM-TOP	
30m	56510695	2	LATCH-PLASTIC	
30n	56510701	1	LID ASSY-VAC FILTER	
	56314491	1	GASKET VAC COVER	
31	56509985	1	Slang zuigmond	
32	56510143	2	TAB-HINGE	
33	56510189	1	PLATE-INLET	
34	56511400	2	VAC MOTOR-42VDC-17000RPM-.75HP	[10]
		1	Vacuum Motor Brush Kit	[11]
36	56510232	1	GASKET-RECOVERY COVER	
37	56510611	1	Vuil container	
38	56510674	2	GASKET-COVER	
39	56510676	1	TRIM-SEAL	
40	56510677	2	FOAM TUBE ASSY	
41	56510678	1	GASKET-TANK	
42	56510679	1	GASKET-INLET PLATE	
43		5	Wsh-Flt SS .266 X .906 X .060	[1]

Pos.	Artikelnummer	Hoeveelheid	Omschrijving	Notes
44	56511738	1	VACUUM PLATE ASSY-BOTTOM	
45		1	Drain Hose Ribbed	[5]
46	56511189	1	GASKET-PANEL	
47	56511190	1	GASKET-COVER	
48	56003372	4	VIJS 5/16 18x1,25	
49	56116865	6	SCREW M4X12 WN1451 BLACK ZN	
50	56394349	1	PLATE WELDMENT	
51	56385477	1	CLIP-SPRING	
			Service Kits	
K1	56510580	1	LID KIT-REC	
K2	56510583	1	FLOAT BALL CAGE KIT	
K3	56383261	1	Vuilwaterafvoerslang CS7000	
K4	56510586	1	CLIP KIT-DRAIN HOSE	
K5	56511889	1	HARDWARE KIT-RECOVERY SYS	
K6	56510584	1	PIVOT KIT-REC TANK	
K7	56116107	1	CARBON BRUSHES	

Part Notes:

- [1] - K5
- [2] - K5,K6
- [3] - K4,K5
- [4] - K4
- [5] - K3
- [6] - K6
- [7] - Was used from launch (~2017) and was changed out in 2020.
- [8] - K1
- [9] - K2
- [10] - M4 / M5
- [11] - K7



Right Side Broom Arm Assembly

CS7010 1200B NIL

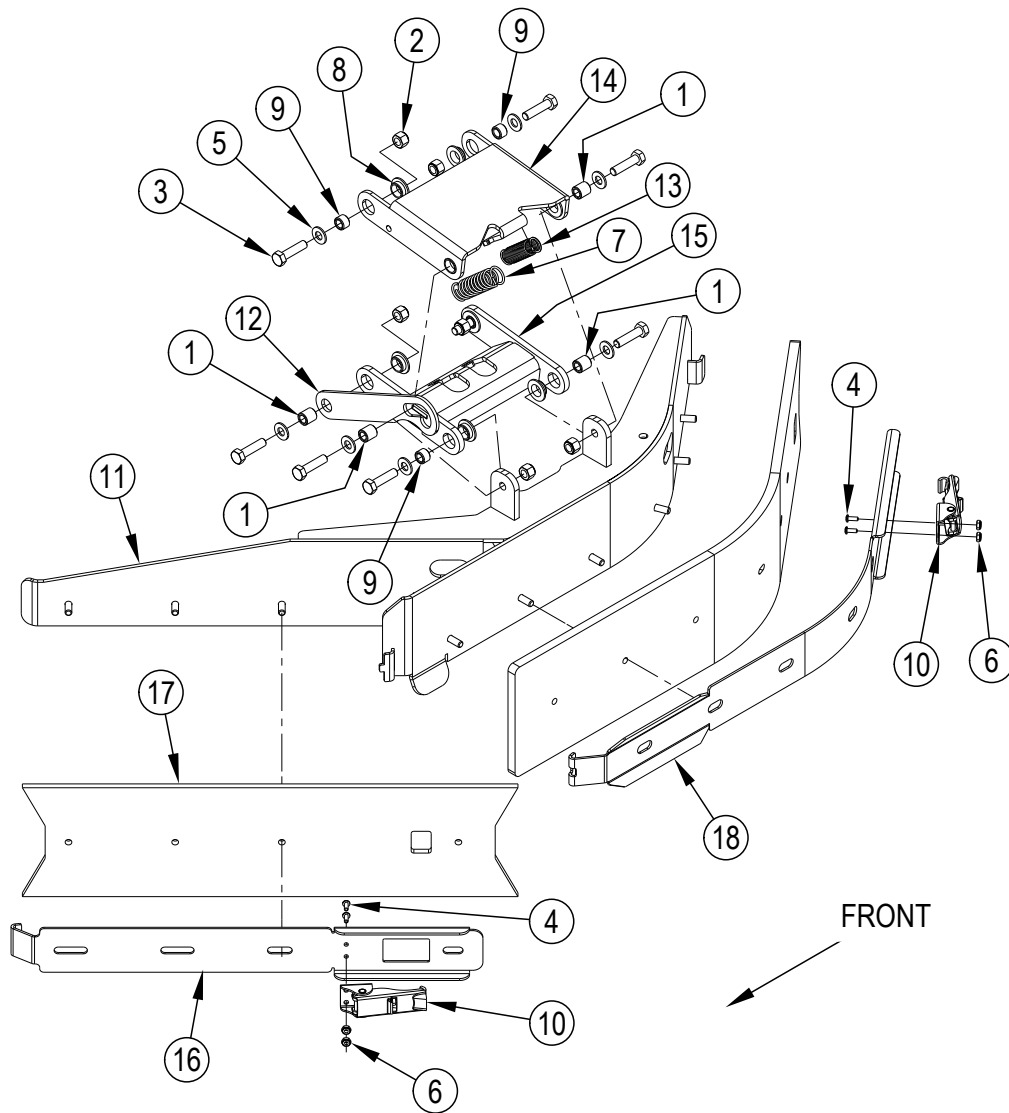
2017.11.02

2017.04.25

Pos.	Artikelnummer	Hoeveelheid	Omschrijving	Notes
	56511195	1	RT SB ARM ASSY	
1	56171123	1	Veer	
2		1	Nut, Hex Nyl Loc-Thin SS 1/4-20	[1]
3		2	Nut, Hex Nyl Loc-Thin SS 3/8-16	
4		1	Scr- Hex SS 1/4-20 X 1.25	[1]
5		2	Wsh-Flt SAE SS 1/2	
6		1	Scr Hex 3/8-16 X 1.00	
7			Intentionally Omitted	
8		1	Nut-Hex Jam SS 1/4-20	[1]
9		2	Ring, Ret Ext Type E 0.62 Dia	[1]
10		1	Scr- Hex SS 3/8-16 X 3.00	
11		2	Scr Hex S.S. 1/2-13 X 1.5	
12		3	Wsh-Flt .406x.750x.090	
13		2	Bearing, .719 X .625 X .375	
14		1	Bushing	
15		1	Bushing	
16		1	Upr Rt Arm Assy	[1]
17		1	Lwr Rt Arm Assy	[1]
18		1	Right Hinge Weldt	
19		1	Right Hinge Weldt	
20		2	Nut Hex Nyl Loc SS 1/2-13	
			Service Kits	
K1	56382854	1	ARM ASSY KIT-RT	

Part Notes:

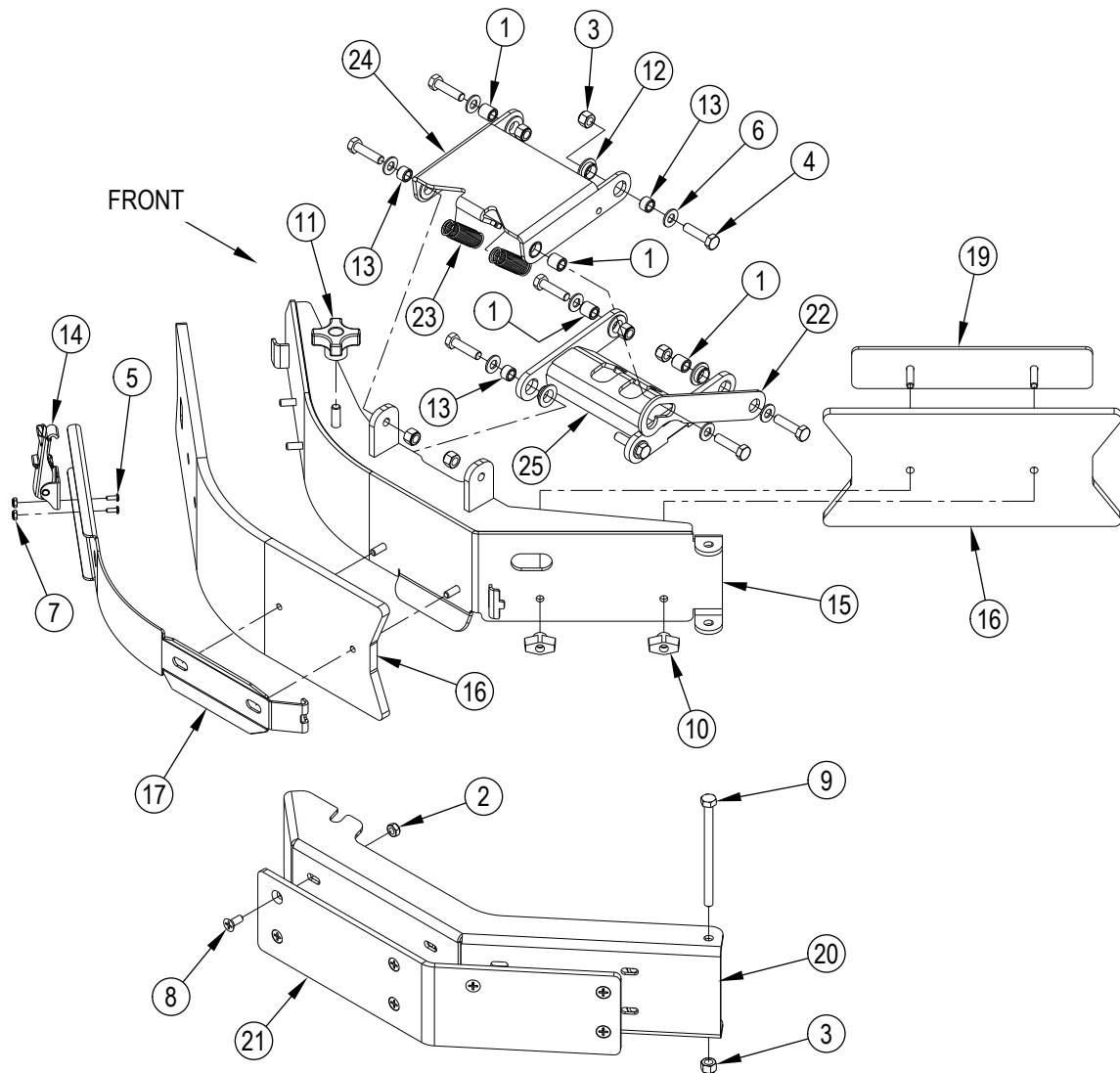
[1] - K1



Pos.	Artikelnummer	Hoeveelheid	Omschrijving	Notes
		1	Assembly-Side Squeegee	
1		2	Bushing .31x.50x.53fc105c	[1]
2		8	Nut, Hex Nyl Loc SS 5/16-18	[1]
3		8	Scr- Hex SS 5/16-18 X 1.25	[1]
4		4	Scr, Pan Phil SS 6-32 X .38	[2]
5		8	Wsh-Fit SAE SS 5/16	[1]
6		4	Nut, Hex Nyl Loc-Thin SS 6-32	[2]
7	56305253	1	Veer	
8		8	Bearing, Flange .625 X .500 X .250	[1]
9		4	Bushing .32x.50x.35	[1]
10		2	Latch Assembly	[2]
11	56511161	1	Zijstrip houder	
12	56510139	1	PLATE-CATCH	[1]
13	56510254	1	SPRING-EXTENSION	[1]
14		1	Arm-Side Squeegee Weldt	[1]
15		1	Arm-Side Squeegee Weldt	[1]
16		1	Strap-Blade	[3]
17	56510374	1	RUBBERS SCHROBDECK ROOD	[4]
18		1	Strap-Blade	[5]
			Deck Blade Kits	
	56510374	1	RUBBERS SCHROBDECK ROOD	[4]
	56510375	1	RUBBERS SCHROBDECK RUBBER	[6]
	56510376	1	RUBBERS SCHROBDECK PU	[6]
			Service Kits	
K1	56510810	1	Zuigmond houder	
K2	56510883	1	Linkse stripsbevestiging	
K3	56510882	1	Rechtse stripsbevestiging	

Part Notes:

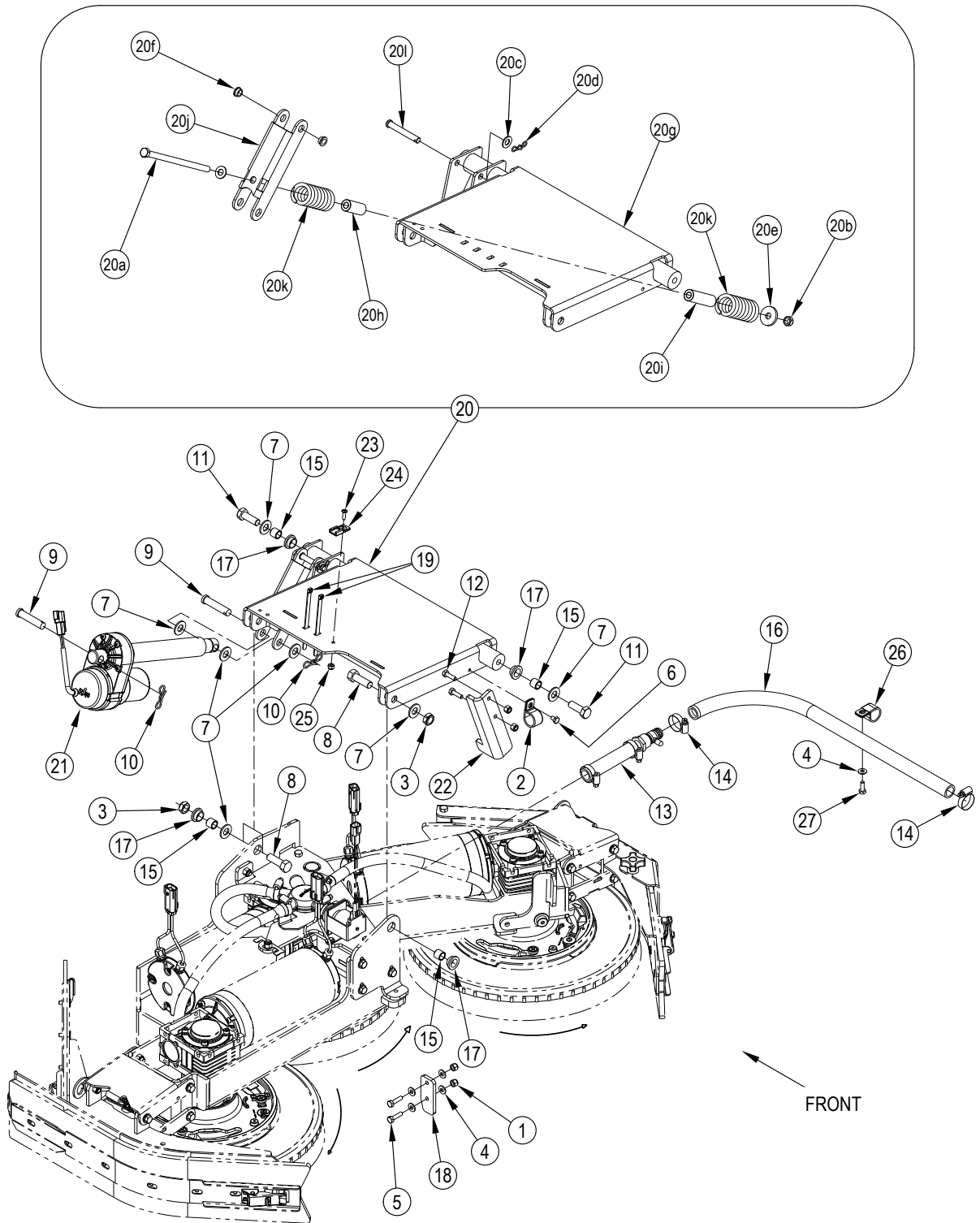
- [1] - K1
- [2] - K2,K3
- [3] - K2
- [4] - All Deck Blade Kits include all blades for both skirt assemblies
- [5] - K3
- [6] - All Deck Blade Kits include all blades for both skirt assemblies. Optional, Not Included



Pos.	Artikelnummer	Hoeveelheid	Omschrijving	Notes
		1	Assembly-Side Squeegee	
1		2	Bushing .31x.50x.53fc105c	[1]
2		8	Nut, Hex Nyl Loc-Thin SS 1/4-20	[2]
3		9	Nut, Hex Nyl Loc SS 5/16-18	[3]
4		8	Scr- Hex SS 5/16-18 X 1.25	[1]
5		2	Scr, Pan Phil SS 6-32 X .38	[4]
6		8	Wsh-Fit SAE SS 5/16	[1]
7		2	Nut, Hex Nyl Loc-Thin SS 6-32	[4]
8		8	Scr-Fit Phil SS 1/4-20 X .75	[2]
9		1	Scr- Hex SS 5/16-18 X 4.50	[5]
10		2	Knob, Wing	[5]
11	56407303	1	Knop	
12		8	Bearing, Flange .625 X .500 X .250	[1]
13		4	Bushing .32x.50x.35	[1]
14		1	Latch Assembly	[4]
15	56511160	1	BLADE SPRT WLDT	
16	56510374	1	RUBBERS SCHROBDECK ROOD	[6]
17		1	Strap-Blade	[4]
19	56511275	1	STRAP WELDMENT-SQUEEGEE	
20	56511213	1	GUARD-EDGE SCRUB	
21		1	Guard-Uhmw	[2]
22	56510139	1	PLATE-CATCH	[1]
23	56510254	2	SPRING-EXTENSION	[1]
24		1	Arm-Side Squeegee Weldt	[1]
25		1	Arm-Side Squeegee Weldt	[1]
			Deck Blade Kits	
	56510374	1	RUBBERS SCHROBDECK ROOD	[6]
	56510375	1	RUBBERS SCHROBDECK RUBBER	[7]
	56510376	1	RUBBERS SCHROBDECK PU	[7]
			Service Kits	
K1	56383050	1	ARM KIT RECHTS SQGEE	
K2	56510811	1	STRAP KIT-SIDE SQGEE	
K3	56510812	1	HARDWARE KIT-SIDE SQGEE RT	
K4	56510813	1	GUARD KIT-UHMW	

Part Notes:

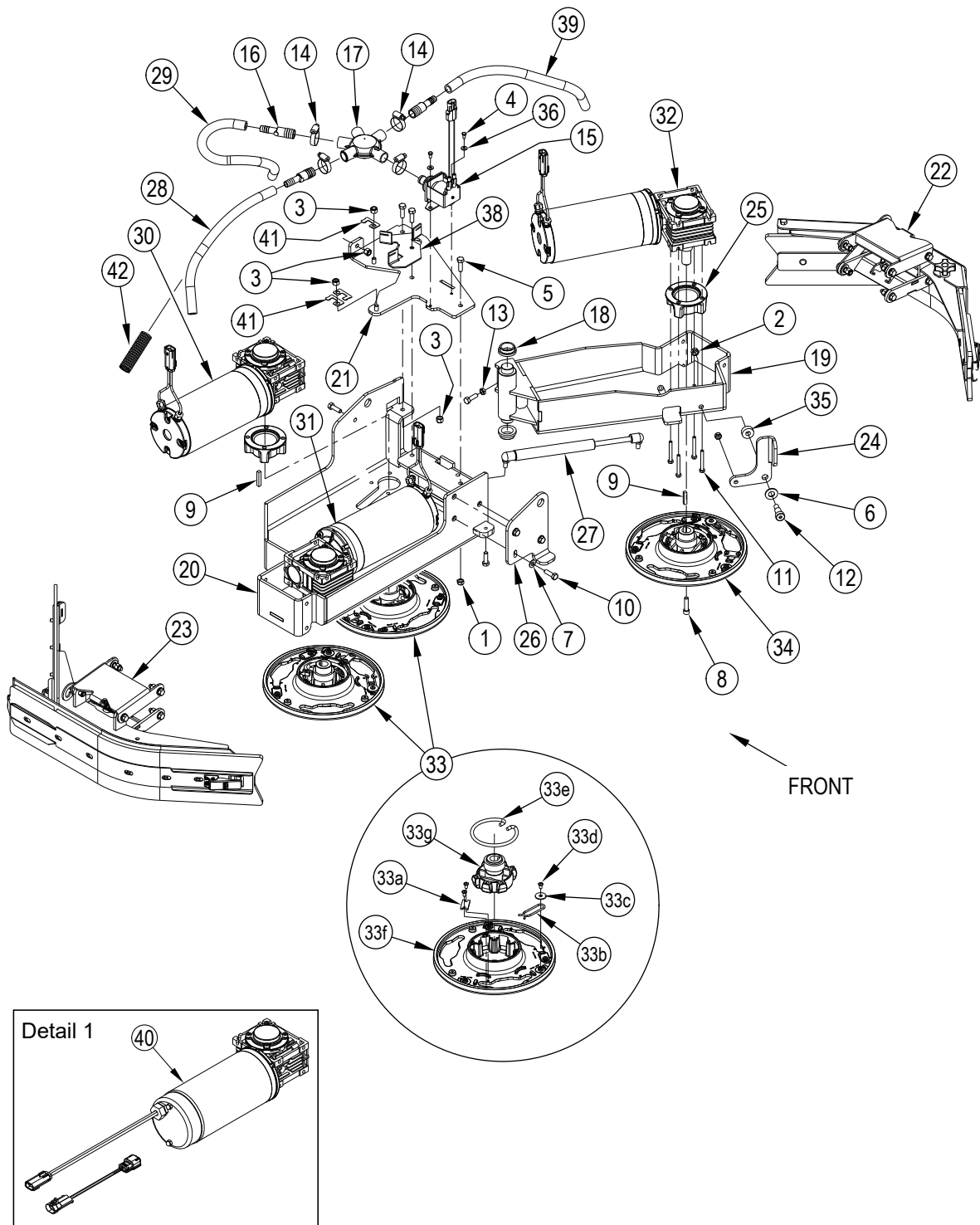
- [1] - K1
- [2] - K4
- [3] - K1,K3
- [4] - K2
- [5] - K3
- [6] - All Deck Blade Kits include all blades for both skirt assemblies
- [7] - All Deck Blade Kits include all blades for both skirt assemblies. Optional, Not Included



Pos.	Artikelnummer	Hoeveelheid	Omschrijving	Notes
1		6	Nut, Hex Nyl Loc SS 1/4-20	[1]
2	56303651	2	CLAMP P CL-16	
3		2	Nut, Hex Nyl Loc-Thin SS 1/2-13	[1]
4		5	Wsh-Fit SAE SS 1/4	[1]
5		2	Scr- Hex SS 1/4-20 X 1.00	[1]
6		1	Scr Hex Thd Form 1/4-20x .38	[1]
7		8	Wsh-Fit SAE SS 1/2	[1]
8		2	Scr- Hex SS 1/2-13 X 1.50	[1]
9		2	Clevis Pin	[1]
10		2	Pin- Bow-Tie Cotter 7/16 - 1/2	[1]
11		2	Scr-Hex Loc SS M12-1.75 X 35mm	[1]
12		2	Scr- Hex SS 1/4-20 X .88	[1]
13	56510946	1	CHEM. INJECTION TEE ASSY	
14	56244969	3	Slang klem SAE	
15	56367206	4	Bus	
16	56510948	1	Slang-.75 X 21.50 IN. SPIRAL	
17	56420160	4	Lager	
18	56510625	1	STOP-SCRUB DECK	
19	2-00-04345	2	15.35 In Kabelband Blk Nylon	
20		1	Arm-Deck Lift Assembly	
20a	56003845	1	SCR-HEX SS 3/8-16 X 7.0	
20b	56002852	1	NUT HEX NYL LOC-THIN SS 3/8-16	
20c	56002910	2	Schroef	
20d	56003813	1	PIN-BOW-TIE COT 1/4-3/8X.072	
20e	56009195	1	WSH FLT .406X 1.250X .164	
20f	56324505	2	Lager	
20g	56511162	1	Deck lift	
20h	56509186	1	SPACER-.385 X .75 X 1.75	
20i	56509189	1	SPACER-.385 X .75 X 2.5	
20j	56511146	1	ARM-LIFT SPRING	
20k	56601470	2	COMPRESSION SPRING	
20l	2-00-06075	1	PIN CLEVIS 3/8 X 2.625	
21	56511263	1	ACTUATOR-LIN-36V-152 MM STROKE	[2]
22	56509622	1	BRACKET-POSITIVE STOP	
23	56002124	1	Schroef 10-24 X .62 PNH PH	
24	56511941	1	CLIP-DEUTSH CONNECTOR	
25	56002836	1	NUT HEX NYL LOC SS 10-24	
26	56303651	2	CLAMP P CL-16	
27	56002807	1	SCR HEX SS 1/4-20 X .75	
			Service Kits	
K1	56511886	1	HARDWARE KIT-SCRUB SYS	

Part Notes:

- [1] - K1
 [2] - M17

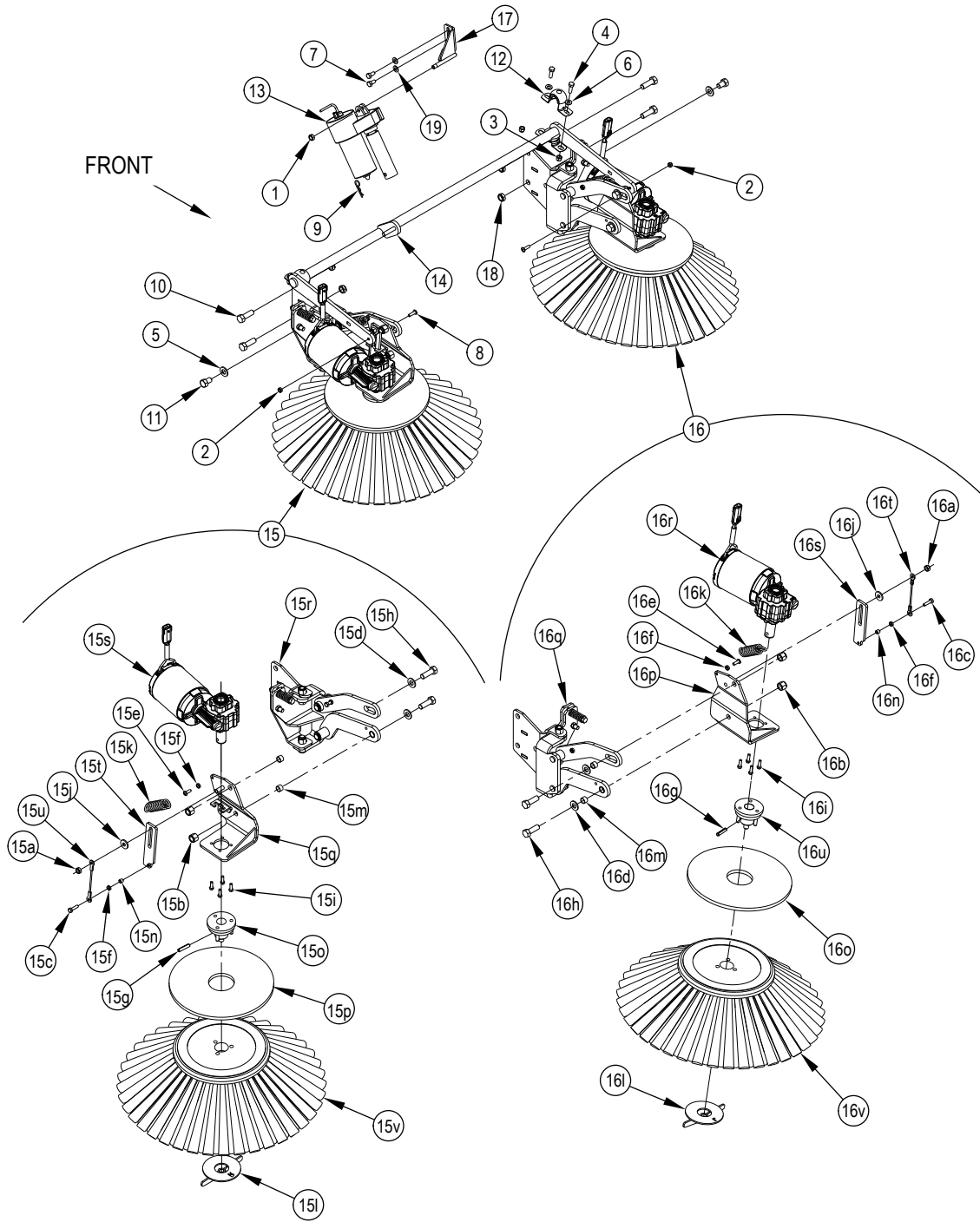


Pos.	Artikelnummer	Hoeveelheid	Omschrijving	Notes
1		2	Nut, Hex Nyl Loc-Thin SS 5/16-18	[1]
2		1	Nut, Hex Nyl Loc-Thin SS 3/8-16	[1]
3		6	Nut, Hex Nyl Loc SS 5/16-18	[1]
4		2	Scr- Hex SS 10-24 X .38	[1]
5		5	Scr- Hex SS 5/16-18 X 1.00	[1]
6		1	Wsh-Fit SAE SS 1/2	[1]
7		3	Wsh-Fit SAE SS 5/16	[1]
8		3	Scr-Soc Hd SS 5/16-18 X 1.25	[1]
9		3	Key, Sq .25 X 1.44	[1]
10		4	Scr-Hex Loc SS 5/16-18 X 1.00	[2]
11		12	Scr-Hex Loc SS M6-1 X 50mm	[2]
12		1	Scr-Soc Shd .50 X .75 X 3/8-16	[2]
13		1	Nut-Hex Jam SS 5/16-18	[2]
14	56244969	4	Slang klem SAE	[3]
15	56511832	1	VALVE-SOLENOID ASSY-36V	
16	56315625	3	barb coupler 3/4 X 1/2	
17	56413426	1	MANIFOLD SOLUTION	[3]
18	56507767	2	BEAR FLAN IGUS 1.00X1.25X.50	
19	56511270	1	ARM-WELDMENT	
20	56511271	1	DECK-WELDMENT	
21	56511159	1	PLATE-PIVOT	
22		1	Assembly-Side Squeegee	
23		1	Assembly-Side Squeegee	
24	56511210	1	BRACKET-LEVER ARM	
25	56510005	3	SPACER-MOTOR	
26	56511126	1	BRACKET-SCRUB ADJUSTMENT	
27	56510144	1	SPRING-GAS	
28	56510287	1	HOSE-PUSH LOCK 14	
29	56510288	1	HOSE-PUSH LOCK 17.5	
30	56511937	1	GEARMOTOR ASSY-CENTER	[4]
	56510013	1	SHAFT-GEARBOX	
	56511242	1	GASKET-GEARBOX COVER	
	56422152	1	KIT WHEEL DRIVE BRUSHES	[5]
31	56511935	2	GEARMOTOR ASSY-LEFT	[6]
	56510013	1	SHAFT-GEARBOX	
	56511242	1	GASKET-GEARBOX COVER	
	56422152	1	KIT WHEEL DRIVE BRUSHES	[7]
32	56511936	1	GEARMOTOR ASSY-RIGHT	[8]
	56510013	1	SHAFT-GEARBOX	
	56511242	1	GASKET-GEARBOX COVER	
	56422152	1	KIT WHEEL DRIVE BRUSHES	[9]
33	56601276	2	BRUSH PLATE ASSEMBLY	
33a	56366455	1	Stop	
33b	56366463	1	Veer	
33c	56009002	1	Ring plat 266x906x060	
33d	56009247	3	Schroef PN PHIL PLASTITE 10 14X.38	
33e	56601056	1	Veer borstelhouder	
33f	56601118	1	BRUSH PLATE	
33g	56112521	1	Gimbal collar assembly	
34	56601384	1	Brush Plate Ass.	[10]
35	56510990	1	SPACER .531X1.00X.370	
36		2	Wsh Fit SS .219x.500x.047/.062	[2]
38		1	Bracket-Manifold	[3]
39	56510289	1	HOSE-PUSH LOCK 16	
40		1	Scrub Motor Assembly	[11]
	56510763	1	BRUSH KIT-MOTOR	[12]
41	56384494	3	CLIP-MOUNT-TIE DOWN	
42	56394427	1		

Pos.	Artikelnummer	Hoeveelheid	Omschrijving	Notes
			Service Kits	
K1	56511886	1	HARDWARE KIT-SCRUB SYS	
K2	56510807	1	HARDWARE KIT-DECK ASSY	
K3	56384703	1	MANIFOLD BRACKET KIT	

Part Notes:

- [1] - K1,K2
- [2] - K1
- [3] - K3
- [4] - Includes:
 - 56003335 SCR-HEX LOC SS 5/16-18 X .88
 - 56009057 WSH, FLT HARDEN .344X1.000X.120/.135
 - 56314359 KEY, 6MM SQ
 - 56510013 SHAFT-GEARBOX
 - 56511242 GASKET-GEARBOX COVER
 - 56511934 GEARMOTOR ASSY-36V-240 RPM
- [5] - for 56511937
- [6] - M13 / M14
 - Includes:
 - 56003335 SCR-HEX LOC SS 5/16-18 X .88
 - 56009057 WSH, FLT HARDEN .344X1.000X.120/.135
 - 56314359 KEY, 6MM SQ
 - 56510013 SHAFT-GEARBOX
 - 56511242 GASKET-GEARBOX COVER
 - 56511932 GEARMOTOR ASSY-36V-240 RPM
- [7] - for 56511935. Not Shown
- [8] - M15
 - Includes:
 - 56003335 SCR-HEX LOC SS 5/16-18 X .88
 - 56009057 WSH, FLT HARDEN .344X1.000X.120/.135
 - 56314359 KEY, 6MM SQ
 - 56510013 SHAFT-GEARBOX
 - 56511242 GASKET-GEARBOX COVER
 - 56511932 GEARMOTOR ASSY-36V-240 RPM
- [9] - for 56511936. Not Shown
- [10] - Uses same components as 56601276
- [11] - Machines with Imperial Scrub Motor Assemblies require Brush Motor Kits 56510763.
- [12] - See Detail 1 to identify the style of motor that requires this Brush Kit.

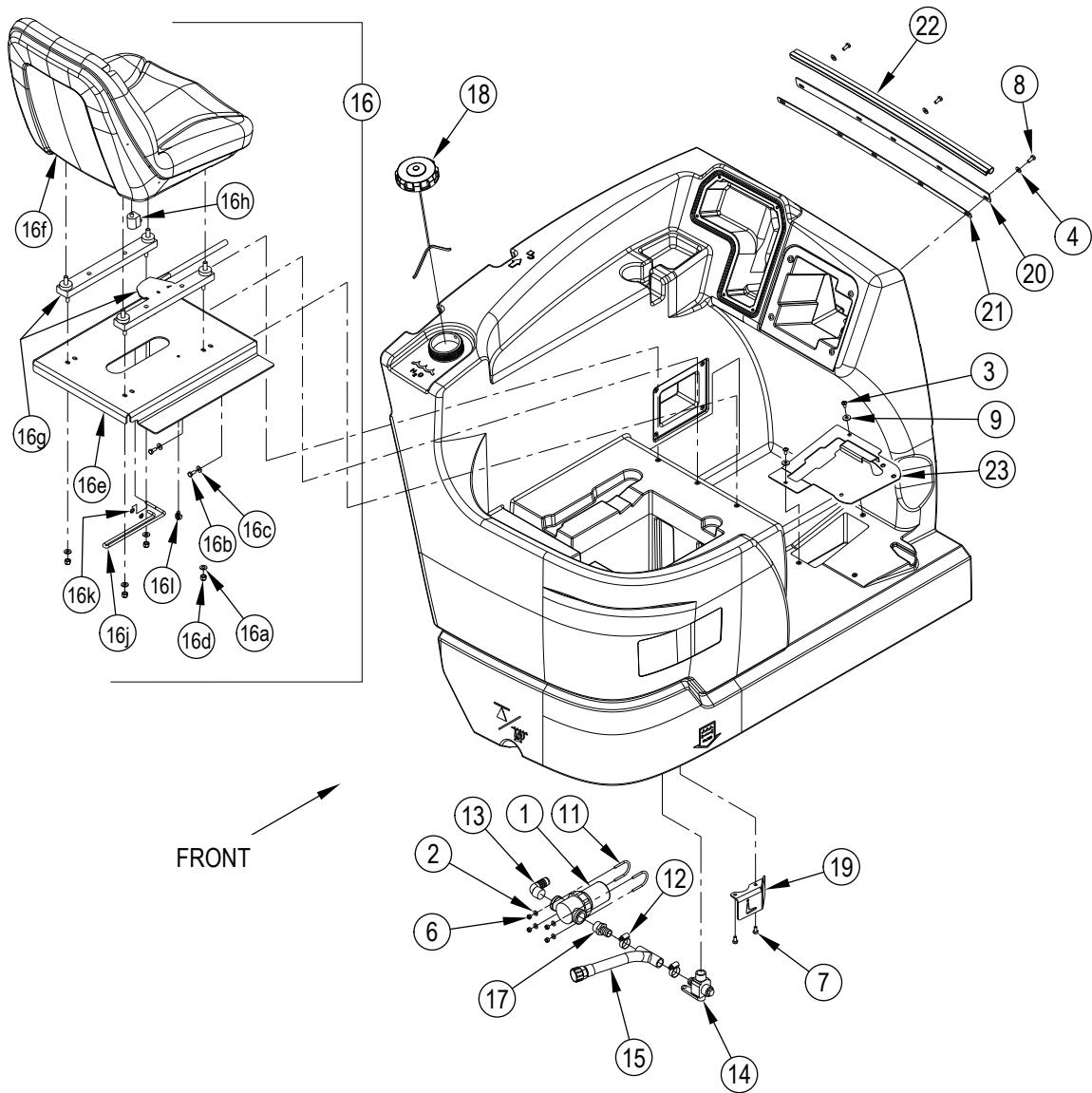


Pos.	Artikelnummer	Hoeveelheid	Omschrijving	Notes
1		1	Nut, Hex Nyl Loc-Thin 3/8-16	[1]
2		2	Nut, Hex Nyl Loc-Thin SS 1/4-20	[1]
3		4	Nut, Hex Nyl Loc SS 5/16-18	[2]
4		4	Scr- Hex SS 5/16-18 X 1.00	[2]
5		2	Wsh-Fit SAE SS 1/2	[1]
6		4	Wsh-Fit SAE SS 5/16	[2]
7		2	Scr, Hex Hd Loc	[1]
8		2	Scr, Pan Phil SS 1/4-20 X .88	[1]
9		1	Pin, Cotter Hair .0915 X .375	[1]
10		4	Scr- Hex SS 1/2-13 X 1.50	[1]
11	56003834	2	SCR-HEX LOC SS 1/2-13 X .75	[1]
12		2	Bearing, Pillow Block	[3]
13	56116781	1	ACTUATOR-SQUEEGEE	
14	56511113	1	SIDE BROOM LIFT WELDT	
15		1	Right Side Broom Assy	
15a		1	Nut Hex Nyl Loc-Thin Ss 3/8-16	[4]
15b		2	Nut, Hex Nyl Loc SS 1/2-13	[5]
15c		1	Scr- Hex SS 1/4-20 X 1.00	[5]
15d		2	Wsh-Fit SAE SS 1/2	[5]
15e		1	Scr, Pan Phil SS 1/4-20 X .75	[6]
15f		2	Nut-Hex Jam SS 1/4-20	[6]
15g		1	Pin, Spr .31 X 1.38	[7]
15h		2	Scr- Hex SS 1/2-13 X 1.50	[5]
15i		4	Scr-Hex Loc Ss M6-1 X 20mm	[7]
15j		1	Wsh, Fit SS .378 X 1.000 X .120	[5]
15k	56051136	1	Veer	[4]
15l	56305731	1	Rechter thumb nut	
15m		2	Bushing	[4]
15n		1	Bushing	[4]
15o	56509046	1	Hub zijborstel	
15p	56509048	1	GUARD-SIDE BROOM	
15q	56511652	1	BROOM MOTOR MOUNT WELDMENT-RS	[4]
15r	56511195	1	RT SB ARM ASSY	[4]
15s	56384565	1	MOTOR-36VDC-115RPM-0.4HP-RIGHT	
	56384521	1	SIDEBROOM MOTOR BRUSH KIT	
15t		1	Bracket-Sb Lift	[4]
15u	56510639	1	Kabel-.31 X 4.75	[4]
15v	56510707	1	ZIJBORSTEL POLY	
16		1	Left Side Broom Assy	
16a		1	Nut Hex Nyl Loc-Thin Ss 3/8-16	[8]
16b		2	Nut, Hex Nyl Loc SS 1/2-13	[9]
16c		1	Scr- Hex SS 1/4-20 X 1.00	[9]
16d		2	Wsh-Fit SAE SS 1/2	[9]
16e		1	Scr, Pan Phil SS 1/4-20 X .75	[10]
16f		2	Nut-Hex Jam SS 1/4-20	[10]
16g		1	Pin, Spr .31 X 1.38	[11]
16h		2	Scr- Hex SS 1/2-13 X 1.50	[9]
16i		4	Scr-Hex Loc Ss M6-1 X 20mm	[11]
16j		1	Wsh, Fit SS .378 X 1.000 X .120	[8]
16k	56051136	1	Veer	[9]
16l	56305725	1	LEFT THUMB NUT WELDMENT	
16m		2	Bushing	[9]
16n		1	Bushing	[9]
16o	56509048	1	GUARD-SIDE BROOM	
16p	56511653	1	BROOM MOTOR MOUNT WELDMENT-LS	[9]
16q	56511196	1	LT SB ARM ASSY	[9]
16r	56384564	1	MOTOR-36VDC-115RPM-0.4HP-LEFT	[12]
	56384521	1	SIDEBROOM MOTOR BRUSH KIT	[13]

Pos.	Artikelnummer	Hoeveelheid	Omschrijving	Notes
16s		1	Bracket-Sb Lift	[9]
16t	56510639	1	Kabel-.31 X 4.75	[9]
16u	56510680	1	LT SB HUB ASSY	
16v	56510707	1	ZIJBORSTEL POLY	
17	56510954	1	ACTUATOR BRACKET WELDT	
18		4	Nut-Hex Nyl Loc-Thin SS 1/2-13	[1]
19		2	Wsh-Flt SAE 5/16	[1]
			Service Kits	
K1	56510736	1	BEARING KIT-SIDE BROOM	
K2	56510767	1	BRKT KIT-RT SIDE BROOM	
K3	56510769	1	BRKT KIT-LT SIDE BROOM	
K4	56511883	1	HARDWARE KIT-SIDE BROOM SYS	
K5	56510822	2	HARDWARE KIT-SIDE BROOM ASSY	

Part Notes:

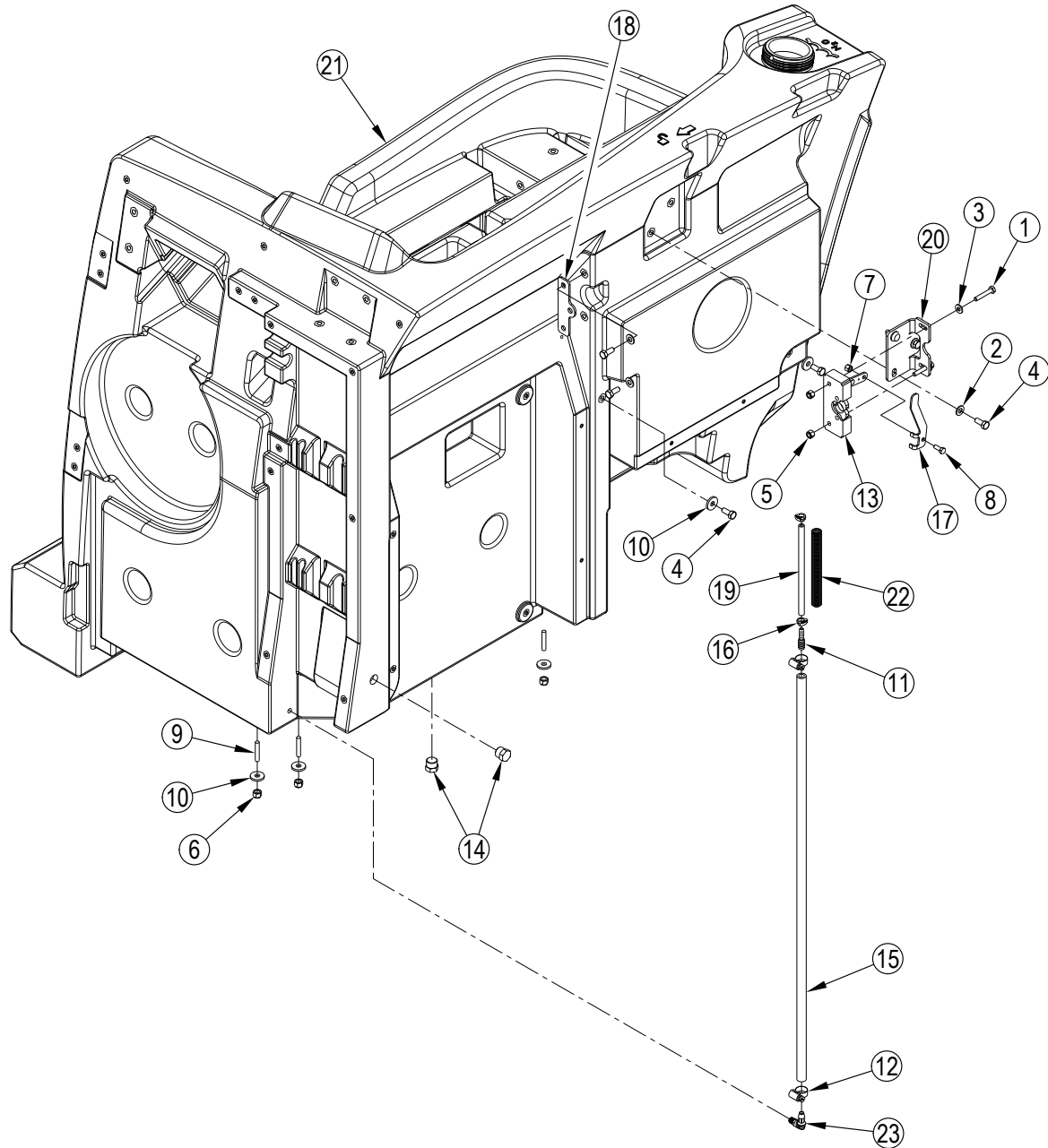
- [1] - K4
- [2] - K1,K4
- [3] - K1
- [4] - K2
- [5] - K2,K4
- [6] - K2,K4,K5
- [7] - K4,K5
- [8] - K3,K4
- [9] - K3
- [10] - K3,K5
- [11] - K5
- [12] - 16r
- [13] - for 56384565 56384564. Not Shown



Pos.	Artikelnummer	Hoeveelheid	Omschrijving	Notes
1	56407162	1	Filter BR 850	[1]
	56384157	1	GASKET-FILTER	[2]
2		4	Wsh, Fit SAE #10	[3]
3	56003119	4	Schroef	[4]
4		3	Wsh, Fit SAE 1/4	[4]
6		4	Nut, Hex Nyl Loc 10-24	[3]
7		2	Scr- Hex SS 1/4-20 X .50	[3]
8		5	Scr, Hex Hd Loc 1/4-20x.62	[4]
9		2	Wsh Fit Std Ss 1/4	
11	56110318	2	U-BOLT 10-24 X R.69	[1]
12		2	Clamp- Hose SAE #10	[1]
13	56305545	1	BARB ELBOW MALE 90 E00037	[1]
14	56509187	1	VALVE-SOLUTION	[1]
15	56383049	1	HOSE ASSY	
16	56394236	1	SEAT ASSEMBLY	
16a	56001939	4	Ring	
16b	56002922	3	Schroef Hex Loc 1/4 20x.62	
16c	56002098	3	Ring 1/4	
16d	56002701	4	Moer	
16e	56394209	1	SEAT MOUNT WELDMENT	
16f	56383291	1	SEAT-8 IN. MOUNT	
16g	7-72-05005	1	Slide adjuster kit	
16h	7-82-00050	1	Schakelaar Stoel	[5]
16i	56315382	1	CLIP CONDUIT	
16j	56394235	1	ROD-PROP	
16k	56003268	1	Ring	
17	56900292	1	Barb	[1]
18	56510442	1	Dop van de Tank	
19		1	Shield-Valve	[1]
20	56510540	1	PLATE-SEAL	
21	56510542	1	PLATE-SPACER	
22	56510590	1	BULB SEAL	
23	56394201	1	COVER WELDMENT	
			Service Kits	
K1	56383052	1	FILTER KIT-SOLUTION	
K2	56511887	1	HARDWARE KIT-SOLUTION SYS	

Part Notes:

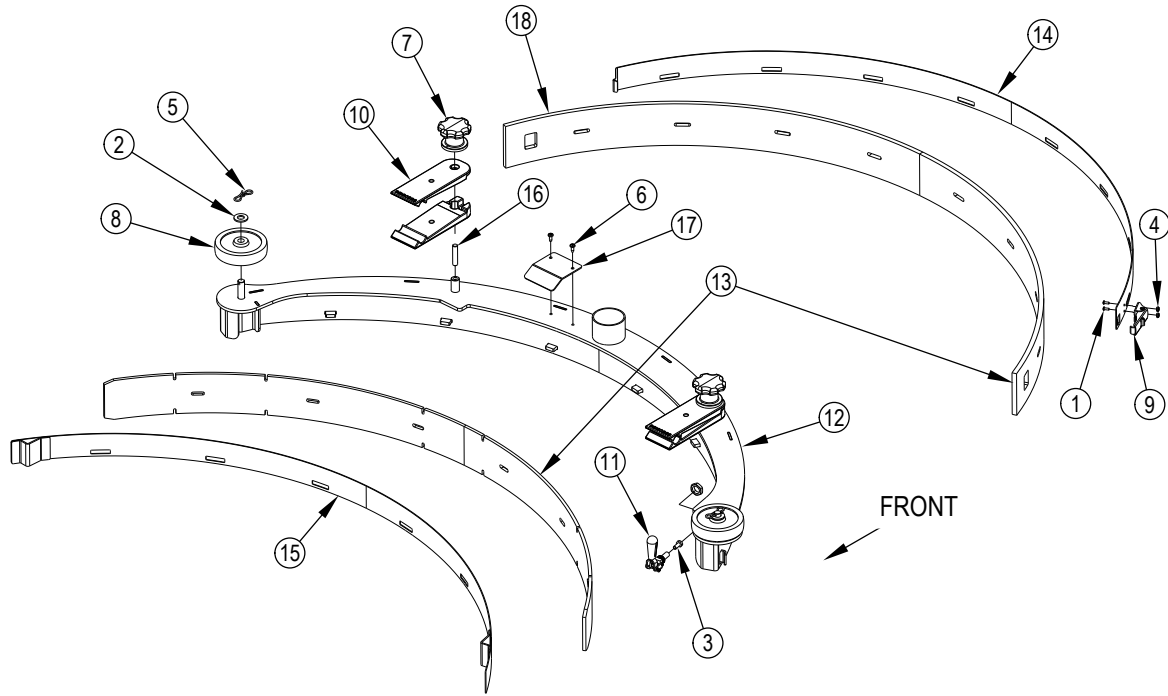
- [1] - K1
- [2] - for 56407162. Not Shown
- [3] - K1,K2
- [4] - K2
- [5] - SW3



Pos.	Artikelnummer	Hoeveelheid	Omschrijving	Notes
1	56001833	2	Schroef	[1]
2	56001939	5	Ring	[1]
3	56002098	2	Ring 1/4	
4	56002667	7	Schroef	[1]
5	56002708	2	Borgmoer nylon	[1]
6	56002856	3	Moer	[2]
7	56003426	1	Borgmoer 6 mm	
8	56003431	1	Bout rvs M6 x 16	[1]
9	56003665	3	STUD SS	[3]
10	56009122	5	Sluitring	[2]
11	56104312	1		[4]
12	56219932	2	Klem slang	
13	56304827	1	slutingsklep	[4]
14	56305547	2	PLUG PIPE E00040	
15	56317083	1	HOSE POLYBRAID E00169	
16	56384956	2	CLAMP-HOSE	
17	56509362	1	HANDLE-RECOVERY LATCH	[4]
18	56509363	1	HOOK-TETHER	
19	56510659	1	TUBE-TYGON	
20	56511123	1	BRACKET-LATCH MOUNT	[4]
21	56394200	1	TANK-SOLUTION	[5]
21	56511578	1	TANK-SOLUTION	[6]
21	56394526	1	TANK-SOLUTION	[7]
22	56511954	1	LOOM-CORRUGATED-1/2X6	
23	56511955	1	BARB-90-ELBOW-3/8X1/8 NPT	
			Service Kits	
K2	56511887	1	HARDWARE KIT-SOLUTION SYS	
K3	56510594	1	LATCH KIT-REC TANK	
K4	56511949	1	SOLUTION SENSING HOSE KIT	[8]

Part Notes:

- [1] - K2,K3
- [2] - K2
- [3] - GUARANTEE DATE EXPIRED
K2
- [4] - K3
- [5] - All machines built after serial number 1000071238 use the new Solution Tank 56394200.
Solution Tank 56394200 and 5 Lug Traction Drive Gearbox and Drive Wheel used on machines before serial number 1000073661.
- [6] - Old tank for CS7010/HCI
CS7010 with solution tank 56511578 or rather before S/N 1000071239, then order 56509988
- [7] - Solution Tank 56394526 and 7 Lug Traction Drive Gearbox and Drive Wheel used on machines after serial number 1000073660.
- [8] - TSB-FC-2018-011 CS7010 Solution Sensing Hose Kit
DE TSB-FC-2018-011 CS7010 neuer Schlauch Kit für Füllstandsanzeige
IS56090352 - Solution Sensing Hose Kit
56511949 Solution Sensing Hose Kit



Pos.	Artikelnummer	Hoeveelheid	Omschrijving	Notes
	56511099	1	ASSEMBLY-SQUEEGEE TOOL	
1		2	Scr-Pan Phil SS 6-32 X .38	[1]
2		2	Wsh-Flt SAE SS 1/2	[2]
3		1	Scr-Hex Loc SS 1/4-20 X .62	[3]
4		2	Nut-Hex Nyl Loc-Thin SS 6-32	[1]
5		2	Pin-Bow-Tie Cotter 7/16 - 1/2	[4]
6		2	Scr Pan Phil Loc Ss 10-24 X .50	[3]
7	56109704	2	ZUIGMOND KNOP	
8	56111639	2	Wiel BA 650	[2]
9		1	Latch Assembly	[5]
10	56510830	4	Klip Kit Zuigmond	[6]
11	56509203	1	Borgklem Pull zuigmond	
12		1	Squeegee Weldment	[7]
13	56510371	1	ZUIGMOND RUBBERS ROOD	[8]
14	56509219	1	Spanband	
15	56509220	1	STRAP-WELDMENT	
16	56510151	2	STUD - 3/8-16X1.75	
17	56510153	1	PLATE-ADJUSTMENT	
18	56394403	1	BLADE-SQ REAR-LINATEX	[9]
	56394404	1	BLADE-SQ REAR-GUM	[9]
	56394405	1	BLADE-SQ REAR-PU	[10]
			Squeegee Blade Kits	
	56510371	1	ZUIGMOND RUBBERS ROOD	[8]
	56510372	1	ZUIGMOND RUBBERS RUBBER	[8]
	56510373	1	ZUIGMOND RUBBERS PU	[8]
			Service Kits	
K1	56511881	1	HARDWARE KIT-SQUEEGEE SYSTEM	
K2	56510830	1	Klip Kit Zuigmond	
K3	56510831	1	LATCH KIT-SQUEEGEE	
K4	56510832	1	WHEEL KIT-SQUEEGEE	
K5	56510833	1	HARDWARE KIT-SQUEEGEE TOOL	

Part Notes:

- [1] - K1,K3
- [2] - K4
- [3] - K1,K5
- [4] - K1,K3,K4
- [5] - K3
- [6] - K2
- [7] - The squeegee weldment is not available for sale separately. If you need to replace it please order the entire squeegee assembly 56511216
- [8] - All squeegee blade kits include both front and rear squeegee blades
- [9] - If you need to replace the rear squeegee blades, they are available for sale separately
- [10] - EXPIRED USE 56510373

If you need to replace the rear squeegee blades, they are available for sale separately

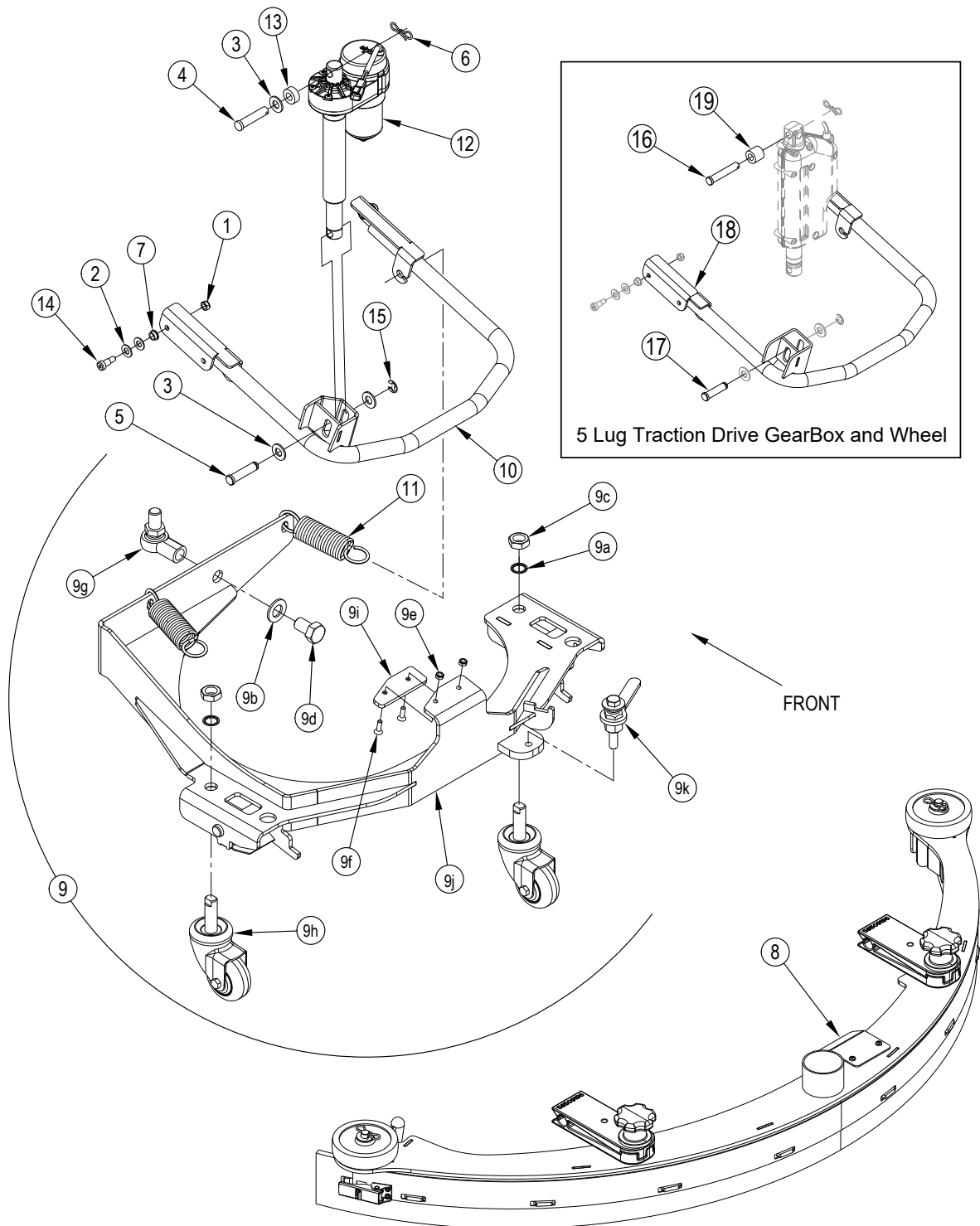
SQUEEGEE BLADE SELECTOR GUIDE

Gum Rubber: Provides superior wiping action on tile, terrazzo, and polished floors.

Red Gum Rubber: Provides longest life on finished or unfinished concrete floors.

Polyurethane: Oil resistance provides superior life in applications with oily floors.

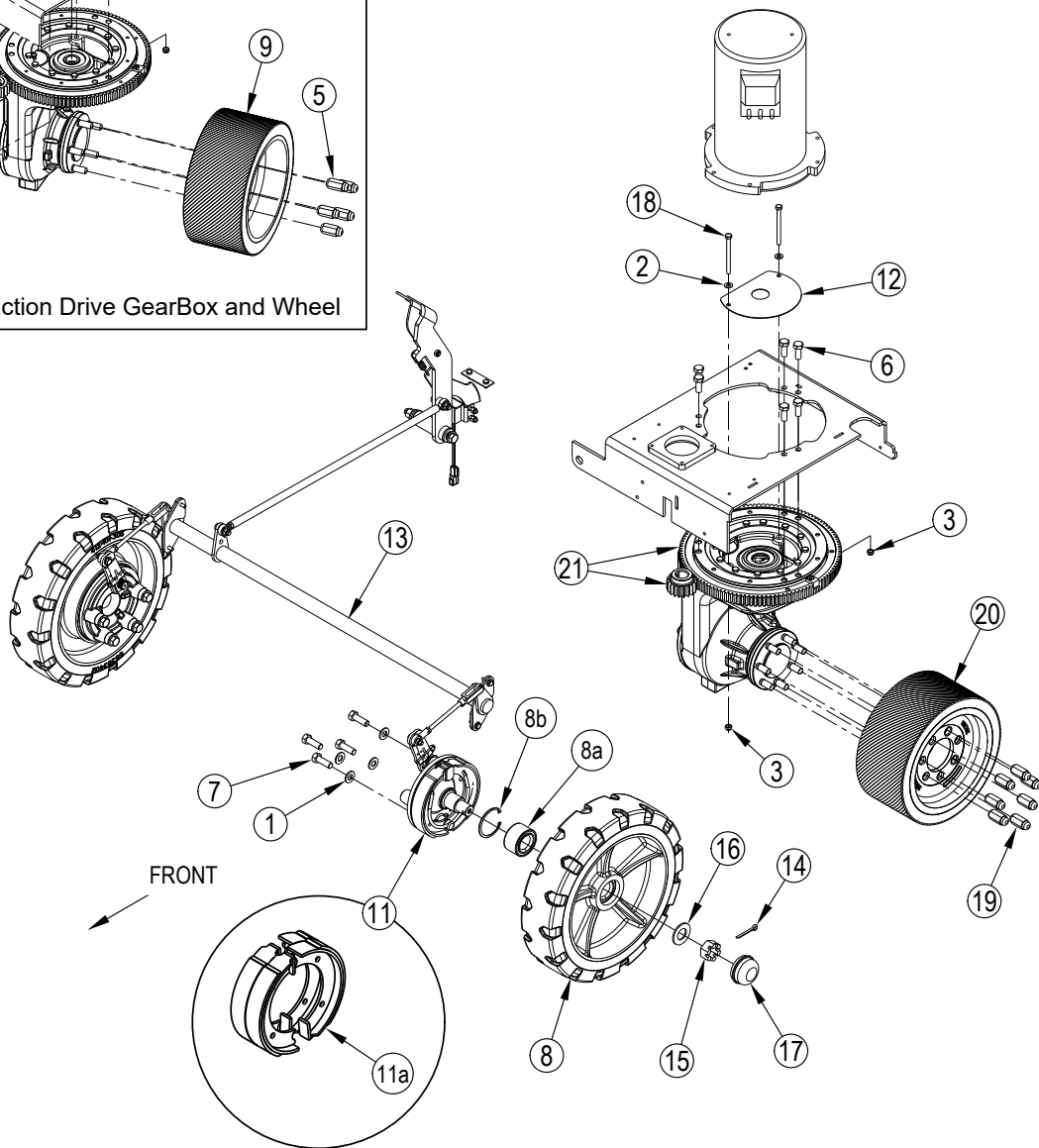
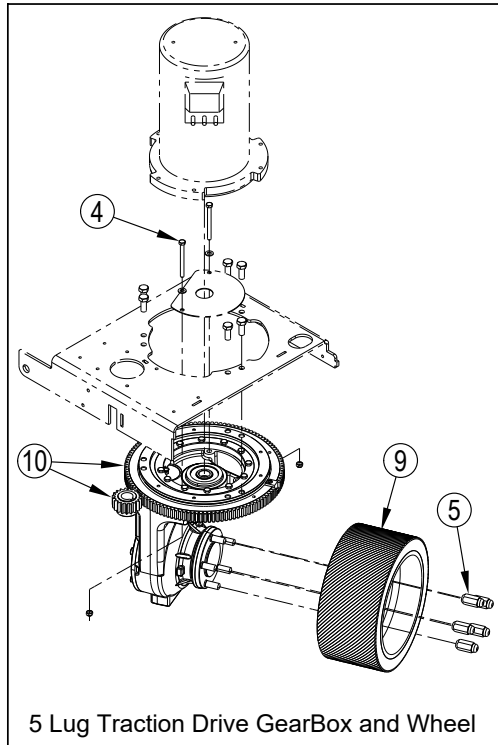
SQUEEGEE BLADE APPLICATION GUIDE(SUGGESTION ONLY)			
Performance Traits	Gum Rubber (Natural Rubber)	Red Gum Rubber (Natural Rubber)	Polyurethane/ Pentathane
Tear Strength		X	X
Abrasion Resistance		X	X
Applications			
Oil Resistant Applications			X
Appearance	Tan	Red	Translucent



Pos.	Artikelnummer	Hoeveelheid	Omschrijving	Notes
1		2	Nut, Hex Nyl Loc-Thin SS 5/16-18	[1]
2		4	Wsh-Fit SAE SS 3/8	[1]
3		2	Wsh-Fit SAE SS 1/2	[2]
4		1	Pin-Clevis .500 X 2.25	[3]
5		1	Pin-Clevis-Grooved-SS .5 x 2.13	[3]
6		1	Pin- Bow-Tie Cotter 7/16 - 1/2	[4]
7		2	Bearing, Flange	[1]
8	56511216	1	ASSEMBLY-SQUEEGEE TOOL	[5]
9		1	Assembly-Squeegee Support	
9a		2	Washer, Int. Shake Pr	[6]
9b		1	Wsh, Fit SAE 3/4	[7]
9c		2	Nut Hex Jam 3/4-10	[6]
9d		1	Scr, Hex 3/4-16 X 1.25 Grade8	[7]
9e		2	Nut, Hex Nyl Loc-Thin SS 1/4-20	[8]
9f		2	Scr-Fit Phil SS 1/4-20 X .88	[8]
9g		1	Rod End	[9]
9h		2	Caster-Squeegee	[6]
9i		1	Pad-Squeegee Lift	[10]
9j	56511280	1	SUPPORT WELDT	
9k	56510168	1	HANDLE-ADJUSTMENT	
10	56394645	1		[11]
11	56509246	2	SPRING-EXTENSION	
12	56511259	1	ACTUATOR-LIN-36V-89MM STROKE	[12]
13		1	Spacer-.510 X 1 X .88	[3]
14		2	3/8 Shoulder Screw 1/2lg 5/16-18thrd	[1]
15		1	Retaining Ring-E Style-SS .5	[4]
16		1	Pin-Clevis .500 X 2.25	[4]
17		1	Pin-Clevis-Grooved-SS .5 x 2.13	[4]
18	56509241	1	ARM-SQUEEGEE LIFT	
19		1	Spacer-Actuator	[4]
			Service Kits	
K1	56511881	1	HARDWARE KIT-SQUEEGEE SYSTEM	
K2	56510768	1	HARDWARE KIT-SQEGEE ACTUATOR	
K3	56510817	1	Wielkit zuigmond CS 7000	
K4	56510828	1	PAD KIT-SQUEEGEE LIFT	
K5	56510829	1	ROD END KIT-SQUEEGEE	

Part Notes:

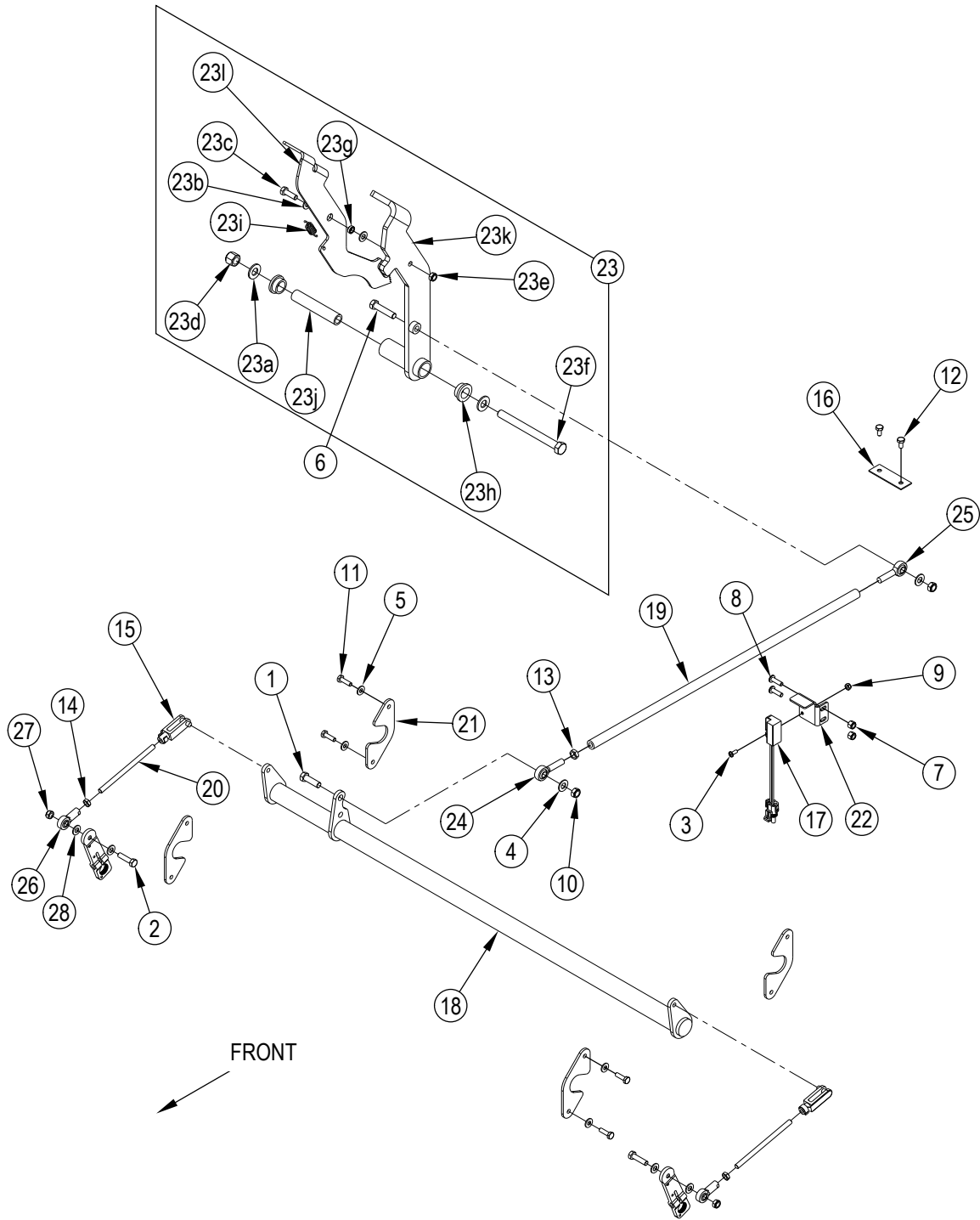
- [1] - K1
- [2] - K1,K2
- [3] - K2
Squeegee Lift Arm 56394645 and 7 Lug Traction Drive Gearbox and Drive Wheel used on machines after serial number 1000073660
- [4] - K2
- [5] - (includes Red Gum Rubber Blades)
- [6] - K1,K3
- [7] - K1,K5
- [8] - K1,K4
- [9] - K5
- [10] - K4
- [11] - Squeegee Lift Arm 56394645 and 7 Lug Traction Drive Gearbox and Drive Wheel used on machines after serial number 1000073660
- [12] - M16



Pos.	Artikelnummer	Hoeveelheid	Omschrijving	Notes
1		8	Wsh-Flt Sae 1/2	[1]
2		2	Wsh, Flt Sae 5/16	[2]
3		2	Nut, Hex Nyl Loc-Thin 5/16-18	[2]
4		2	Scr-Hex 5/16-18 X 3.50	[3]
5		5	Nut Lug M14x1.5	[4]
6		6	Scr, Hex Loc M12-1.75 X 30mm	[1]
7		8	Scr, Hex Loc 1/2-20 X 1.50 Grade 8	[1]
8	56383402	2	WIEL-VORM-ON 16.2X4	
8a	56509532	1	BEARING-WHEEL	
8b	56509533	1	RING-SNAP	
9	56509157	1	Aandrijf wiel 310X140 CS 7000	[5]
10	56394447	1	TRACTIE AANDRIJVING VERSNELLINGSBAK KIT	[6]
11	56509664	2	BRAKE SPINDLE ASSEMBLY	
12		1	Shield-Splash	[7]
13		1	Brake Linkage Assy	
13a	56510762	1	BRAKE SHOE KIT	[8]
14	2-00-02436	2	PIN COTT.188 DIA X 1.75 S	
15	2-00-05026	2	Moer 1/4 slotted	
16	56004012	2	WSH-FLT 18-8 SS-1.062X2X.13	
17	8-11-00030	2	Cap	
18	56003325	2	SCR HEX HD 5/16-18 X 3.75	[9]
19		7	Nut Lug M14x1.5	[10]
20	56394536	1	WHEEL-DRIVE 310X140-7 LUG	[11]
21	56394535	1		[12]
			Service Kits	
K1	56511880	1	HARDWARE KIT-WHEEL SYS	
K2	56510825	1	RING/PINION GEAR KIT-STEERING	[13]
K3	56510738	1	LUG NUT KIT	
K4	56510737	1	MOTOR KIT-DRIVE	
K5	56394633	1		

Part Notes:

- [1] - K1,K5
- [2] - K1,K4,K5
- [3] - K1,K4
- [4] - K1,K3
- [5] - # 5 Lug Traction Drive Gearbox and Drive Wheel used on machines before serial number 1000073661. Revised or new since last update
TSB-FC-2023-001 CS7010 gearbox
- [6] - # 5 Lug Traction Drive Gearbox and Drive Wheel used on machines before serial number 1000073661. Revised or new since last update
TSB-FC-2023-001 CS7010 gearbox
- K2
- [7] - K4
- [8] - for 56509664 contains 4 brake shoes
- [9] - GUARANTEE DATE EXPIRED
K5
7 Lug Traction Drive Gearbox and Drive Wheel used on machines after serial number 1000073660. Revised or new since last update
- [10] - K5
7 Lug Traction Drive Gearbox and Drive Wheel used on machines after serial number 1000073660. Revised or new since last update
- [11] - # 7 Lug Traction Drive Gearbox and Drive Wheel used on machines after serial number 1000073660. Revised or new since last update
- [12] - K2
7 Lug Traction Drive Gearbox and Drive Wheel used on machines after serial number 1000073660. Revised or new since last update
- [13] - for 56509195. Revised or new since last update



Wheel System-Brake Linkage Assembly

CS7010 1200B NIL

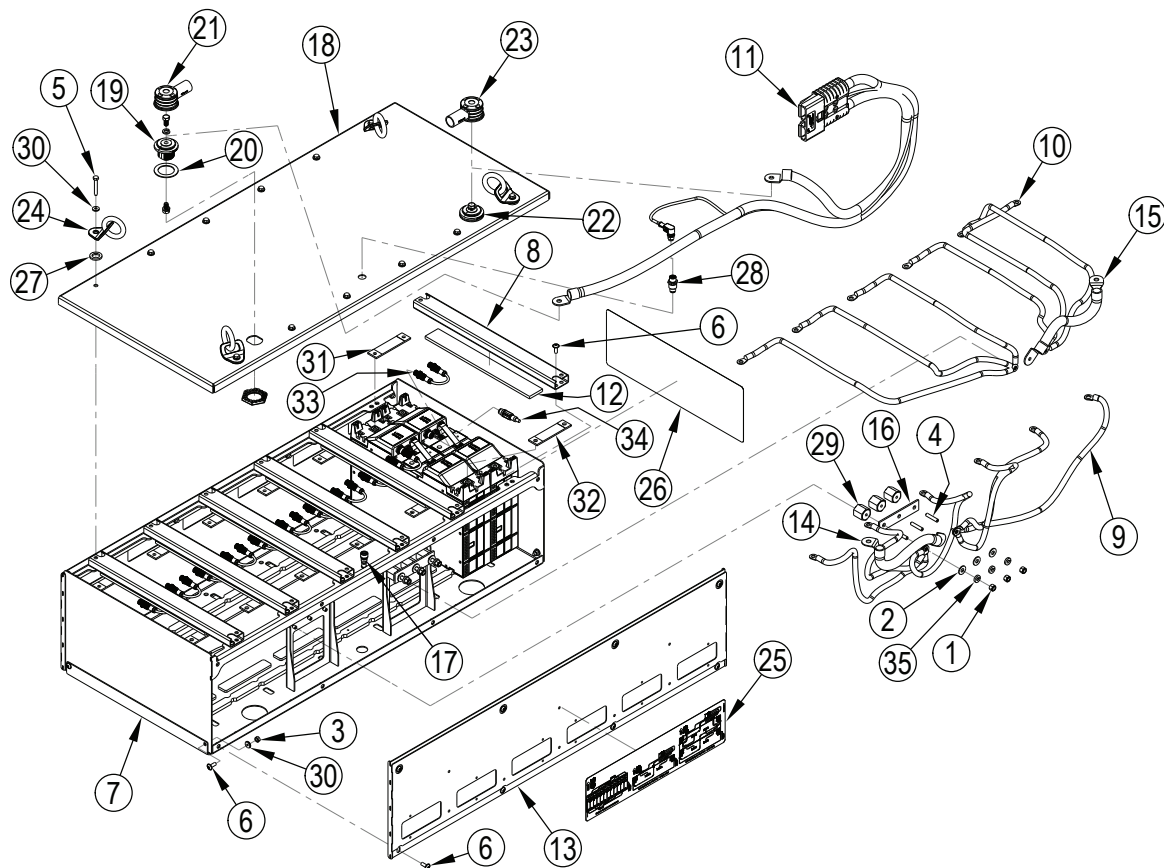
2017.11.02

2020.02.10

Pos.	Artikelnummer	Hoeveelheid	Omschrijving	Notes
1		1	Scr, Hex 3/8-16 X 1.25	[1]
2		2	Scr Hex 5/16-18 X 1.25	[1]
3		1	Scr-Pan Phil 10-24 X .50	[1]
4		2	Wsh, Flt SAE 3/8	[2]
5		4	Wsh, Flt SAE 1/4	[1]
6		1	Scr, Hex 3/8-16 X 1.75	[2]
7		2	Nut, Hex Nyl Loc 1/4-20	[1]
8		2	Scr-Pan Phil 1/4-20 X .88	[1]
9		1	Nut, Hex Nyl Loc-Thin 10-24	[1]
10		2	Nut, Hex Nyl Loc-Thin 3/8-16	[2]
11		4	Scr,Hex Hd Loc 1/4-20x.88	[1]
12		2	Scr, Hex Thd Form 1/4-20 X .50	[2]
13		1	Nut, Hex Jam 3/8-24	[1]
14		2	Nut Hex Jam 5/16-24	[1]
15	56416089	2	CLEVIS ASSEMBLY	
16	56304543	1	CATCH BRAKE LOCK	[3]
17	56511830	1	SENSOR-PROXIMITY	
18	56509365	1	WELDT-BRAKE BAR	
19	56509368	1	ROD-BRAKE	
20	56509369	2	ROD-BRAKE	
21	56509370	4	PIVOT-BRAKE	
22	56511139	1	BRACKET-SWITCH MOUNT	
23		1	Brake Pedal Assy	[3]
23a		2	Wsh-Flt SAE 1/2	[3]
23b		2	Wsh, Flt SAE 5/16	[3]
23c		1	Scr, Hex 5/16-18 X 1.00	[3]
23d		1	Nut-Hex Nyl Loc 1/2-13	[3]
23e		1	Nut, Hex Nyl Loc-Thin 5/16-18	[3]
23f		1	Scr, Hex 1/2-13 X 5.50	[3]
23g		1	Bushing .323 X .500 X .180	[3]
23h		2	Bearing, Fl 1.000x.750x.500	[3]
23i		1	Spring, Extension	[3]
23j		1	Bushing-.520 X .750 X 3.995	[3]
23k		1	Brake Pedal Weldt	[3]
23l		1	Pedal-Park Brake	[3]
24	2-00-06016	1	ROD END 3/8-24 RH	
25	2-00-06017	1	ROD END 3/8-24 LH THREAD	
26	56418478	2	ROD END .31	
27		2	Nut Hex Nyl Loc-Thin 5/16-18	[1]
28		4	Wsh Flt SAE 5/16	[1]
			Service Kits	
K1	56510786	1	BRAKE PEDAL KIT	
K2	56510785	1	HARDWARE KIT-BRAKE LINKAGE	

Part Notes:

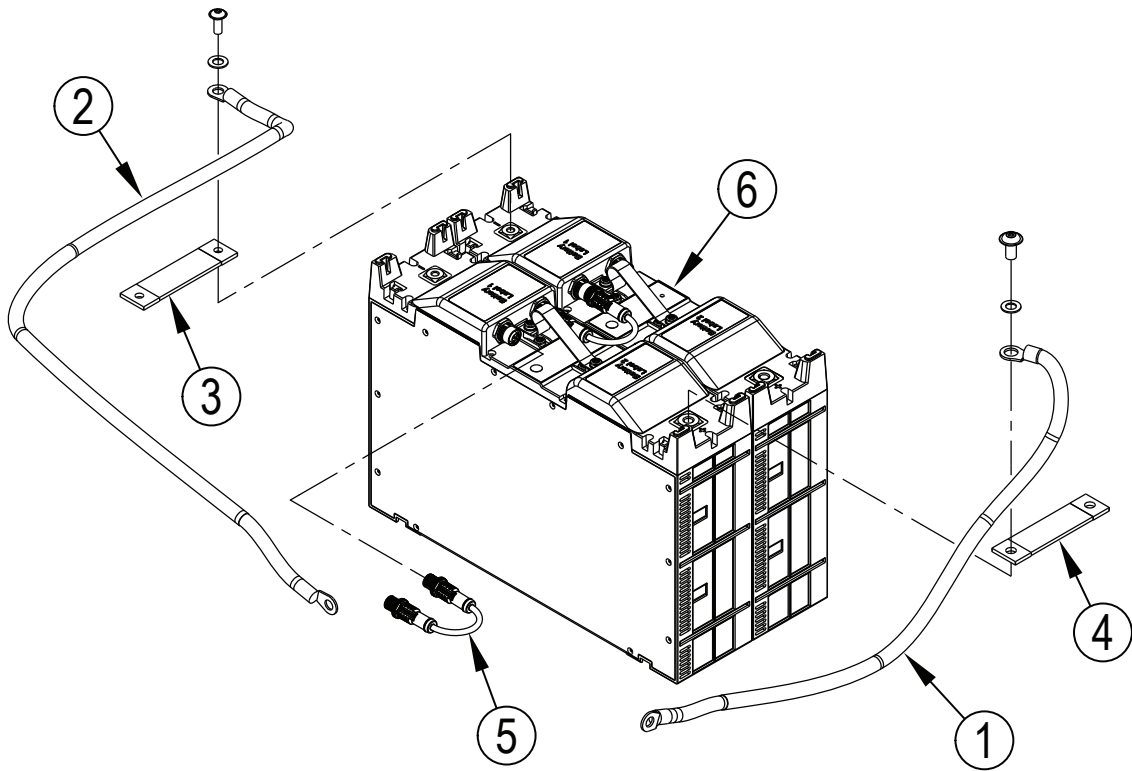
- [1] - K2
- [2] - K1,K2
- [3] - K1



Pos.	Artikelnummer	Hoeveelheid	Omschrijving	Notes
			Instruction sheet 56090526	[1]
1		6	Nut-Hex Nyl Loc SS 1/4-20	
2		6	Wsh, Flt Std SS 1/4	
3		4	Nut-Hex M6-1	
4		6	Scr, Soc Set Loc 1/4-20 X 1.25 Zinc Plated	
5		12	Scr-Hex SS M6-1 X 40mm	
6		32	Scr Trx M6 X 16 W/Thd Lck Blk	
7	56125044	1	BATTERY BOX BASE WELDMENT	
8	56125048	6	SPACER-BATTERY BOX	
9	56125050	6	CABLE ASSY-4 GA-BATT-POS	
10	56125051	6	CABLE ASSY-4 GA-BATT-NEG	
11	56125052	1	CABLE-CONTROL/POWER-BATT	
12	56125056	6	FOAM-VIBRATION-305X38MM	
13	56125061	2	COVER WELDMENT-BATTERY BOX	
14	56125079	1	CABLE-4/0-POS	
15	56125080	1	CABLE-4/0-NEG	
16	56125099	2	BUSBAR-TRIPLE	
17	56125111	1	CABLE-CONTROL-M12 5 PIN M/F-1M	
18	56125155	1	TOP COVER-BATTERY BOX	
19	56125156	1	FEEDTHROUGH TERM-750 AMP-RED	
20	56125157	2	GASKET-FEEDTHROUGH TERM-750A	
21	56125158	1	BOOT-FEEDTHROUGH TERM-750A-RED	
22	56125159	1	FEEDTHROUGH TERM-750 AMP-BLACK	
23	56125160	1	BOOT-FEEDTHROUGH TERM-750A-BLK	
24	56125180	4	BRACKET-LIFT HOOK	
25		1	Decal-CS7010 Li Ion Wiring	
26		1	Decal-Serial Number-CS7010	
27		4	Washer-Rubber	
28	56394842	1		
29	56469858	6	ELECTRICAL MOUNT	
30	56900737	16	Ring	
31	106445007	6	BRAIDED CABLE M6	[2]
32	106445008	6	BRAIDED CABLE M8	[2]
33	106445009	11	CONTROL CABLE, NEIGHBOUR MODULES 156 MM	[2]
34	106470002	1	TERMINATION RESISTOR	
35		6	Lk Wash Hel..25 Scr Med Sec S/S	

Part Notes:

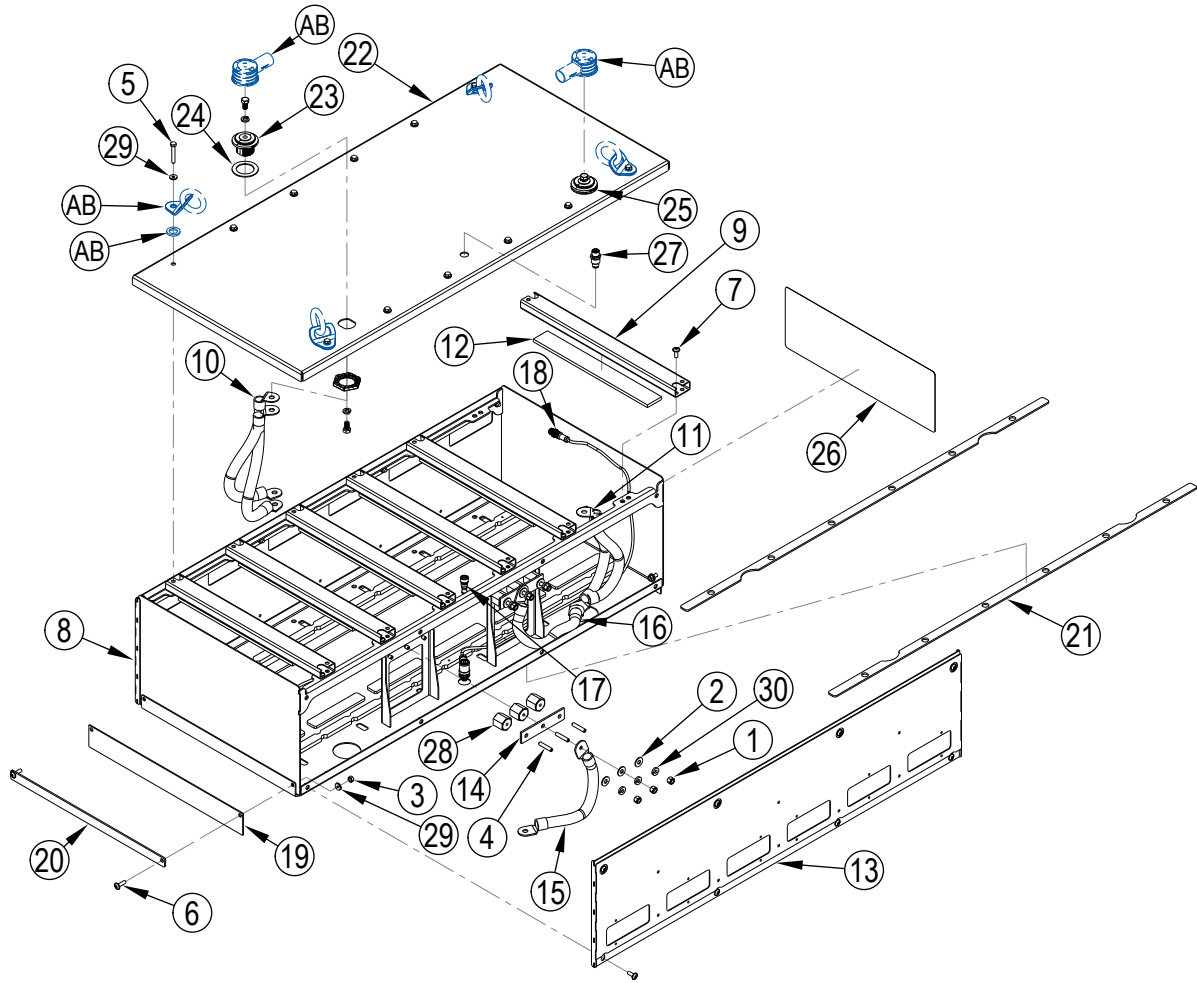
- [1] - IS56090526_56125001 LITHIUM-ION BASE KIT-CS7010
 [2] - NEVER LAUNCHED



Pos.	Artikelnummer	Hoeveelheid	Omschrijving	Notes
			Instruction sheet 56090527	[1]
1	56125050	1	CABLE ASSY-4 GA-BATT-POS	
2	56125051	1	CABLE ASSY-4 GA-BATT-NEG	
3	106445007	1	BRAIDED CABLE M6	[2]
4	106445008	1	BRAIDED CABLE M8	[2]
5	106445009	2	CONTROL CABLE, NEIGHBOUR MODULES 156 MM	[2]
6	106479001	2	BATTERY PACK 36 VOLT 10S14P	

Part Notes:

- [1] - IS56090527_56125002 LI ION MODULE KIT-2X-CS7010
- [2] - NEVER LAUNCHED



Pos.	Artikelnummer	Hoeveelheid	Omschrijving	Notes
			Instruction sheet 56090528	[1]
1	56002491	6	Moer	
2	56002914	6	WSH FLT STD SS 1/4	
3	56003350	4	Moer M6	
4	56003782	6	SCR SOC SET LOC 1/4-20X1.25 ZP	
5	56003935	12	SCR-HEX SS M6-1 X 40MM	
6	56004101	4	SCR TRX M6X20 W/THD LCK BLK	
7	56004157	28	SCR TRX M6X16 W/THD LCK BLK	
8	56125044	1	BATTERY BOX BASE WELDMENT	
9	56125048	6	SPACER-BATTERY BOX	
10	56125054	2	CABLE ASSY-BUSBAR JUMPER-POS	
11	56125055	2	CABLE ASSY-BUSBAR JUMPER-NEG	
12	56125056	6	FOAM-VIBRATION-305X38MM	
13	56125061	2	COVER WELDMENT-BATTERY BOX	
14	56125099	2	BUSBAR-TRIPLE	
15	56125104	1	CABLE ASSY-4/0 JUMPER-POS	
16	56125105	1	CABLE ASSY-4/0 JUMPER-NEG	
17	56125111	1	CABLE-CONTROL-M12 5 PIN M/F-1M	
18	56125112	1	CABLE-CONTROL-M12 5 PIN M/M-1M	
19	56125116	2	GUARD-SPLASH-BATTERY BOX	
20	56125117	2	RETAINER-SPLASH GUARD	
21	56125118	2	GASKET-BATTERY BOX SPACER	
22	56125155	1	TOP COVER-BATTERY BOX	
23	56125156	1	FEEDTHROUGH TERM-750 AMP-RED	
24	56125157	2	GASKET-FEEDTHROUGH TERM-750A	
25	56125159	1	FEEDTHROUGH TERM-750 AMP-BLACK	
26	56125229	1	DECAL-SERIAL NUMBER-CS7010	
27	56394842	1		
28	56469858	6	ELECTRICAL MOUNT	
29	56900737	16	Ring	
30	2-00-04687	6	Lockwasher helical .25scr med	
AB			Parts reused from Lithium Ion Base Kit	

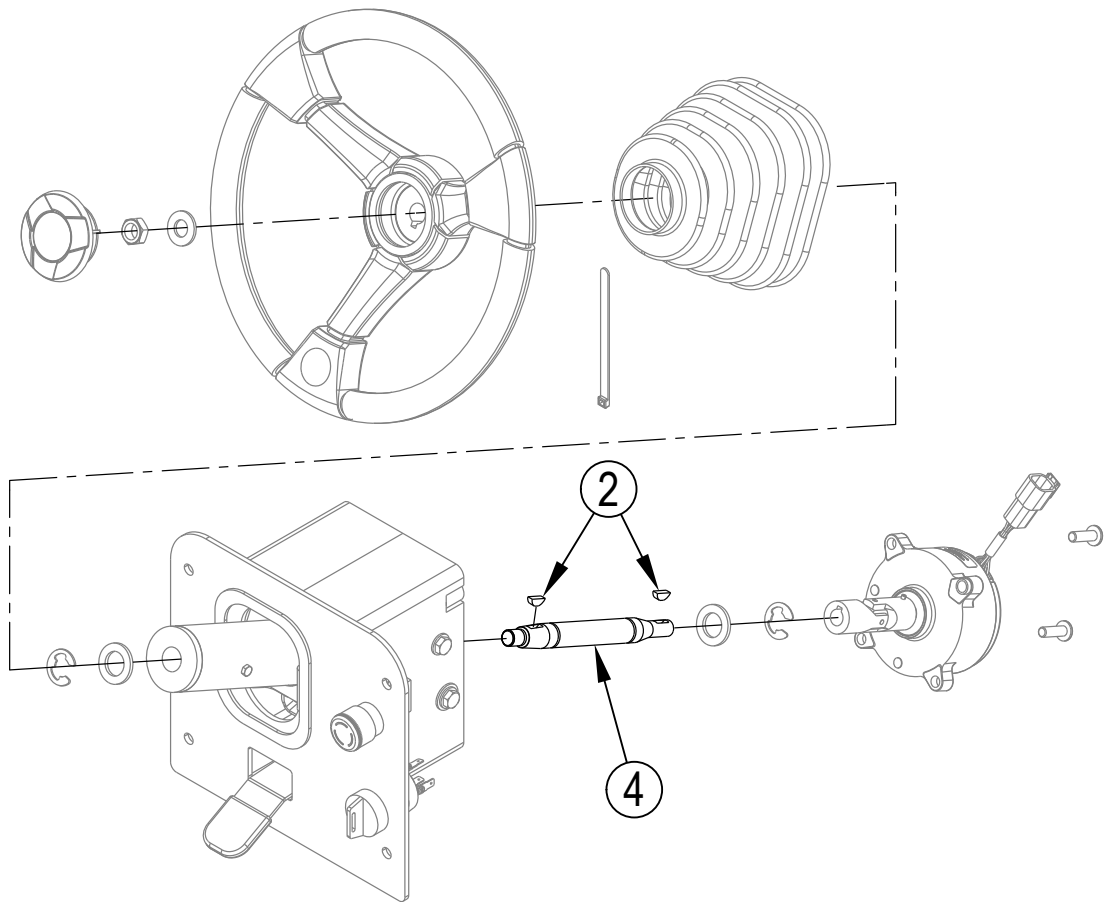
Part Notes:

[1] - IS56090528_56125003 LITHIUM ION EXP KIT-CS7010

Pos.	Artikelnummer	Hoeveelheid	Omschrijving	Notes
	56385366	1	MOTOR BRUSH KIT	[1]
	56384496	1	MOTOR REPAIR KIT	
	56422152	1	KIT WHEEL DRIVE BRUSHES	
	56384588	1	COVER-MOTOR FAN	
	56385097	1	FAN-MOTOR	[2]

Part Notes:

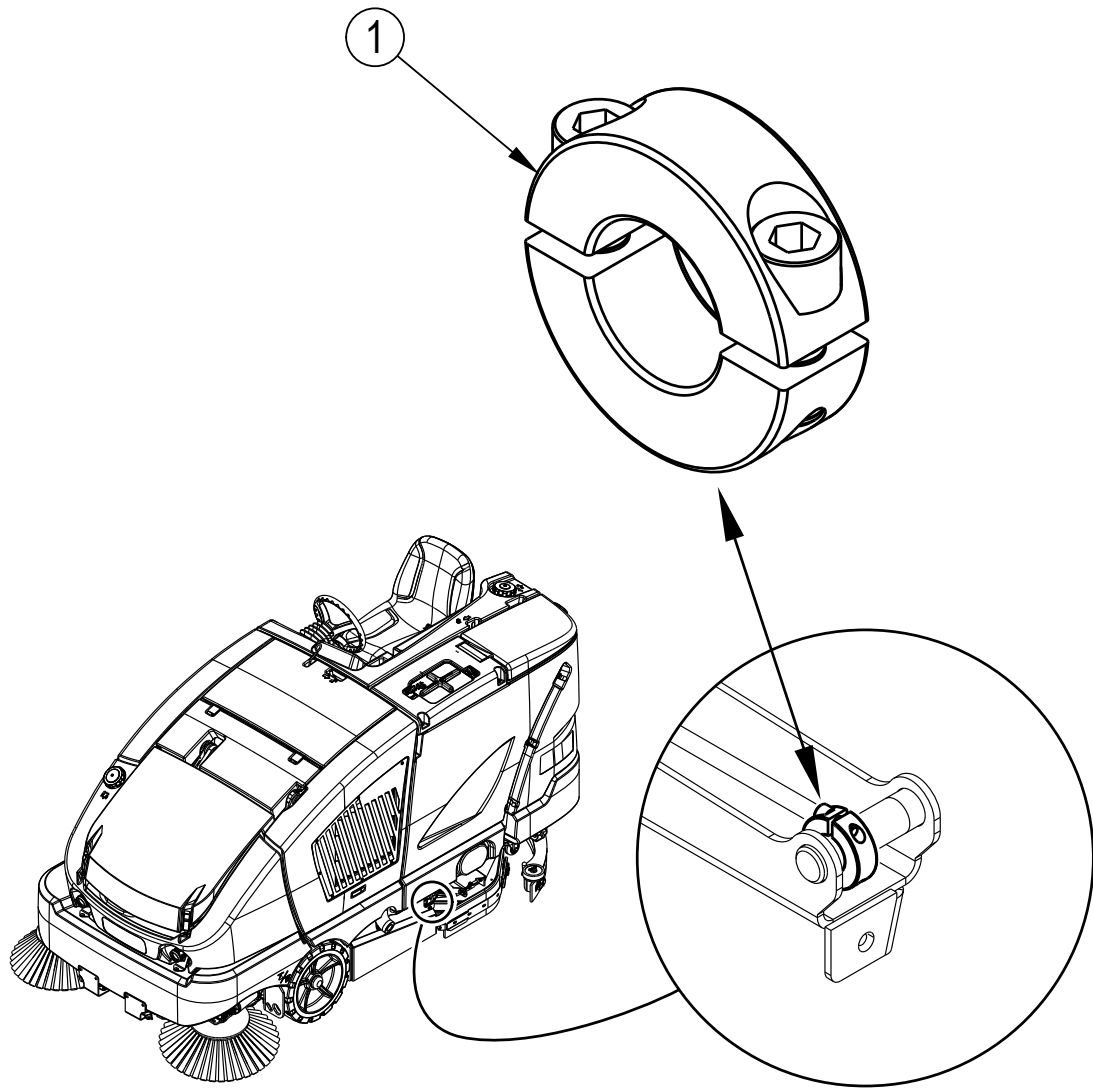
- [1] - IS56090343 - REPLACING MAIN BROOM MOTOR CARBON BRUSHES
- [2] - EXPIRED ON 3/18/2020



Pos.	Artikelnummer	Hoeveelheid	Omschrijving	Notes
	56385433	1	STEERING SHAFT KIT-W/O BUSHING	[1]
2		2	Key, WDF .62 X .19	
4		1	Shaft-Steering	

Part Notes:

- [1] - TSB-FC-2018-002 CS7010 Loss of Steering
DE TSB-FC-2018-002 CS7010 Lenkung dreht leer durch - keine Lenkfunktion

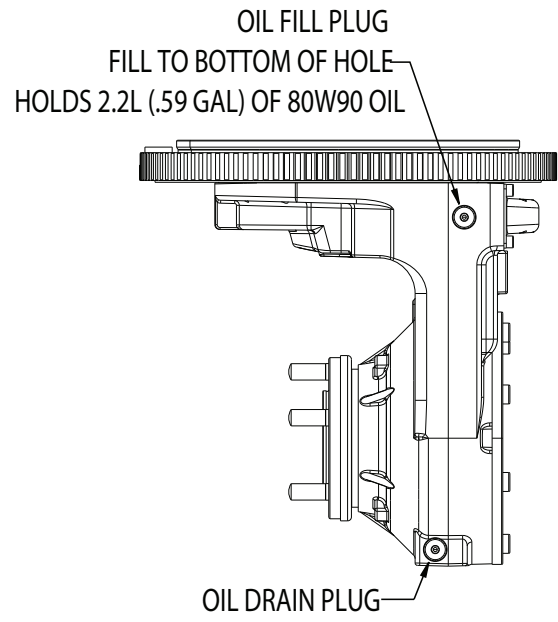
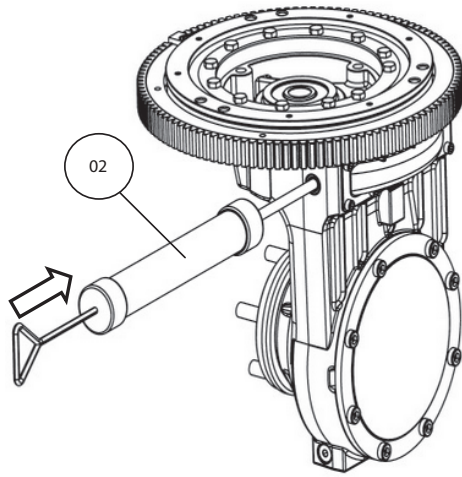


Pos.	Artikelnummer	Hoeveelheid	Omschrijving	Notes
	56394069	1	CLAMP COLLAR KIT-2 PIECE	[1]
1		1	Collar-Clamp-2 Piece	

Part Notes:

- [1] - TSB-FC-2019-007 CS7000_CS7010 Exhaust Heat Shield Interference Rev B
DE TSB-FC-2019-007 CS7000 CS7010 Neuer Abstandhalter für Schmutzwassertank Rev B

FIGURE 1



56394447 GEARBOX REPLACEMENT KIT

CS7010 1200B NIL

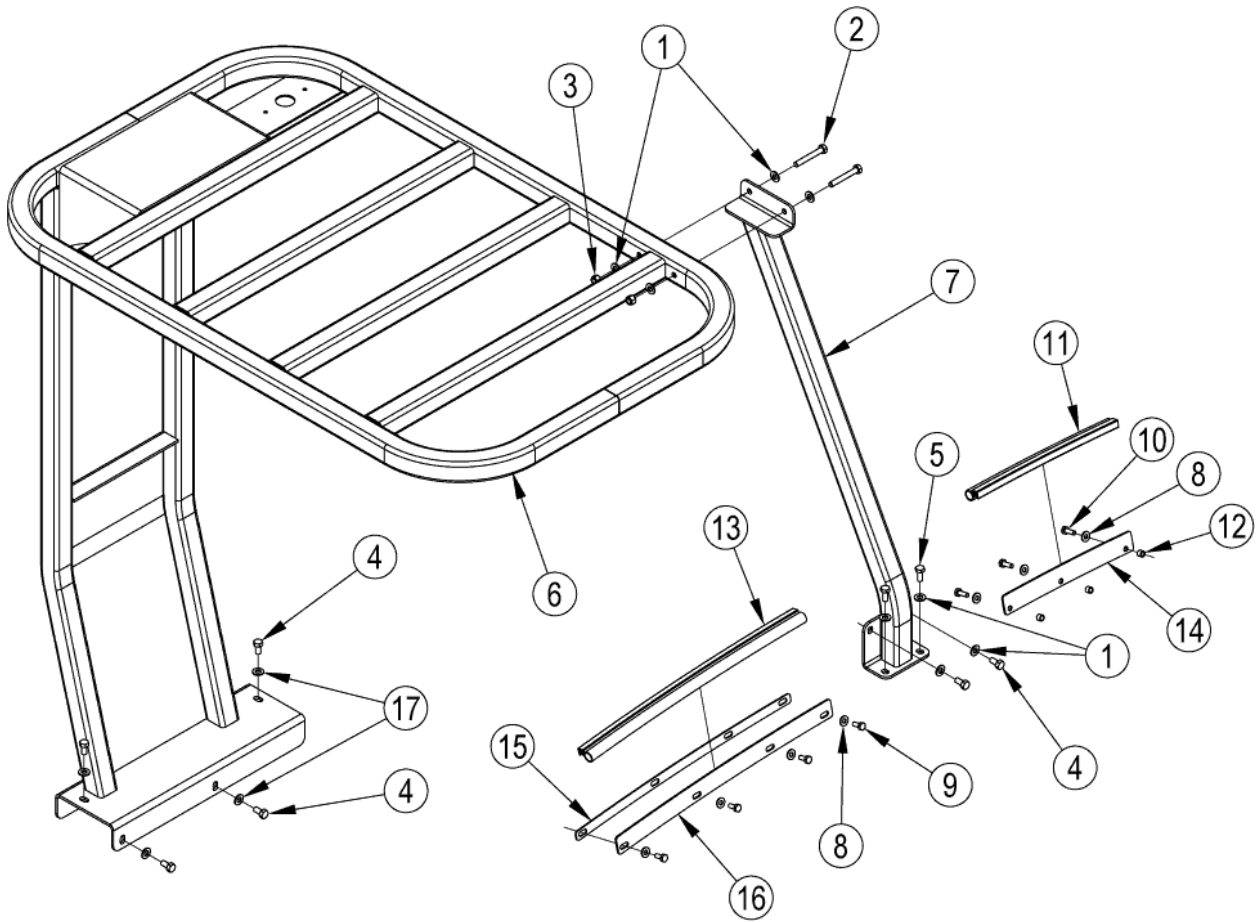
2019.07.01

2019.07.01

Pos.	Artikelnummer	Hoeveelheid	Omschrijving	Notes
	56394447	1	TRACTIE AANDRIJVING VERSNELLINGSBAK KIT	[1]
1		1	Gearbox-Traction Drive	

Part Notes:

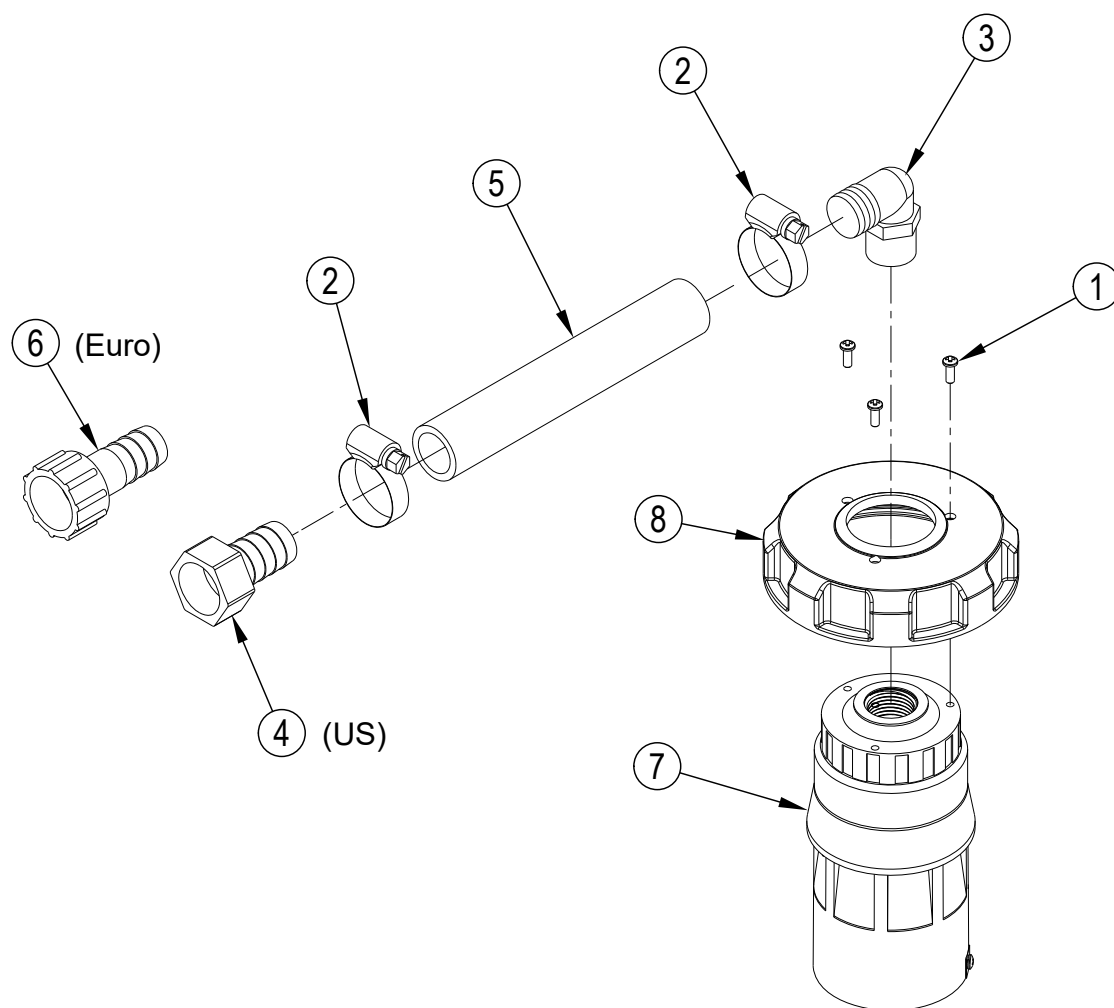
- [1] - IS56090393_56394447 GEARBOX REPLACEMENT KIT
TSB-FC-2023-001 CS7010 gearbox



Pos.	Artikelnummer	Hoeveelheid	Omschrijving	Notes
00	56509975	1	CHAUFFEURSBESCHERMING (LAAG)	
	56510399	1	CHAUFFEURSBESCHERMING (STD)	
1	56001939	12	Ring	
2	56002420	2	SCR HEX 5/16-18 X 2.25	
3	56002701	2	Moer	
4	56002929	6	Schroef	
5	56002956	2	SCR HEX LOC 5/16-18 X .75	
6	56509970	1	WELDMENT-OHG LOW	[1]
6	56510400	1	OHG WELDMENT-HIGH	[2]
7	56509974	1	WELDMENT-OHG SUPPORT LOW	[1]
7	56510401	1	OHG SUPPORT WELDT-H	[2]
8	56002098	7	Ring 1/4	
9	56002922	4	Schroef Hex Loc 1/4 20x.62	
10	56002948	3	SCR HEX LOC-1/4-20 X 0.75	
11	56419216	1	SEAL BUBBLE	
12	56453849	3	BUSHING .26X.37X.28	
13	56510591	1	BULB SEAL	
14	56510608	1	PLATE-SEAL	
15	56510609	1	PLATE-SPACER	
16	56510610	1	PLATE-SEAL	
17	56009122	4	Sluitring	

Part Notes:

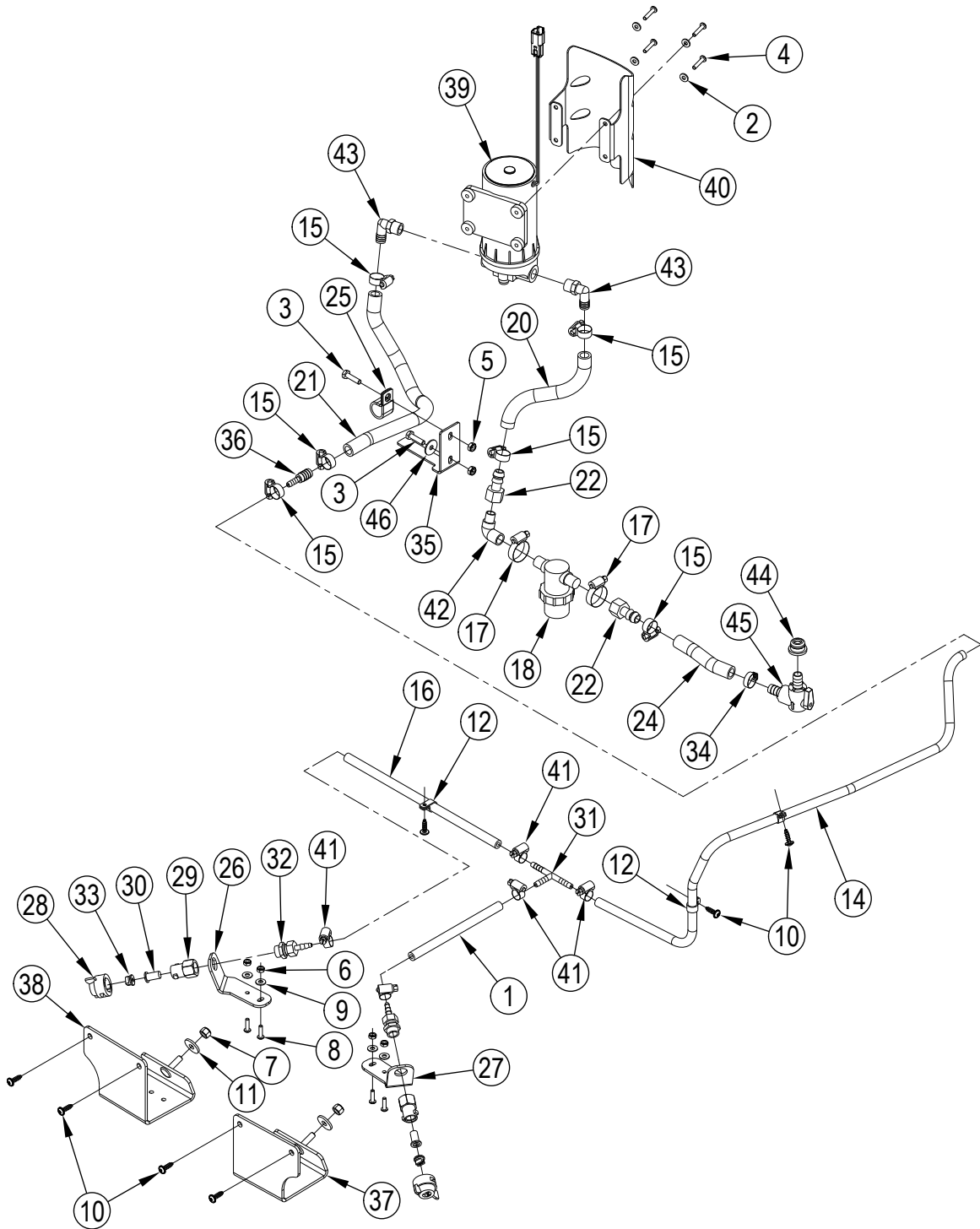
- [1] - (used in kit 56509975)
 [2] - (used in kit 56510399)



Pos.	Artikelnummer	Hoeveelheid	Omschrijving	Notes
00	56510424	1	AFSLAG BIJ VULLEN SCHOONWATERTANK	
1	56009129	3	SCR PAN PHIL TYPE B 6X.38	[1]
2	56244969	2	Slang klem SAE	
3	56244985	1	BARB 3/4X1/2X90 NYLFC433M	
4	56305599	1	FITTING GH TO BARB	[2]
5	56305762	1	hose spiral	
6	56305835	1	BARB FEMALE SWIV3/4-14GASX19MM	[3]
7	56385353	1		[4]
7	56385353	1		[5]
8	56509984	1	CAP-AUTO FILL	

Part Notes:

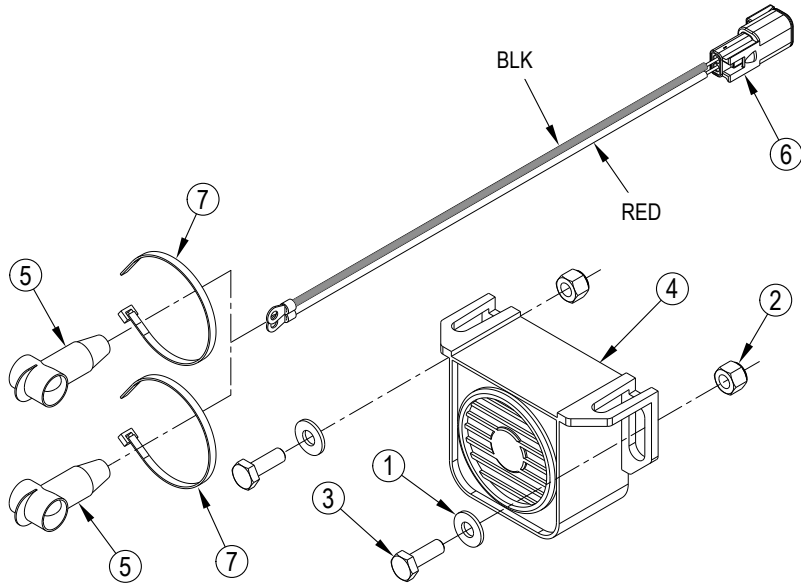
- [1] - GUARANTEE DATE EXPIRED
- [2] - USA
- [3] - EU
- [4] - (CS7000 with Diverter Skirt)
- [5] - (CS7010 Remove Diverter Skirt)



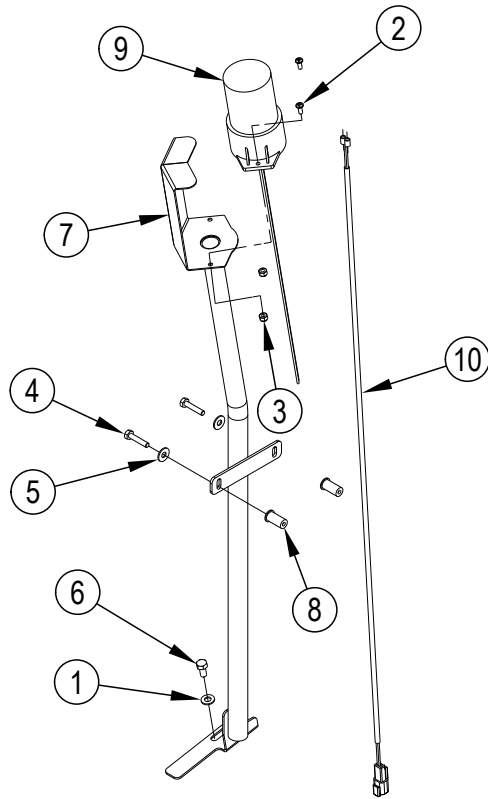
Pos.	Artikelnummer	Hoeveelheid	Omschrijving	Notes
1		1	7.00" Hose	[1]
2		4	Wsh, Flt Sae #10	[2]
3		2	Scr Hex 1/4-20 X 1.00	
4		4	Scr-Pan Phil 10-24 X 1.00	[2]
5		2	Nut, Hex Nyl Loc-Thin 1/4-20	
6		4	Nut, Hex Nyl Loc-Thin Ss 10-24	[3]
7	56002856	2	Moer	
8		4	Scr, Pan Phil Ss 10-24 X .75	[3]
9		4	Wsh, Flt Std Ss #10	[3]
10	56004060	7	SCR-TORX FLG HD-PT-SS-M6X20	[1]
11	56009382	2	WSH-FLT SS .344 X 1.000 X .109	
12		3	Clamp-P	[1]
14		1	Hose-Braided .25 X 35.0	[1]
15	56219932	6	Klem slang	[1]
16		1	Solution Feed Hose	[1]
17		2	Clamp- Hose Sae #12	[4]
18		1	Strainer	[4]
20	56263571	1	HOSE SPIRAL .500 X 8 LENGTH	
21	56409462	1	Slang	
22	56397145	2	Barb hose female	[4]
24	56412276	1	HOSE SOLUTION E00604	
25	56496276	1	CLAMP HOSE SUPPORT	
26		1	Bracket, Nozzle	[5]
27		1	Bracket, Nozzle	[6]
28		2	Cap, Nozzle	[3]
29		2	Adapter, Nozzle	[3]
30	56507916	2	STRAINER CHECK VALVE 5 PSI	[3]
31		1	Tee,1/4 Id Hose, Barb	[1]
32		2	Adaptor Nozzle	[3]
33		2	Nozzle, Spray (.033)	[3]
34	56508517	1	CLAMP OEITKER	
35		1	Bracket-Solenoid Valve Mtg	
36		1	Reducer-Barb 1/2-1/4	[1]
37	56107703	1	MIST BRACKET WELDT	
38	56107704	1	MIST BRACKET WELDT	
39		1	Pump-36vdc	[2]
40		1	Guard-Pump	[2]
41		5	Clamp- Hose Sae #4	
42		1	Elbow, 90 Street	
43		2	Barb, 90 Elbow 1/2 X 3/8npt	[2]
44	909 5286 000	1	Dichtring	
45	9100000803	1	Waterkraan haaks	
46	56009002	1	Ring plat 266x906x060	
			Kit	
K1	56510742	1	Nozzle kit rechts	
K2	56510743	1	Nozzle kit links	
K3	56510744	1	HOSE KIT-DUST GUARD	
K4	56510745	1	STRAINER KIT-DUST GUARD	
K6	56511846	1	PUMP KIT-DUST GUARD	

Part Notes:

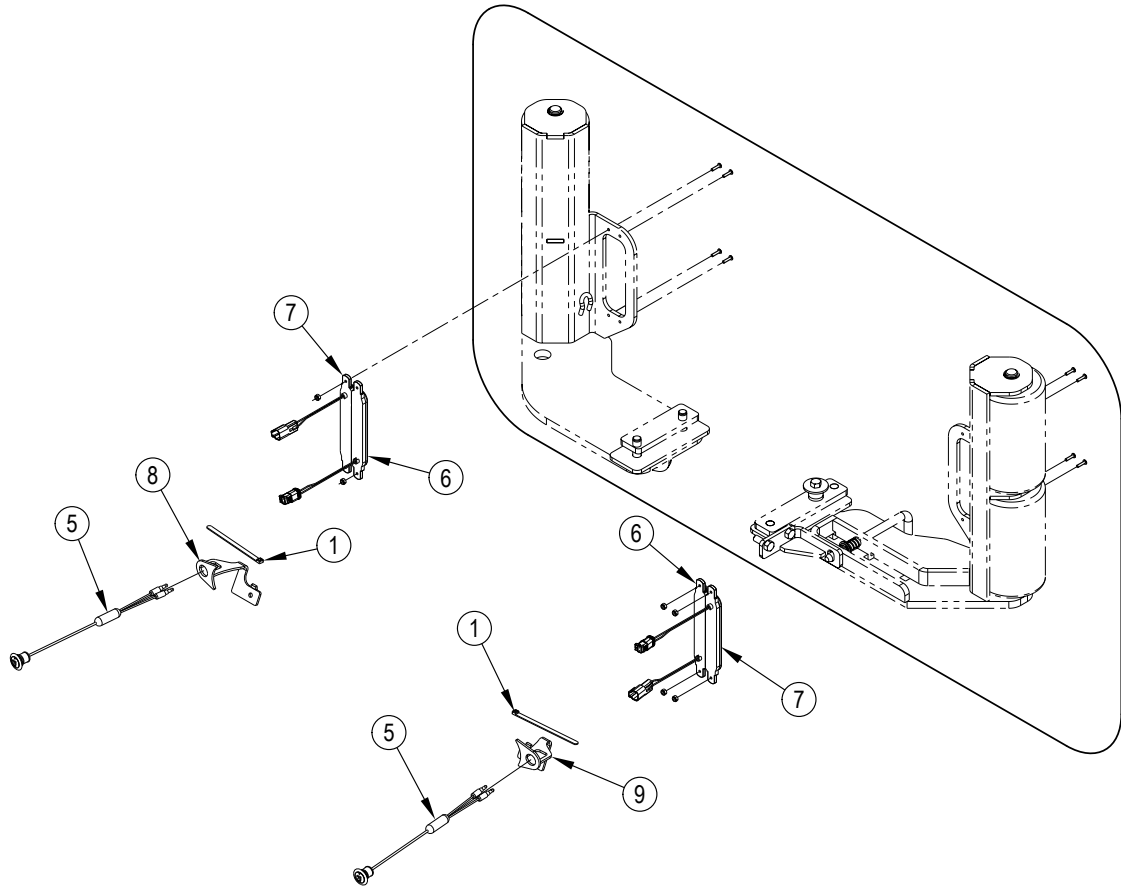
- [1] - K3
- [2] - K6
- [3] - K1,K2
- [4] - K4
- [5] - K1
- [6] - K2



Pos.	Artikelnummer	Hoeveelheid	Omschrijving	Notes
	56511843	1	BACK-UP ALARM KIT	
1	56002098	2	Ring 1/4	
2	56002708	2	Borgmoer nylon	
3	56009018	2	Schroef	
4	56409232	1	Chauffeurbeveiliging	
5	56409538	2	TERMINAL INSULATOR	
6	56511842	1	CONNTECTOR ASSEMBLY	
7	56478246	1	Kabel bEn	



Pos.	Artikelnummer	Hoeveelheid	Omschrijving	Notes
	56511851	1	WARNING BEACON KIT	
1	56001939	1	Ring	
2	56001993	2	SCR PAN HD PHIL 10-24 X .	
3	56002768	2	NUT HEX LOC 10 24	
4	56002897	2	SCR HEX SS 1/4-20 X 1.25	
5	56002914	2	WSH FLT STD SS 1/4	
6	56002929	1	Schroef	
7	56510427	1	TUBE WELDMENT	
8	56510573	2	Moer	
9	56510893	1	BEACON-WARNING LED	
10	56511849	1	HARNES-BEACON	



Pos.	Artikelnummer	Hoeveelheid	Omschrijving	Notes
	56511858	1	BRAKE LIGHT W/TURN SIGNAL-KIT	
1		18	Ty-Rap Thomas+Betts-Ty-28m	
2	56511643	1	HARNESS-TAIL LIGHT	
5	56509559	2	LIGHT-TURN SIGNAL	
6	56511856	2	LIGHT-RED-12V-4 LED	
7	56511857	2	LIGHT-RED-12V-8 LED	
8		1	Right Turn Signal Weldt	
9		1	Left Turn Signal Weldt	
K1	56510917	1	HARDWARE KIT	
	56394124		REAR ROLLER KIT-LEFT AND RIGHT	[1]

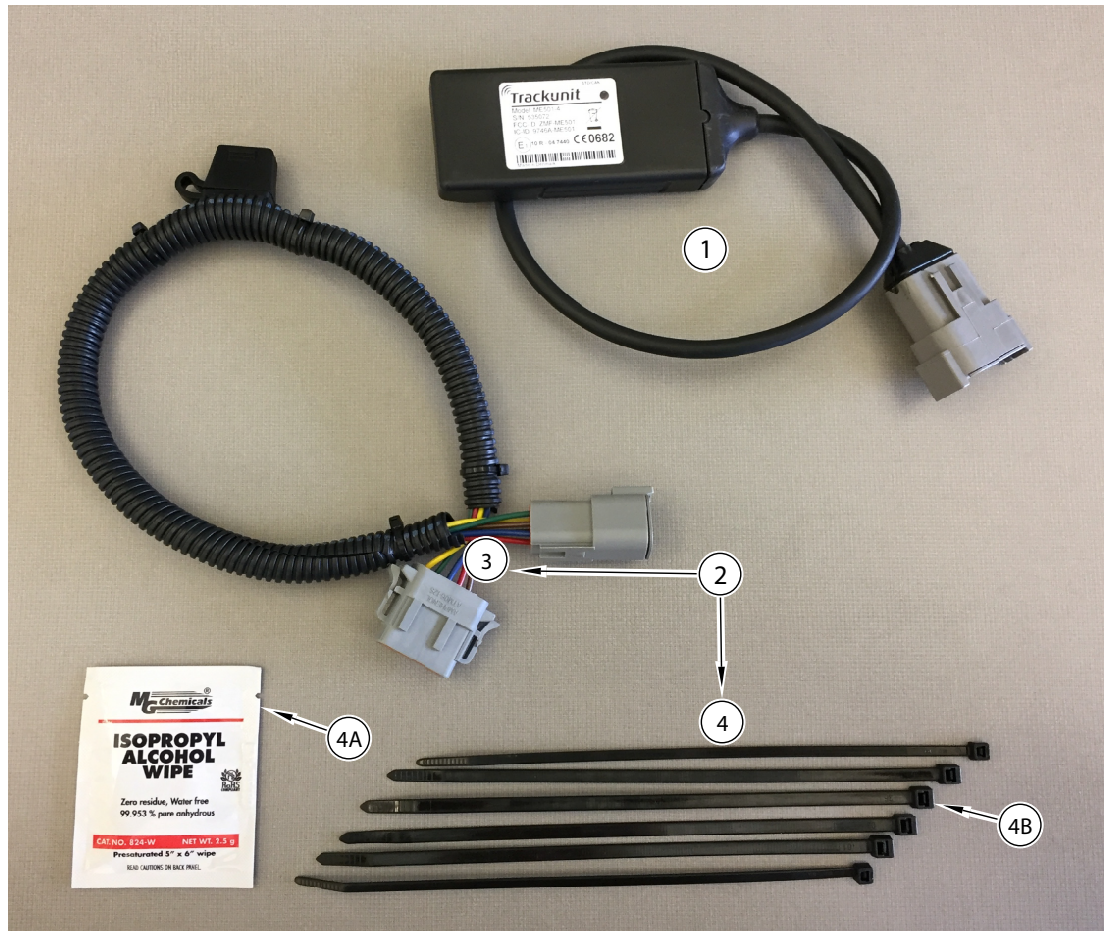
Part Notes:

- [1] - is installed on the machine to provide the installation location for the Brake/Tail Lights that are part of this kit.

Pos.	Artikelnummer	Hoeveelheid	Omschrijving	Notes
	56511871	1	TRKCLN CS7010 KIT-RDR	[1]
1		1	Module – TrackClean STD/CAN - (module, bracket)	
2		1	TrackClean System (with reader)	
3		1	TrackClean Harness (with reader)	
4		1	Hardware Kit	
4A		1	Alcohol Wipe	
4B		6	Cable Tie, 8", black	
4C		2	Screw, Pan Phil Thd Form 8-32 x .38	
5		1	TrackClean Reader kit (reader, 2 user keys)	

Part Notes:

[1] - TRACKCLEAN MODULES V1 PRUNED



Pos.	Artikelnummer	Hoeveelheid	Omschrijving	Notes
	56511872	1	TRKCLN CS7010 KIT	[1]
1		1	Module – TrackClean STD/CAN - (module, bracket)	
2		1	TrackClean System (without reader)	
3		1	TrackClean Harness (without reader)	
4		1	Hardware Kit	
4A		1	Alcohol Wipe	
4B		6	Cable Tie, 8", black	
NS		2	Screw, Pan Phil Thd Form 8-32 x .38	

Part Notes:

[1] - TRACKCLEAN MODULES V1 PRUNED

56511916 RADIATOR LPG KIT

For CS7000 Models 56509000, 56509003, 56509006, 56509009 / CS7010 Models 56511710, 56511711

56511917 RADIATOR PETROL (GASOLINE) KIT

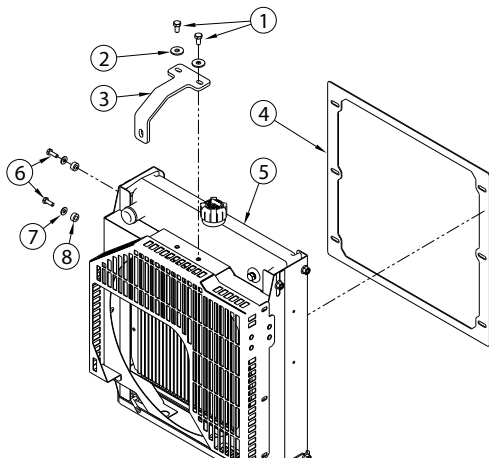
For CS7000 Models 56511001, 56511002 / CS7010 Models 56511813, 56511814

56511918 RADIATOR DIESEL KIT

For CS7000 Models 56509001, 56509004, 56509007 / CS7010 Models 56511712, 56511810

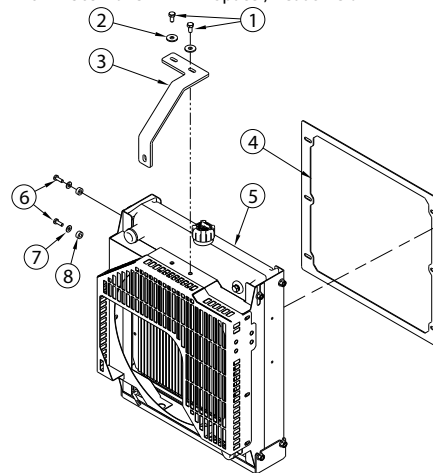
CONTENTS OF KIT 56511916

Item	Ref. No.	Qty	Description
[]	56090333	1	Instruction Sheet
1	56003178	2	Scr-Hex M8-1.25 X 16 mm
2	56003646	2	Wsh, Flt SS 8 mm
3	56511910	1	Bracket-Radiator-LPG
4	56511915	1	Mount-Radiator Seal
5	56511908	1	Radiator LPG/Petrol (Gasoline)
6	56002155	2	Scr-Hex 1/4-20 X .75
7	56002098	2	Wsh, Flt SAE 1/4
8	56511913	2	Spacer, Heat Shield



CONTENTS OF KIT 56511917

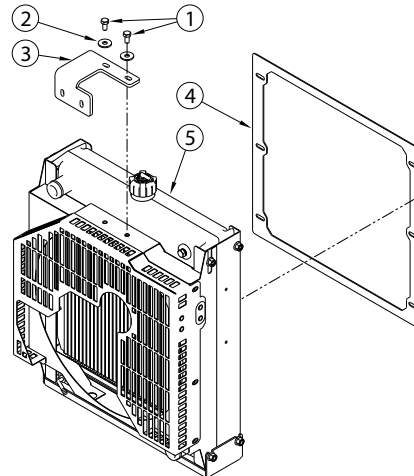
Item	Ref. No.	Qty	Description
[]	56090333	1	Instruction Sheet
1	56003178	2	Scr-Hex M8-1.25 X 16 mm
2	56003646	2	Wsh, Flt SS 8 mm
3	56511911	1	Bracket-Radiator- Petrol (Gasoline)
4	56511915	1	Mount-Radiator Seal
5	56511908	1	Radiator LPG/Petrol (Gasoline)
6	56002155	2	Scr-Hex 1/4-20 X .75
7	56002098	2	Wsh, Flt SAE 1/4
8	56511913	2	Spacer, Heat Shield



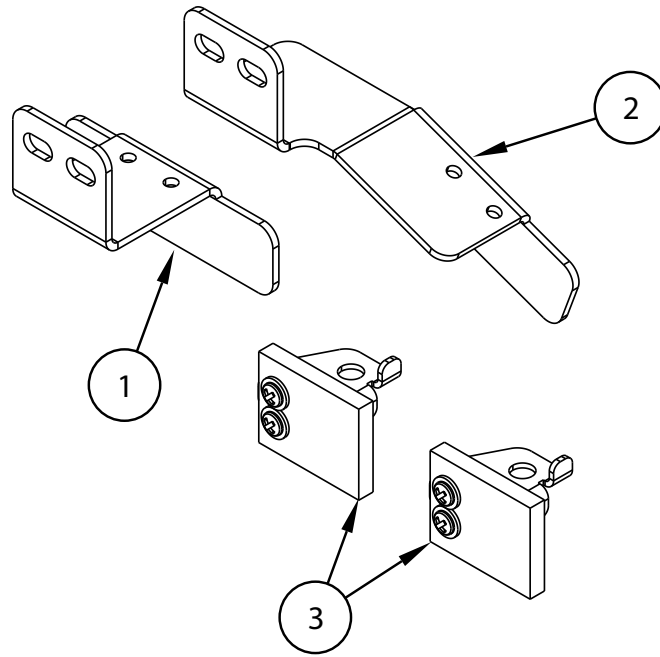
CONTENTS OF KIT 56511918

Item	Ref. No.	Qty	Description
[]	56090333	1	Instruction Sheet
1	56003178	2	Scr-Hex M8-1.25 X 16 mm
2	56003646	2	Wsh, Flt SS 8 mm
3	56511912	1	Bracket-Radiator-Diesel
4	56511915	1	Mount-Radiator Seal
5	56511909	1	Radiator, Diesel

[] = Not Shown



Pos.	Artikelnummer	Hoeveelheid	Omschrijving	Notes
	56511916	1	RADIATOR LPG KIT	
	56511917	1	RADIATOR GAS KIT	
	56511918	1	RADIATOR DIESEL KIT	
1	56003178	2	Bout M8 1,25 x 16 mm	
2	56002938	2	WASHER	
3	56511910	1	BRACKET-RADIATOR-LPG	
3	56511911	1	BRACKET-RADIATOR-GAS	
3	56511912	1	BRACKET-RADIATOR-DIESEL	
4	56511915	1	MOUNT-RADIATOR SEAL	
5	56511908	1	RADIATOR-LPG-GAS	
5	56511909	1	RADIATOR-DIESEL	
6	56002155	2	SCR HEX 1/4-20 X .75	
7	56002098	2	Ring 1/4	
8	56511913	2	SPACER-HEAT SHEILD	



Pos.	Artikelnummer	Hoeveelheid	Omschrijving	Notes
	56511968	1	SENSOR SWEEP KIT	[1]
1		1	Bracket, Sensor-Mount Left	
2		1	Bracket, Sensor-Mount Right	
3		2	Sensor Sweep Assembly	

Part Notes:

[1] - IS56090355 - SENSOR SWEEP KIT 56511968

REPLACING MAIN BROOM MOTOR CARBON BRUSHES

2017.11.02

CS7010 1200B NIL

2017.12.21

Pos.	Artikelnummer	Hoeveelheid	Omschrijving	Notes
	56422152	1	KIT WHEEL DRIVE BRUSHES	
	56384496	1	MOTOR REPAIR KIT	
	56384588	1	COVER-MOTOR FAN	
	56385097	1	FAN-MOTOR	[1]

Part Notes:

[1] - EXPIRED ON 3/18/2020

