

# BATTERY CONNECTORS



SB/SBE/SBX CONNECTORS

## SB/SBE/SBX CONNECTORS



### Nice to know

- Single piece housings of impact resistant polycarbonate offer both high physical strength and superior dielectric properties
- Silver plated solid copper contacts offer low resistance for superior conductivity
- Self-cleaning contact design resists arcing by keeping conductive surfaces clean and free of corrosion
- Contacts have flared and heat treated barrels which readily accept fine stranded wire and allow easy, quality crimping
- Integral stainless steel springs maintain constant pressure on the contact to insure a consistent, low-resistance connection
- Neutral (male = female)

### Voltage color code:

- Mechanical keys molded in connectors will engage only with connectors of same color
- This color code given for various voltages is only a suggestion

Color	Suggested voltage	Color	Suggested voltage
Yellow	12 VDC	Green	72 VDC
Orange	18 VDC	Black	80 VDC
Red	24 VDC	Brown	96 VDC
Grey	36 VDC	Purple	120 VDC
Blue	48 VDC		

## BATTERY CONNECTOR CHART

Type	Wire size			REF	REF	REF	REF	REF	REF	REF	REF	REF
	AWG	Exact mm <sup>2</sup>	European mm <sup>2</sup>	Yellow 12 V	Orange 18 V	Red 24 V	Grey 36 V	Blue 48 V	Green 72 V	Black 80 V	Brown 96 V	Purple 120 V
SB50	#6	13,3	16	<a href="#">100BA4026</a>	<a href="#">100BA4043</a>	<a href="#">100BA4060</a>	<a href="#">100BA4081</a>	<a href="#">100BA4101</a>	<a href="#">100BA4121</a>	<a href="#">100BA4135</a>		
	#10/12	5,3/3,3	6/4	<a href="#">100BA4027</a>	<a href="#">100BA4044</a>	<a href="#">100BA4061</a>	<a href="#">100BA4082</a>	<a href="#">100BA4102</a>	<a href="#">100BA4122</a>	<a href="#">100BA4136</a>		
SB120	#2	33,6	35			<a href="#">100BA4062</a>	<a href="#">100BA4083</a>	<a href="#">100BA4103</a>				
	#4	21,1	25			<a href="#">100BA4063</a>	<a href="#">100BA4084</a>	<a href="#">100BA4104</a>				
	#6	13,3	16			<a href="#">100BA4064</a>	<a href="#">100BA4085</a>	<a href="#">100BA4105</a>				
SB175	1/0	53,5	50	<a href="#">100BA4028</a>	<a href="#">100BA4045</a>	<a href="#">100BA4065</a>	<a href="#">100BA4086</a>	<a href="#">100BA4106</a>				
	#2	33,6	35	<a href="#">100BA4029</a>	<a href="#">100BA4046</a>	<a href="#">100BA4066</a>	<a href="#">100BA4087</a>	<a href="#">100BA4107</a>				
	#4	21,1	25	<a href="#">100BA4030</a>	<a href="#">100BA4047</a>	<a href="#">100BA4067</a>	<a href="#">100BA4088</a>	<a href="#">100BA4108</a>				
SB350	2/0	67,4	70	<a href="#">100BA4031</a>	<a href="#">100BA4048</a>	<a href="#">100BA4068</a>	<a href="#">100BA4089</a>	<a href="#">100BA4109</a>	<a href="#">100BA4123</a>			
	3/0	85,0		<a href="#">100BA4032</a>	<a href="#">100BA4049</a>	<a href="#">100BA4069</a>	<a href="#">100BA4090</a>	<a href="#">100BA4110</a>	<a href="#">100BA4124</a>			
	4/0	107,2		<a href="#">100BA4033</a>	<a href="#">100BA4050</a>	<a href="#">100BA4070</a>	<a href="#">100BA4091</a>	<a href="#">100BA4111</a>	<a href="#">100BA4125</a>			
SBE80	#6	13,3	16			<a href="#">100BA4071</a>						
SBE160	1/0	53,5	50	<a href="#">100BA4034</a>	<a href="#">100BA4051</a>	<a href="#">100BA4072</a>	<a href="#">100BA4092</a>	<a href="#">100BA4112</a>	<a href="#">100BA4126</a>	<a href="#">100BA4137</a>		
	#2	33,6	35	<a href="#">100BA4035</a>	<a href="#">100BA4052</a>	<a href="#">100BA4073</a>	<a href="#">100BA4093</a>	<a href="#">100BA4113</a>	<a href="#">100BA4127</a>	<a href="#">100BA4138</a>		
SBE320	2/0	67,4	70	<a href="#">100BA4036</a>	<a href="#">100BA4053</a>	<a href="#">100BA4074</a>	<a href="#">100BA4094</a>	<a href="#">100BA4114</a>	<a href="#">100BA4128</a>	<a href="#">100BA4139</a>	<a href="#">100BA4144</a>	<a href="#">100BA4146</a>
			50	<a href="#">100BA4037</a>	<a href="#">100BA4054</a>	<a href="#">100BA4075</a>	<a href="#">100BA4095</a>	<a href="#">100BA4115</a>	<a href="#">100BA4129</a>	<a href="#">100BA4140</a>	<a href="#">100BA4145</a>	<a href="#">100BA4147</a>
SBX175	1/0	53,5	50	<a href="#">100BA4038</a>	<a href="#">100BA4055</a>	<a href="#">100BA4076</a>	<a href="#">100BA4096</a>	<a href="#">100BA4116</a>	<a href="#">100BA4130</a>			
			35	<a href="#">100BA4039</a>	<a href="#">100BA4056</a>	<a href="#">100BA4077</a>	<a href="#">100BA4097</a>	<a href="#">100BA4117</a>	<a href="#">100BA4131</a>			
SBX350	2/0	67,4	70	<a href="#">100BA4040</a>	<a href="#">100BA4057</a>	<a href="#">100BA4078</a>	<a href="#">100BA4098</a>	<a href="#">100BA4118</a>	<a href="#">100BA4132</a>	<a href="#">100BA4141</a>		
	3/0	85,0		<a href="#">100BA4041</a>	<a href="#">100BA4058</a>	<a href="#">100BA4079</a>	<a href="#">100BA4099</a>	<a href="#">100BA4119</a>	<a href="#">100BA4133</a>	<a href="#">100BA4142</a>		
	4/0	107,2		<a href="#">100BA4042</a>	<a href="#">100BA4059</a>	<a href="#">100BA4080</a>	<a href="#">100BA4100</a>	<a href="#">100BA4120</a>	<a href="#">100BA4134</a>	<a href="#">100BA4143</a>		

# BATTERY CONNECTORS



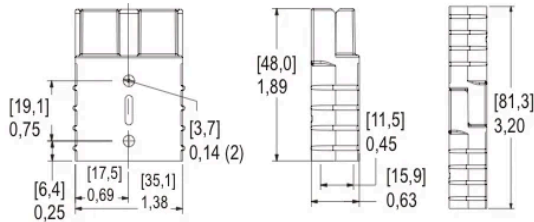
## BATTERY CONNECTORS SB50



**Technical data:**

- UL Current rating: 50 A\*
- UL Voltage ratings: 600 V\*
- Contact barrel wire size: #6 to #16 AWG, 13,3 to 1,3 mm<sup>2</sup>
- Maximum wire insulation diameter: 0,44 inches, 11,2 mm<sup>2</sup>
- AVG contact resistance: 200 mΩ
- Insulation withstanding test voltage: 2200 VAC/DC
- Contact retention force: 50 lbf
- Life:
  - a. No load (contact/disconnect cycles): to 10 000 A
  - b. Under load (Hot Plug 250 cycles @ 120 V): 50 A
- Avg. connection/disconnect: 10 lbf - low detent, 15 lbf - high detent
- Operating temperature range: -20 °C to 105 °C\*\*  
-4 °F to 221 °F
- Flammability rating of housing material: UL94 V-0

- \* UL Rated for 65 °C largest wire or cable size
- \*\* Contact factory for higher temperature rated connector
- SB®, UL and CSA Reference: this equipment is an Underwriters Laboratories Inc® recognized component
- It is also listed by the Canadian Standards Association as certified



\* Complete connector: 2-pole housing with 50 A contacts

Housing color	Wire AWG	mm <sup>2</sup>	REF* complete connector	REF housings only	REF 50 A contact set
Grey	#6	13,3	<a href="#">100BA4148</a>	<a href="#">100BA4153</a>	<a href="#">100BA4160</a>
Grey	#10/12	5,3/3,3	<a href="#">100BA4149</a>	<a href="#">100BA4153</a>	<a href="#">100BA4161</a>
Red	#6	13,3	<a href="#">100BA4150</a>	<a href="#">100BA4154</a>	<a href="#">100BA4160</a>
Red	#10/12	5,3/3,3	<a href="#">100BA4151</a>	<a href="#">100BA4154</a>	<a href="#">100BA4161</a>
Black	#6	13,3	<a href="#">100BA4152</a>	<a href="#">100BA4155</a>	<a href="#">100BA4160</a>
Black	#10/12	5,3/3,3	<a href="#">100BA4136</a>	<a href="#">100BA4155</a>	<a href="#">100BA4161</a>
Blue	#6	13,3	<a href="#">100BA4101</a>	<a href="#">100BA4156</a>	<a href="#">100BA4160</a>
Blue	#10/12	5,3/3,3	<a href="#">100BA4102</a>	<a href="#">100BA4156</a>	<a href="#">100BA4161</a>
Yellow	#6	13,3	<a href="#">100BA4026</a>	<a href="#">100BA4157</a>	<a href="#">100BA4160</a>
Yellow	#10/12	5,3/3,3	<a href="#">100BA4027</a>	<a href="#">100BA4157</a>	<a href="#">100BA4161</a>
Green	#6	13,3	<a href="#">100BA4121</a>	<a href="#">100BA4158</a>	<a href="#">100BA4160</a>
Green	#10/12	5,3/3,3	<a href="#">100BA4122</a>	<a href="#">100BA4158</a>	<a href="#">100BA4161</a>
Orange	#6	13,3	<a href="#">100BA4043</a>	<a href="#">100BA4159</a>	<a href="#">100BA4160</a>
Orange	#10/12	5,3/3,3	<a href="#">100BA4044</a>	<a href="#">100BA4159</a>	<a href="#">100BA4161</a>

SB/SBE/SBX CONNECTORS

# BATTERY CONNECTORS



SB/SBE/SBX CONNECTORS

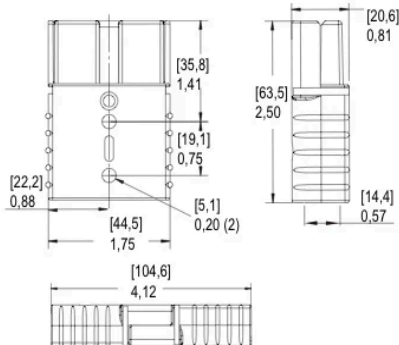
## BATTERY CONNECTORS SB120



**Technical data:**

- UL Current rating: 190 A\*
- UL Voltage ratings: 600 V\*
- Contact barrel wire size: #1 to #6 AWG, 42,4 to 13,3 mm<sup>2</sup>
- Maximum wire insulation diameter: 0,575 inches, 14,6 mm<sup>2</sup>
- AVG contact resistance: 136 mΩ
- Insulation withstanding test voltage: 2200 VAC/DC
- Contact retention force: 100 lbf
- Life:
  - a. No load (contact/disconnect cycles): to 10 000 A
  - b. Under load (Hot Plug 250 cycles @ 120 V): 50 A
- Avg. connection/disconnect: 20 lbf, 89 lbf
- Operating temperature range: -20 °C to 105 °C\*\*  
-4 °F to 221 °F
- Flammability rating of housing material: UL94 V-0

- \* UL Rated for 75 °C largest wire or cable size
- \*\* Contact factory for higher temperature rated connector
- SB®, UL and CSA Reference: this equipment is an Underwriters Laboratories Inc® recognized component
- It is also listed by the Canadian Standards Association as certified



\* Complete connector: 2-pole housing with 120 A contacts

Housing color	Wire AWG	mm <sup>2</sup>	REF* complete connector	REF housings only	REF 120 A contact set (2)
Grey	#2	33,6	<a href="#">100BA4083</a>	<a href="#">100BA4162</a>	<a href="#">100BA4165</a>
Grey	#4	21,1	<a href="#">100BA4084</a>	<a href="#">100BA4162</a>	<a href="#">100BA4166</a>
Grey	#6	13,3	<a href="#">100BA4085</a>	<a href="#">100BA4162</a>	<a href="#">100BA4167</a>
Blue	#2	33,6	<a href="#">100BA4103</a>	<a href="#">100BA4163</a>	<a href="#">100BA4165</a>
Blue	#4	21,1	<a href="#">100BA4104</a>	<a href="#">100BA4163</a>	<a href="#">100BA4166</a>
Blue	#6	13,3	<a href="#">100BA4105</a>	<a href="#">100BA4163</a>	<a href="#">100BA4167</a>
Red	#2	33,6	<a href="#">100BA4062</a>	<a href="#">100BA4164</a>	<a href="#">100BA4165</a>
Red	#4	21,1	<a href="#">100BA4063</a>	<a href="#">100BA4164</a>	<a href="#">100BA4166</a>
Red	#6	13,3	<a href="#">100BA4064</a>	<a href="#">100BA4164</a>	<a href="#">100BA4167</a>

# BATTERY CONNECTORS



## BATTERY CONNECTORS SB175

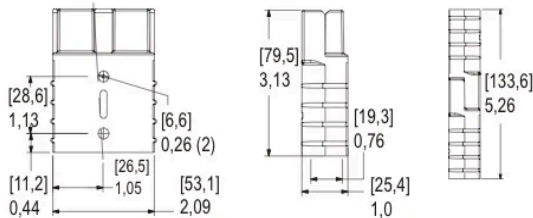


**Technical data:**

- UL Current rating: 175 A\*
- UL Voltage ratings: 600 V\*
- Contact barrel wire size: #4 to 1/0 AWG, 21,1 to 53,5 mm<sup>2</sup>
- Maximum wire insulation diameter: 0,75 inches, 19,01 mm<sup>2</sup>
- AVG contact resistance: 100 mΩ
- Insulation withstanding test voltage: 2200 VAC/DC
- Contact retention force : 300 lbf
- Life:
  - a. No load (contact/disconnect cycles): to 10 000 A
  - b. Under load (Hot Plug 250 cycles @ 120 V): 75 A
- Avg. connection/disconnect: 25 lbf (SB 2 Pole), 35 lbf (SB 3 Pole)
- Operating temperature range: -20 °C to 105 °C\*\*  
-4 °F to 221 °F
- Flammability rating of housing material: UL94 V-0



- \* UL Rated for 65 °C largest wire or cable size
- \*\* Contact factory for higher temperature rated connector
- SB®, UL and CSA Reference: this equipment is an Underwriters Laboratories Inc® recognized component
- It is also listed by the Canadian Standards Association as certified



\* Complete connector: 2-pole housing with 175 A contacts

Housing color	Wire AWG	mm <sup>2</sup>	REF* complete connector	REF housings only	REF 175 A contact set (2)
Grey	1/0	53,5	<a href="#">100BA4168</a>	<a href="#">100BA4173</a>	<a href="#">100BA4178</a>
Grey	#2	33,6	<a href="#">100BA4087</a>	<a href="#">100BA4173</a>	<a href="#">100BA4179</a>
Grey	#4	21,1	<a href="#">100BA4088</a>	<a href="#">100BA4173</a>	<a href="#">100BA4180</a>
Blue	1/0	53,5	<a href="#">100BA4169</a>	<a href="#">100BA4174</a>	<a href="#">100BA4178</a>
Blue	#2	33,6	<a href="#">100BA4107</a>	<a href="#">100BA4174</a>	<a href="#">100BA4179</a>
Blue	#4	21,1	<a href="#">100BA4108</a>	<a href="#">100BA4174</a>	<a href="#">100BA4180</a>
Orange	1/0	53,5	<a href="#">100BA4170</a>	<a href="#">100BA4175</a>	<a href="#">100BA4178</a>
Orange	#2	33,6	<a href="#">100BA4046</a>	<a href="#">100BA4175</a>	<a href="#">100BA4179</a>
Orange	#4	21,1	<a href="#">100BA4047</a>	<a href="#">100BA4175</a>	<a href="#">100BA4180</a>
Yellow	1/0	53,5	<a href="#">100BA4171</a>	<a href="#">100BA4176</a>	<a href="#">100BA4178</a>
Yellow	#2	33,6	<a href="#">100BA4029</a>	<a href="#">100BA4176</a>	<a href="#">100BA4179</a>
Yellow	#4	21,1	<a href="#">100BA4030</a>	<a href="#">100BA4176</a>	<a href="#">100BA4180</a>
Red	1/0	53,5	<a href="#">100BA4172</a>	<a href="#">100BA4177</a>	<a href="#">100BA4178</a>
Red	#2	33,6	<a href="#">100BA4066</a>	<a href="#">100BA4177</a>	<a href="#">100BA4179</a>
Red	#4	21,1	<a href="#">100BA4067</a>	<a href="#">100BA4177</a>	<a href="#">100BA4180</a>

SB/SBE/SBX CONNECTORS

# BATTERY CONNECTORS



SB/SBE/SBX CONNECTORS

## COMPLETE CONNECTOR: 3-POLE HOUSING WITH 175 A CONTACTS



- Housing color: grey
- Wire: 1/0 AWG / 53,5 mm<sup>2</sup>

REF [100BA3602](#)

## HANDLE FOR 3-POLE CONNECTOR



REF [100BA3603](#)

# BATTERY CONNECTORS



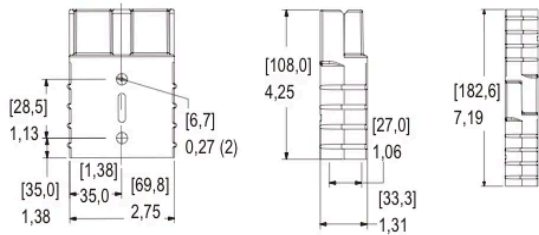
## BATTERY CONNECTORS SB350



**Technical data:**

- UL Current rating: 350 A\*
- UL Voltage ratings: 600 V\*
- Contact barrel wire size: 2/0 to 300 AWG, 67,4 to 152,0 mm<sup>2</sup>
- Maximum wire insulation diameter: 1,10 inches, 27,9 mm<sup>2</sup>
- AVG contact resistance: 50 mΩ
- Insulation withstanding test voltage: 2200 VAC/DC
- Contact retention force: 500 lbf
- Life:
  - a. No load (contact/disconnect cycles): to 10 000 A
  - b. Under load (Hot Plug 250 cycles @ 120 V): 100 A
- Avg. connection/disconnect: 30 lbf
- Operating temperature range: -20 °C to 105 °C\*\*  
-4 °F to 221 °F
- Flammability rating of housing material: UL94 V-0

- \* UL Rated for 65 °C largest wire or cable size
- \*\* Contact factory for higher temperature rated connector
- SB®, UL and CSA Reference: this equipment is an Underwriters Laboratories Inc® recognized component.
- It is also listed by the Canadian Standards Association as certified.



\* Complete connector: 2-pole housing with 350 A contacts

Housing color	Wire AWG	mm <sup>2</sup>	REF* complete connector	REF housings only	REF 350 A contact set [2]
Grey	2/0	67,4	<a href="#">100BA4181</a>	<a href="#">100BA4187</a>	<a href="#">100BA4193</a>
Grey	4/0	107,2	<a href="#">100BA4091</a>	<a href="#">100BA4187</a>	<a href="#">100BA4194</a>
Grey	300 mcm	152,0	<a href="#">100BA4182</a>	<a href="#">100BA4187</a>	<a href="#">100BA4195</a>
Grey	3/0	85,0	<a href="#">100BA4090</a>	<a href="#">100BA4187</a>	<a href="#">100BA4196</a>
Blue	2/0	67,4	<a href="#">100BA4183</a>	<a href="#">100BA4188</a>	<a href="#">100BA4193</a>
Blue	4/0	107,2	<a href="#">100BA4111</a>	<a href="#">100BA4188</a>	<a href="#">100BA4194</a>
Blue	3/0	85,0	<a href="#">100BA4110</a>	<a href="#">100BA4188</a>	<a href="#">100BA4196</a>
Red	2/0	67,4	<a href="#">100BA4184</a>	<a href="#">100BA4189</a>	<a href="#">100BA4193</a>
Red	4/0	107,2	<a href="#">100BA4070</a>	<a href="#">100BA4189</a>	<a href="#">100BA4194</a>
Red	3/0	85,0	<a href="#">100BA4069</a>	<a href="#">100BA4189</a>	<a href="#">100BA4196</a>
Yellow	2/0	67,4	<a href="#">100BA4185</a>	<a href="#">100BA4190</a>	<a href="#">100BA4193</a>
Yellow	4/0	107,2	<a href="#">100BA4033</a>	<a href="#">100BA4190</a>	<a href="#">100BA4194</a>
Yellow	3/0	85,0	<a href="#">100BA4032</a>	<a href="#">100BA4190</a>	<a href="#">100BA4196</a>
Green	2/0	67,4	<a href="#">100BA4186</a>	<a href="#">100BA4191</a>	<a href="#">100BA4193</a>
Green	4/0	107,2	<a href="#">100BA4125</a>	<a href="#">100BA4191</a>	<a href="#">100BA4194</a>
Green	3/0	85,0	<a href="#">100BA4124</a>	<a href="#">100BA4191</a>	<a href="#">100BA4196</a>
Orange	2/0	67,4	<a href="#">100BA4048</a>	<a href="#">100BA4192</a>	<a href="#">100BA4193</a>
Orange	4/0	107,2	<a href="#">100BA4050</a>	<a href="#">100BA4192</a>	<a href="#">100BA4194</a>
Orange	3/0	85,0	<a href="#">100BA4049</a>	<a href="#">100BA4192</a>	<a href="#">100BA4196</a>

SB/SBE/SBX CONNECTORS

# BATTERY CONNECTORS

**TOTAL SOURCE<sup>®</sup>**

SB/SBE/SBX CONNECTORS

## HANDLE KITS - POLYCARBONATE


**APP**  
 Anderson Power Products<sup>®</sup>

For 50 A connectors

**REF 100BA3192** - Red

**APP**  
 Anderson Power Products<sup>®</sup>

For 120 A connectors

**REF 100BA3193** - Red

**APP**  
 Anderson Power Products<sup>®</sup>

For 50-120 A connectors

**REF 100BA3194** - Grey  
**REF 100BA3195** - Black  
**REF 100BA3196** - Red

**APP**  
 Anderson Power Products<sup>®</sup>

For 175-350 A connectors

**REF 100BA3197** - Grey  
**REF 100BA4365** - Black  
**REF 100BA4366** - Red

# BATTERY CONNECTORS



## HANDLE KITS - STEEL



For 50 A connectors (connector not included)

REF [100BA3604](#) - Red



For 175 A connectors (connector not included)

REF [100BA3605](#) - Red



For 175-350 A connectors (connector not included)

REF [100BA3606](#) - Red



Handle and clamp for 350 A connectors

REF [100BA3607](#)

SB/SBE/SBX CONNECTORS





# BATTERY CONNECTORS



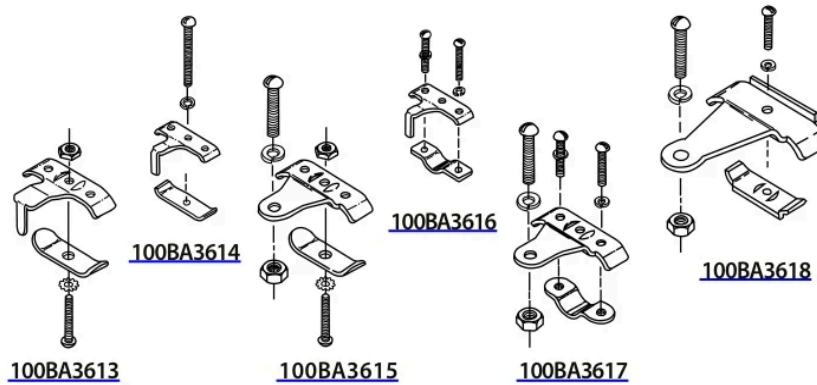
SB/SBE/SBX CONNECTORS

## MANUAL RELEASES



For use with	Description	REF
SB175	Locking handle with hardware, for battery	<a href="#">100BA3608</a>
SB175	Mounting half with hardware, for truck/charger	<a href="#">100BA3609</a>
SB350	Locking handle with hardware, for battery	<a href="#">100BA3610</a>
SB350	Locking handle with lockout spring and hardware, for battery	<a href="#">100BA3611</a>
SB350	Mounting half with hardware, for truck/charger	<a href="#">100BA3612</a>

## CABLE CLAMPS



Required by UL when contacts are soldered to unsupported leads

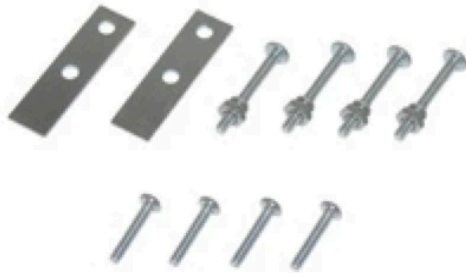
For use with	Description	REF
SB50	2 Single conductor	<a href="#">100BA3613</a>
SB50	1 Twin conductor	<a href="#">100BA3614</a>
SB175	2 Single conductor	<a href="#">100BA3615</a>
SB175	Used with handle only	<a href="#">100BA3616</a>
SB175	1 Twin conductor	<a href="#">100BA3617</a>
SB350	2 Single conductor	<a href="#">100BA3618</a>

# BATTERY CONNECTORS



SB/SBE/SBX CONNECTORS

## CONNECTOR KEY KITS



- Key kits can be mounted to prevent charger to SCR panel connector halves from engaging while still allowing battery and truck connector halves to engage
- Key kits can also be mounted to prevent battery to truck connector halves from engaging on unsafe vehicles
- Bright zinc plate
- All key kits include 2 plated steel keys and all necessary hardware

**REF 100BA3619** – For use with SB50

**REF 100BA3620** – For use with SB175/350

## CONNECTOR DUST COVER



Color	A	REF
Red	For use on 50 A connector	<a href="#">100BA3621</a>
Black	For use on 50 A connector	<a href="#">100BA3622</a>
Red	For use on 175 A connector	<a href="#">100BA3623</a>
Black	For use on 175 A connector	<a href="#">100BA3601</a>
Red	For use on 350 A connector	<a href="#">100BA3624</a>

## CONNECTOR DUST COVER



Color	A	REF
Black	For use on 350 A connector	<a href="#">100BA3625</a>
Black	For use on 175 A connector	<a href="#">100BA3626</a>
Black	For use on 350 A connector	<a href="#">100BA3627</a>

## CONNECTOR LOCKOUTS



- For use with 175 A or 350 A connectors
- Lock not included, needs to be ordered separately with REF 100BA5077

**REF 100BA3628** – For use with SB350-lockout

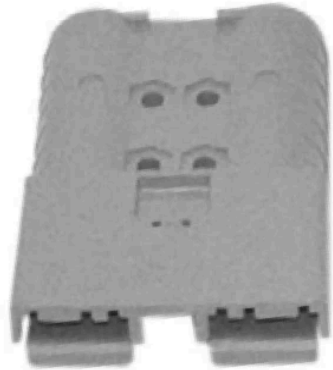
**REF 100BA3629** – For use with SB175-lockout

# BATTERY CONNECTORS



SB/SBE/SBX CONNECTORS

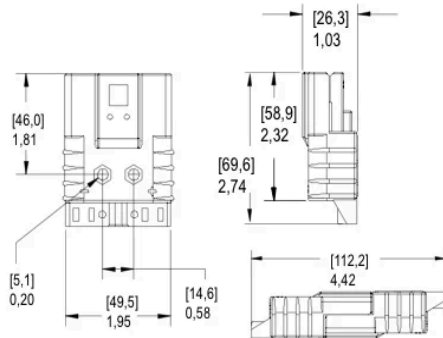
## BATTERY CONNECTORS SBE80



**Technical data:**

- Current rating (main contacts): 80 A\*
- Largest wire size: #6 (60 A) AWG, 16 (80 A) mm<sup>2</sup>
- Maximum operating voltage AC/DC: 150 V\*
- Contact material: silver plated copper
- Operating temperature range: -20 °C to 105 °C  
-4 °F to 221 °F
- Flammability rating of housing material: UL94 V-0
- Average contact resistance: 200 mΩ
- Insulation with standing test voltage: 1300 VAC/DC
- Maximum wire insulation diameter: 0,44 inches, 11,2 mm<sup>2</sup>
- Contact retention force: 50 lbf
- Life:
  - a. No load (contact/disconnect cycles): to 10 000 A
  - b. Under load (Hot Plug 250 cycles @ 120 V): 60 A

\*UL rated for 65 °C largest wire or cable size

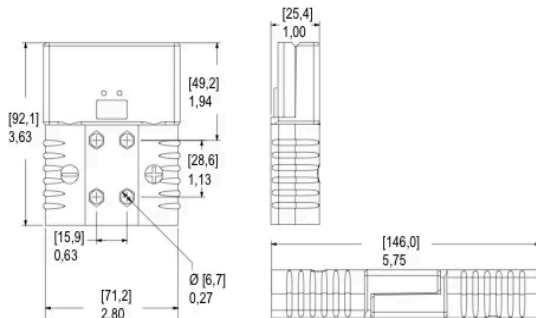
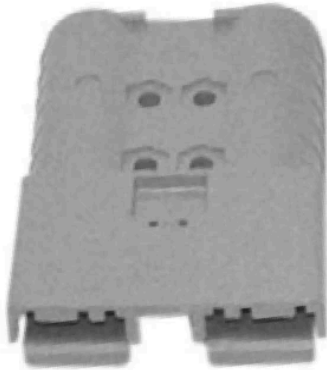


	Type	Wire		REF
		AWG	mm <sup>2</sup>	
	<b>Complete connector:</b> 2-pole housing with 80 A contacts, clamp and hardware	#6	16	<a href="#">100BA4071</a>
	<b>Complete connector:</b> 2-pole housing with 80 A contacts, handle, clamp and hardware	#6	16	<a href="#">100BA4197</a>

# BATTERY CONNECTORS



## BATTERY CONNECTORS SBE160



**Technical data:**

- UL Current rating: 160 A\*
- UL Voltage ratings: 150 V\*
- Contact barrel wire size: 1/0 or 35 mm AWG
- Maximum wire insulation diameter: 0,75 inches, 19,1 mm<sup>2</sup>
- AVG contact resistance: 100 mΩ
- Insulation withstanding test voltage: 1300 VAC/DC
- Contact retention force: 300 lbf
- Life:
  - a. No load (contact/disconnect cycles): to 10 000A
  - b. Under load (Hot Plug 250 cycles @ 120 V): 75 A
- Avg. connection/disconnect: 25 lbf
- Operating temperature range: -20 °C to 105 °C \*\*  
-4 °F to 221 °F
- Flammability rating of housing material: UL94 V-0

\* UL Rated for 65 °C largest wire or cable size

\*\* Contact factory for higher temperature rated connector



\* Complete connector: 2-pole housing with 160 A contacts

Housing color	Wire AWG	mm <sup>2</sup>	REF* complete connector	REF housings only	REF contact set	REF* complete connector and auxiliary contacts
Grey	/	35	<a href="#">100BA4198</a>	<a href="#">100BA4205</a>	<a href="#">100BA4212</a>	<a href="#">100BA4213</a>
Grey	/	50	<a href="#">100BA4092</a>	<a href="#">100BA4205</a>		
Blue	/	35	<a href="#">100BA4199</a>	<a href="#">100BA4206</a>	<a href="#">100BA4212</a>	<a href="#">100BA4214</a>
Blue	/	50	<a href="#">100BA4112</a>	<a href="#">100BA4206</a>		
Orange	/	35	<a href="#">100BA4200</a>	<a href="#">100BA4207</a>	<a href="#">100BA4212</a>	<a href="#">100BA4215</a>
Orange	/	50	<a href="#">100BA4051</a>	<a href="#">100BA4207</a>		
Yellow	/	35	<a href="#">100BA4201</a>	<a href="#">100BA4208</a>	<a href="#">100BA4212</a>	<a href="#">100BA4216</a>
Yellow	/	50	<a href="#">100BA4202</a>	<a href="#">100BA4208</a>		
Red	/	35	<a href="#">100BA4203</a>	<a href="#">100BA4209</a>	<a href="#">100BA4212</a>	<a href="#">100BA4217</a>
Red	/	50	<a href="#">100BA4072</a>	<a href="#">100BA4209</a>		
Green	/	35	<a href="#">100BA4127</a>	<a href="#">100BA4210</a>	<a href="#">100BA4212</a>	<a href="#">100BA4218</a>
Green	/	50	<a href="#">100BA4126</a>	<a href="#">100BA4210</a>		
Black	/	35	<a href="#">100BA4204</a>	<a href="#">100BA4211</a>	<a href="#">100BA4212</a>	<a href="#">100BA4219</a>
Black	/	50	<a href="#">100BA4137</a>	<a href="#">100BA4211</a>		

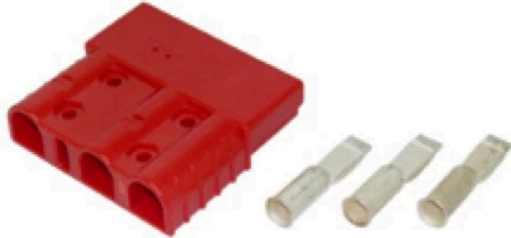
SB/SBE/SBX CONNECTORS

# BATTERY CONNECTORS

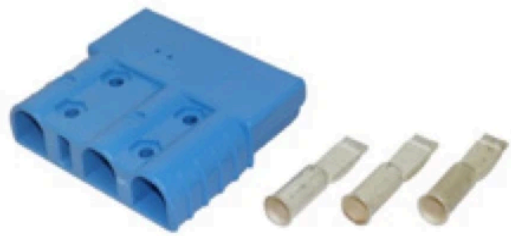
**TOTAL SOURCE**<sup>®</sup>

SB/SBE/SBX CONNECTORS

## BATTERY CONNECTORS SAE160

**APP**  
 Anderson Power Products<sup>®</sup>


3-pole connectors SAE3160

**REF 100BA3630** – Red, wire: 50 mm<sup>2</sup>
**APP**  
 Anderson Power Products<sup>®</sup>


3-pole connectors SAE3160

**REF 100BA4367** – Blue, wire: 50 mm<sup>2</sup>
**APP**  
 Anderson Power Products<sup>®</sup>


Handle for SAE3160

**REF 100BA4368** – Black

**APP**  
 Anderson Power Products<sup>®</sup>


Contact set for SBE3160 (3pcs)

**REF 100BA3633** – Wire: 50 mm<sup>2</sup>

# BATTERY CONNECTORS



## BATTERY CONNECTORS SBE320

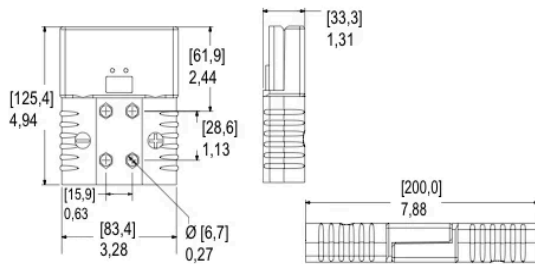


**Technical data:**

- UL Current rating: 320 A\*
- UL Voltage ratings: 150 V\*
- Contact barrel wire size: 2/0 to 300 AWG, 67,4 to 152,0 mm<sup>2</sup>
- Maximum wire insulation diameter: 1,10 inches, 27,9 mm<sup>2</sup>
- AVG contact resistance: 50 mΩ
- Insulation withstanding test voltage: 1300 VAC/DC
- Contact retention force: 500 lbf
- Life:
  - a. No load (contact/disconnect cycles): to 10 000 A
  - b. Under load (Hot Plug 250 cycles @ 120 V): 100 A\*
- Avg. connection/disconnect: 30 lbf
- Operating temperature range: -20 °C to 105 °C\*\*  
-4 °F to 221 °F
- Flammability rating of housing material: UL94 V-0

\* UL Rated for 65 °C largest wire or cable size

\*\* Contact factory for higher temperature rated connector



\* Complete connector: 2-pole housing with 320 A contacts

Housing color	Wire AWG	mm <sup>2</sup>	REF* complete connector	REF housings only	REF contact set (2)	REF* complete connector and auxiliary contacts
Yellow	2/0	67,4	<a href="#">100BA4036</a>	<a href="#">100BA4220</a>	<a href="#">100BA4229</a>	<a href="#">100BA4231</a>
Yellow	/	50	<a href="#">100BA4037</a>	<a href="#">100BA4220</a>	<a href="#">100BA4230</a>	<a href="#">100BA4232</a>
Orange	2/0	67,4	<a href="#">100BA4053</a>	<a href="#">100BA4221</a>	<a href="#">100BA4229</a>	<a href="#">100BA4233</a>
Orange	/	50	<a href="#">100BA4054</a>	<a href="#">100BA4221</a>	<a href="#">100BA4230</a>	<a href="#">100BA4234</a>
Red	2/0	67,4	<a href="#">100BA4074</a>	<a href="#">100BA4222</a>	<a href="#">100BA4229</a>	<a href="#">100BA4235</a>
Red	/	50	<a href="#">100BA4075</a>	<a href="#">100BA4222</a>	<a href="#">100BA4230</a>	<a href="#">100BA4236</a>
Grey	2/0	67,4	<a href="#">100BA4094</a>	<a href="#">100BA4223</a>	<a href="#">100BA4229</a>	<a href="#">100BA4237</a>
Grey	/	50	<a href="#">100BA4095</a>	<a href="#">100BA4223</a>	<a href="#">100BA4230</a>	<a href="#">100BA4238</a>
Blue	2/0	67,4	<a href="#">100BA4114</a>	<a href="#">100BA4224</a>	<a href="#">100BA4229</a>	<a href="#">100BA4239</a>
Blue	/	50	<a href="#">100BA4115</a>	<a href="#">100BA4224</a>	<a href="#">100BA4230</a>	<a href="#">100BA4240</a>
Green	2/0	67,4	<a href="#">100BA4128</a>	<a href="#">100BA4225</a>	<a href="#">100BA4229</a>	<a href="#">100BA4241</a>
Green	/	50	<a href="#">100BA4129</a>	<a href="#">100BA4225</a>	<a href="#">100BA4230</a>	<a href="#">100BA4242</a>
Black	2/0	67,4	<a href="#">100BA4139</a>	<a href="#">100BA4226</a>	<a href="#">100BA4229</a>	<a href="#">100BA4243</a>
Black	/	50	<a href="#">100BA4140</a>	<a href="#">100BA4226</a>	<a href="#">100BA4230</a>	<a href="#">100BA4244</a>
Brown	2/0	67,4	<a href="#">100BA4144</a>	<a href="#">100BA4227</a>	<a href="#">100BA4229</a>	<a href="#">100BA4245</a>
Brown	/	50	<a href="#">100BA4145</a>	<a href="#">100BA4227</a>	<a href="#">100BA4230</a>	<a href="#">100BA4246</a>
Purple	2/0	67,4	<a href="#">100BA4146</a>	<a href="#">100BA4228</a>	<a href="#">100BA4229</a>	<a href="#">100BA4247</a>
Purple	/	50	<a href="#">100BA4147</a>	<a href="#">100BA4228</a>	<a href="#">100BA4230</a>	<a href="#">100BA4248</a>

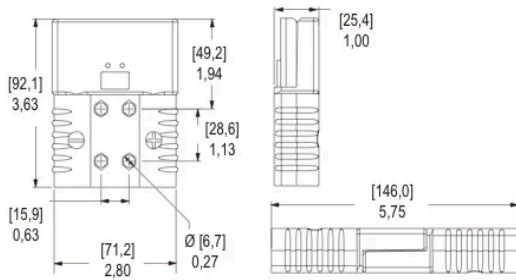
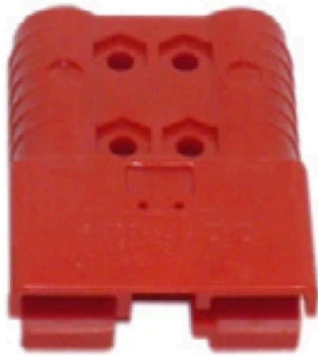
SB/SBE/SBX CONNECTORS

# BATTERY CONNECTORS



SB/SBE/SBX CONNECTORS

## BATTERY CONNECTORS SBX175



**Technical data:**

- UL Current rating: 175 A\*
- UL Voltage ratings: 600 V\*
- Contact barrel wire size: 1/0 AWG, 50 or 35 mm<sup>2</sup>
- Maximum wire insulation diameter: 0,75 inches, 19,1 mm<sup>2</sup>
- AVG contact resistance: 100 mΩ
- Insulation withstanding test voltage: 2200 VAC/DC
- Contact retention force: 300 lbf, 1334 lbf
- Life:
  - a. No load (contact/disconnect cycles): to 10 000 A
  - b. Under load (Hot Plug 250 cycles @ 120 V): 75 A
- Avg. connection/disconnect: 25 lbf, 111 lbf
- Operating temperature range: -20 °C to 105 °C\*\*  
-4 °F to 221 °F
- Flammability rating of housing material: UL94 V-0

\* UL Rated for 65 °C largest wire or cable size

\*\* Contact factory for higher temperature rated connector



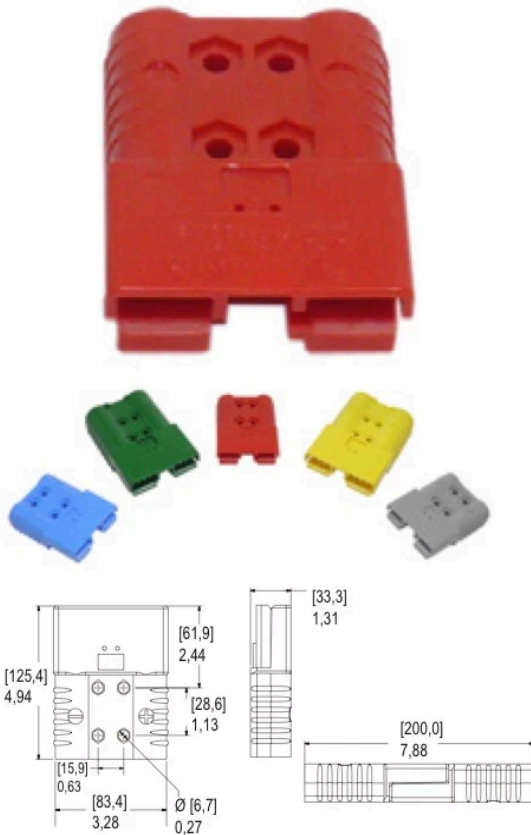
\* Complete connector: 2-pole housing with 175 A contacts

Housing color	Wire AWG	mm <sup>2</sup>	REF* complete connector	REF housings only	REF contact set (2)	REF* complete connector and auxiliary contacts
Yellow	1/0	53,5	<a href="#">100BA4038</a>	<a href="#">100BA4249</a>	<a href="#">100BA4255</a>	<a href="#">100BA4256</a>
Yellow	/	35	<a href="#">100BA4039</a>	<a href="#">100BA4249</a>	<a href="#">100BA4212</a>	<a href="#">100BA4257</a>
Orange	1/0	53,5	<a href="#">100BA4055</a>	<a href="#">100BA4250</a>	<a href="#">100BA4255</a>	<a href="#">100BA4258</a>
Orange	/	35	<a href="#">100BA4056</a>	<a href="#">100BA4250</a>	<a href="#">100BA4212</a>	<a href="#">100BA4259</a>
Red	1/0	53,5	<a href="#">100BA4076</a>	<a href="#">100BA4251</a>	<a href="#">100BA4255</a>	<a href="#">100BA4260</a>
Red	/	35	<a href="#">100BA4077</a>	<a href="#">100BA4251</a>	<a href="#">100BA4212</a>	<a href="#">100BA4261</a>
Grey	1/0	53,5	<a href="#">100BA4096</a>	<a href="#">100BA4252</a>	<a href="#">100BA4255</a>	<a href="#">100BA4262</a>
Grey	/	35	<a href="#">100BA4097</a>	<a href="#">100BA4252</a>	<a href="#">100BA4212</a>	<a href="#">100BA4263</a>
Blue	1/0	53,5	<a href="#">100BA4116</a>	<a href="#">100BA4253</a>	<a href="#">100BA4255</a>	<a href="#">100BA4264</a>
Blue	/	35	<a href="#">100BA4117</a>	<a href="#">100BA4253</a>	<a href="#">100BA4212</a>	<a href="#">100BA4265</a>
Green	1/0	53,5	<a href="#">100BA4130</a>	<a href="#">100BA4254</a>	<a href="#">100BA4255</a>	<a href="#">100BA4266</a>
Green	/	35	<a href="#">100BA4131</a>	<a href="#">100BA4254</a>	<a href="#">100BA4212</a>	<a href="#">100BA4267</a>

# BATTERY CONNECTORS



## BATTERY CONNECTORS SBX350



**Technical data:**

- UL Current rating: 350 A\*
- UL Voltage ratings: 600 V\*
- Contact barrel wire size: 2/0 to 300 mcm AWG, 67,4 to 152 mm<sup>2</sup>
- Maximum wire insulation diameter: 1,10 inches, 27,9 mm<sup>2</sup>
- AVG contact resistance: 50 mΩ
- Insulation withstanding test voltage: 2200 VAC/DC
- Contact retention force: 500 lbf, 2224 lbf
- Life:
  - a. No load (contact/disconnect cycles): to 10 000 A
  - b. Under load (Hot Plug 250 cycles @ 120 V): 100 A\*
- Avg. connection/disconnect: 30 lbf, 133 lbf
- Operating temperature range: -20 °C to 105 °C\*\*  
-4 °F to 221 °F
- Flammability rating of housing material: UL94 V-0

\* UL Rated for 65 °C largest wire or cable size  
\*\* Contact factory for higher temperature rated connector



\* Complete connector: 2-pole housing with 350 A contacts

Housing color	Wire AWG	mm <sup>2</sup>	REF* complete connector	REF housings only	REF contact set (2)	REF* complete connector and auxiliary contacts
Yellow	2/0	67,4	<a href="#">100BA4040</a>	<a href="#">100BA4268</a>	<a href="#">100BA4229</a>	<a href="#">100BA4277</a>
Yellow	3/0	85	<a href="#">100BA4041</a>	<a href="#">100BA4268</a>	<a href="#">100BA4275</a>	<a href="#">100BA4278</a>
Yellow	4/0	107,2	<a href="#">100BA4042</a>	<a href="#">100BA4268</a>	<a href="#">100BA4276</a>	<a href="#">100BA4042</a>
Orange	2/0	67,4	<a href="#">100BA4057</a>	<a href="#">100BA4269</a>	<a href="#">100BA4229</a>	<a href="#">100BA4041</a>
Orange	3/0	85	<a href="#">100BA4058</a>	<a href="#">100BA4269</a>	<a href="#">100BA4275</a>	<a href="#">100BA4279</a>
Orange	4/0	107,2	<a href="#">100BA4059</a>	<a href="#">100BA4269</a>	<a href="#">100BA4276</a>	<a href="#">100BA4042</a>
Red	2/0	67,4	<a href="#">100BA4078</a>	<a href="#">100BA4270</a>	<a href="#">100BA4229</a>	<a href="#">100BA4280</a>
Red	3/0	85	<a href="#">100BA4079</a>	<a href="#">100BA4270</a>	<a href="#">100BA4275</a>	<a href="#">100BA4281</a>
Red	4/0	107,2	<a href="#">100BA4080</a>	<a href="#">100BA4270</a>	<a href="#">100BA4276</a>	<a href="#">100BA4282</a>
Grey	2/0	67,4	<a href="#">100BA4098</a>	<a href="#">100BA4271</a>	<a href="#">100BA4229</a>	<a href="#">100BA4283</a>
Grey	3/0	85	<a href="#">100BA4099</a>	<a href="#">100BA4271</a>	<a href="#">100BA4275</a>	<a href="#">100BA4284</a>
Grey	4/0	107,2	<a href="#">100BA4100</a>	<a href="#">100BA4271</a>	<a href="#">100BA4276</a>	<a href="#">100BA4285</a>
Blue	2/0	67,4	<a href="#">100BA4118</a>	<a href="#">100BA4272</a>	<a href="#">100BA4229</a>	<a href="#">100BA4286</a>
Blue	3/0	85	<a href="#">100BA4119</a>	<a href="#">100BA4272</a>	<a href="#">100BA4275</a>	<a href="#">100BA4287</a>
Blue	4/0	107,2	<a href="#">100BA4120</a>	<a href="#">100BA4272</a>	<a href="#">100BA4276</a>	<a href="#">100BA4120</a>
Green	2/0	67,4	<a href="#">100BA4132</a>	<a href="#">100BA4273</a>	<a href="#">100BA4229</a>	<a href="#">100BA4288</a>
Green	3/0	85	<a href="#">100BA4133</a>	<a href="#">100BA4273</a>	<a href="#">100BA4275</a>	<a href="#">100BA4289</a>
Green	4/0	107,2	<a href="#">100BA4134</a>	<a href="#">100BA4273</a>	<a href="#">100BA4276</a>	<a href="#">100BA4290</a>
Black	2/0	67,4	<a href="#">100BA4141</a>	<a href="#">100BA4274</a>	<a href="#">100BA4229</a>	<a href="#">100BA4291</a>
Black	3/0	85	<a href="#">100BA4142</a>	<a href="#">100BA4274</a>	<a href="#">100BA4275</a>	<a href="#">100BA4292</a>
Black	4/0	107,2	<a href="#">100BA4143</a>	<a href="#">100BA4274</a>	<a href="#">100BA4276</a>	<a href="#">100BA4278</a>

SB/SBE/SBX CONNECTORS



# BATTERY CONNECTORS



SB/SBE/SBX CONNECTORS

## EXTRACTION TOOLS



REF [100BA3634](#) – For SBE/SBX 175 A connectors

## EXTRACTION TOOLS



REF [100BA3635](#) – For SBE/SBX 350 A connectors

## HANDLE KITS



- Polycarbonate
- SBE160/320 A
- SBX175/350 A

- REF [100BA3197](#) – Grey
- REF [100BA4365](#) – Red
- REF [100BA4366](#) – Black

## HANDLE KITS



- Steel handle
- SBE160/320 A
- SBX175/350 A

REF [100BA4370](#) – Red

# BATTERY CONNECTORS

**TOTALSOURCE®**

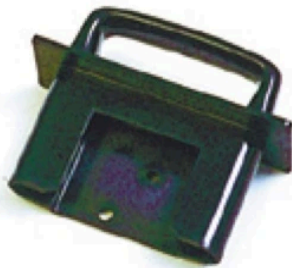
## HANDLE KITS


**APP**  
Anderson Power Products®

- Ergonomic handle
- SBE160/320A
- SBX175/350A

**REF 100BA3637** – Red

## HANDLE KITS


**APP**  
Anderson Power Products®

- Special handles for BT
- SBE160/SBX175

**REF 100BA3638** – Black

## HANDLE KITS


**APP**  
Anderson Power Products®

- Special handles for BT
- SBE160/SBX175

**REF 100BA3639** – Black

## MANUAL RELEASE HANDLES


**APP**  
Anderson Power Products®

For use with SBE160/SBX175

- REF 100BA3640** – Locking handle with hardware, for charger or truck
- REF 100BA3641** – Mounting half with hardware, for battery
- REF 100BA3642** – Locking handle with hardware, for charger or truck
- REF 100BA3643** – Mounting half with hardware, for battery

SB/SBE/SBX CONNECTORS

# BATTERY CONNECTORS



SB/SBE/SBX CONNECTORS

## CABLE CLAMPS



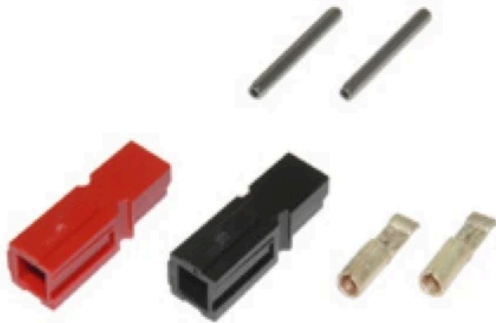
REF [100BA3644](#) - For use with SBE160/SBX175  
 REF [100BA3645](#) - For use with SBE320/SBX350

## CABLE CLAMPS



REF [100BA3646](#) - For use with SBE/SBX

## AUXILIARY CONTACT KIT



REF [100BA3647](#) - For use with SBE160/320 A  
 - For use with SBX175/350 A

## CODING PIN YELLOW



REF [100BA3648](#) - For use with SBE160/320 A  
 - For use with SBX175/350 A

# BATTERY CONNECTORS



## CODING PIN KIT FEMALE



REF [100BA3200](#) - For use with SBE160/320 A, #16/12 AWG/1,31/3,31 mm<sup>2</sup>

## CODING PIN KIT MALE



REF [100BA3201](#) - For use with SBX175/350 A, #16/12 AWG/1,31/3,31 mm<sup>2</sup>

## AIR SUPPLY SYSTEM



REF [100BA3202](#) - For use with SBE160/320 A

SB/SBE/SBX CONNECTORS



# BATTERY CONNECTORS

**TOTALSOURCE<sup>®</sup>**

POWERPOLE CONNECTORS

## POWERPOLE CONNECTORS


**APP**  
 Anderson Power Products<sup>®</sup>

### Nice to know

**Flat wiping contact system:**

- Allows for minimal contact resistance at high current, wiping action cleans contact surface during connection/disconnection

**Interchangeable genderless design:**

- Makes assembly quick and easy and reduces number of parts stocked

**Silver plated contacts:**

- Offers greatest longevity when using high power, elevated temperature applications

**Colored modular housings:**

- Provides visual identification of proper mating connector

**Polarized housings:**

- Prevents damage to connectors from being mated incorrectly

**Molded-in dovetails:**

- Secures individual connectors together

**Crimp PCB or Bus bar contact terminals:**

- Offers design flexibility for your manufacturing and maintenance requirements

**Wide product range - from 15 A through 180 A:**

- 15, 30, 45, 75, 120 and 180 A product ratings, allows versatility to choose product best suited to design requirements

**UL94 V-0 housing material:**

- Provides security in knowledge that the connector chosen meets strict UL flammability ratings

# BATTERY CONNECTORS



## POWERPOLE CONNECTORS PP15



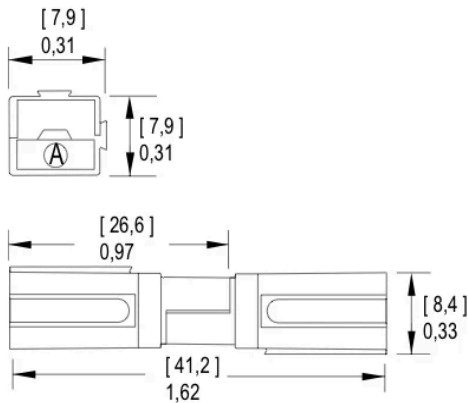
**Technical data:**

- UL Current rating: 15 A\*
- UL Voltage ratings: 600 V\*
- Contact barrel wire size: #16 to #20 AWG, 1,3 to 0,5 mm<sup>2</sup>
- Maximum wire insulation diameter: 0,175 inches, 4,45 mm<sup>2</sup>
- AVG contact resistance: 875 mΩ
- Insulation withstanding test voltage: 2200 VAC/DC
- Contact retention force: 25 lbf
- Life:
  - a. No load (contact/disconnect cycles): to 10 000 A
  - b. Under load (Hot Plug 250 cycles @ 120 V): 15 A
- Avg. connection/disconnect: 3 lbf - low detent, 5 lbf - high detent
- Operating temperature range: -20 °C to 105 °C\*\*  
-4 °F to 221 °F
- Flammability rating of housing material: UL94 V-0

\* UL Rated for 65 °C largest wire or cable size

\*\* Both AC & DC Voltage

\*\*\* Contact factory for higher temperature rated connectors



Housing color	Wire AWG	mm <sup>2</sup>	REF housings only	REF Housing & 15 A contact	REF 15 A contact (1 pc)
Red	16/20	1,3/0,52	<a href="#">100BA4293</a>	<a href="#">100BA4304</a>	<a href="#">100BA4309</a>
Green	16/20	1,3/0,52	<a href="#">100BA4294</a>	<a href="#">100BA4305</a>	<a href="#">100BA4309</a>
Black	16/20	1,3/0,52	<a href="#">100BA4295</a>	<a href="#">100BA4306</a>	<a href="#">100BA4309</a>
White	16/20	1,3/0,52	<a href="#">100BA4296</a>	<a href="#">100BA4307</a>	<a href="#">100BA4309</a>
Blue	16/20	1,3/0,52	<a href="#">100BA4297</a>	<a href="#">100BA4308</a>	<a href="#">100BA4309</a>
Yellow	16/20	1,3/0,52	<a href="#">100BA4298</a>		<a href="#">100BA4309</a>
Orange	16/20	1,3/0,52	<a href="#">100BA4299</a>		<a href="#">100BA4309</a>
Grey	16/20	1,3/0,52	<a href="#">100BA4300</a>		<a href="#">100BA4309</a>
Brown	16/20	1,3/0,52	<a href="#">100BA4301</a>		<a href="#">100BA4309</a>
Pink	16/20	1,3/0,52	<a href="#">100BA4302</a>		<a href="#">100BA4309</a>
Purple	16/20	1,3/0,52	<a href="#">100BA4303</a>		<a href="#">100BA4309</a>

POWERPOLE CONNECTORS

# BATTERY CONNECTORS

**TOTALSOURCE®**

POWERPOLE CONNECTORS

## POWERPOLE CONNECTORS PP30

**APP**  
 Anderson Power Products®

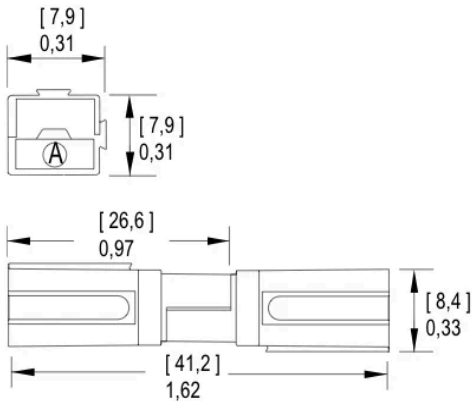
**Technical data:**

- UL Current rating: 30 A\*
- UL Voltage ratings: 600 V\*
- Contact barrel wire size: #12 to #16 AWG, 3,3 to 1,3 mm<sup>2</sup>
- Maximum wire insulation diameter: 0,175 inches, 4,45 mm<sup>2</sup>
- AVG contact resistance: 600 mΩ
- Insulation withstanding test voltage: 2200 VAC/DC
- Contact retention force: 25 lbf
- Life:
  - a. No load (contact/disconnect cycles): to 10 000 A
  - b. Under load (Hot Plug 250 cycles @ 120 V): 30 A
- Avg. connection/disconnect: 3 lbf - low detent, 5 lbf - high detent
- Operating temperature range: -20 °C to 105 °C\*\*  
-4 °F to 221 °F
- Flammability rating of housing material: UL94 V-0

\* UL Rated for 65 °C largest wire or cable size

\*\* Both AC &amp; DC Voltage

\*\*\* Contact factory for higher temperature rated connectors



Housing color	Wire AWG	mm <sup>2</sup>	REF housings only	REF Housing & 30 A contact	REF 30 A contact (1 pc)
Red	12/16	3,3/1,3	<a href="#">100BA4293</a>	<a href="#">100BA4310</a>	<a href="#">100BA4317</a>
Green	12/16	3,3/1,3	<a href="#">100BA4294</a>	<a href="#">100BA4311</a>	<a href="#">100BA4317</a>
Black	12/16	3,3/1,3	<a href="#">100BA4295</a>	<a href="#">100BA4312</a>	<a href="#">100BA4317</a>
White	12/16	3,3/1,3	<a href="#">100BA4296</a>	<a href="#">100BA4313</a>	<a href="#">100BA4317</a>
Blue	12/16	3,3/1,3	<a href="#">100BA4297</a>	<a href="#">100BA4314</a>	<a href="#">100BA4317</a>
Yellow	12/16	3,3/1,3	<a href="#">100BA4298</a>	<a href="#">100BA4315</a>	<a href="#">100BA4317</a>
Orange	12/16	3,3/1,3	<a href="#">100BA4299</a>		<a href="#">100BA4317</a>
Grey	12/16	3,3/1,3	<a href="#">100BA4300</a>	<a href="#">100BA4316</a>	<a href="#">100BA4317</a>
Brown	12/16	3,3/1,3	<a href="#">100BA4301</a>		<a href="#">100BA4317</a>
Pink	12/16	3,3/1,3	<a href="#">100BA4302</a>		<a href="#">100BA4317</a>
Purple	12/16	3,3/1,3	<a href="#">100BA4303</a>		<a href="#">100BA4317</a>

# BATTERY CONNECTORS



## POWERPOLE CONNECTORS PP75



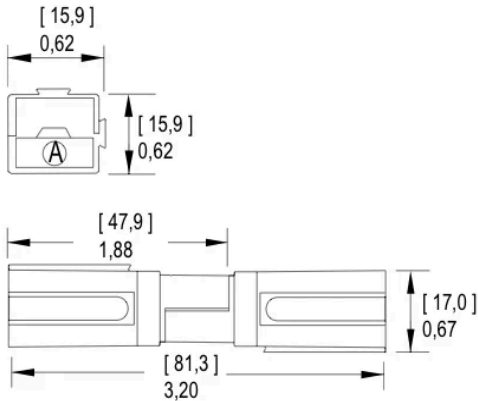
**Technical data:**

- UL Current rating: 75 A\*
- UL Voltage ratings: 600 V\*
- Contact barrel wire size: #6 to #16 AWG, 13,3 to 1,3 mm<sup>2</sup>
- Maximum wire insulation diameter: 0,437 inches, 11,10 mm<sup>2</sup>
- AVG contact resistance: 200 mΩ
- Insulation withstanding test voltage: 2200 VAC
- Contact retention force: 50 lbf
- Life:
  - a. No load (contact/disconnect cycles): to 10 000 A
  - b. Under load (Hot Plug 250 cycles @ 120 V): 50 A
- Avg. connection/disconnect: 5 lbf - low detent, 7 lbf - high detent
- Operating temperature range: -20 °C to 105 °C\*\*  
-4 °F to 221 °F
- Flammability rating of housing material: UL94 V-0

\* UL Rated for 75 °C largest wire or cable size

\*\* Both AC & DC Voltage

\*\*\* Contact factory for higher temperature rated connectors



Housing color	Wire AWG	mm <sup>2</sup>	REF housings only	REF Housing & 75 A contact	REF 75 A contact [1 pc]
Blue	6	13,3	<a href="#">100BA4318</a>	<a href="#">100BA4323</a>	<a href="#">100BA4328</a>
Black	6	13,3	<a href="#">100BA4319</a>	<a href="#">100BA4324</a>	<a href="#">100BA4328</a>
White	6	13,3	<a href="#">100BA4320</a>	<a href="#">100BA4325</a>	<a href="#">100BA4328</a>
Green	6	13,3	<a href="#">100BA4321</a>	<a href="#">100BA4326</a>	<a href="#">100BA4328</a>
Red	6	13,3	<a href="#">100BA4322</a>	<a href="#">100BA4327</a>	<a href="#">100BA4328</a>

POWERPOLE CONNECTORS





# BATTERY CONNECTORS



POWERPOLE CONNECTORS

## POWERPOLE CONNECTORS PP120



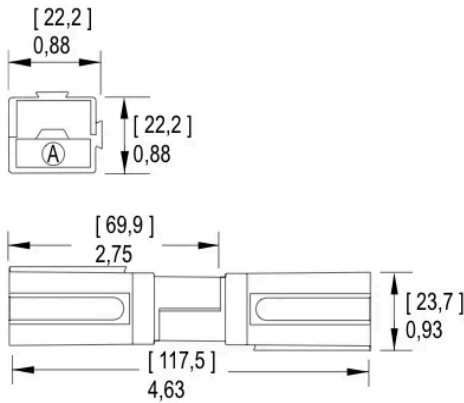
**Technical data:**

- UL Current rating: 120 A\*
- UL Voltage ratings: 600 V\*
- Contact barrel wire size: #2 to #8 AWG, 33,6 to 8,4 mm<sup>2</sup>
- Maximum wire insulation diameter: 0,600 inches, 15,24 mm<sup>2</sup>
- AVG contact resistance: 136 mΩ
- Insulation withstanding test voltage: 2200 VAC/DC
- Contact retention force: 100 lbf
- Life:
  - a. No load (contact/disconnect cycles): to 10 000 A
  - b. Under load (Hot Plug 250 cycles @ 120 V): 60 A
- Avg. connection/disconnect: 8 lbf
- Operating temperature range: -20 °C to 105 °C\*\*  
-4 °F to 221 °F
- Flammability rating of housing material: UL94 V-0

\* UL Rated for 65 °C largest wire or cable size

\*\* Both AC & DC Voltage

\*\*\* Contact factory for higher temperature rated connectors



Housing color	Wire AWG	mm <sup>2</sup>	REF housings only	REF Housing & 120 A contact	REF 120 A contact [1 pc]
Blue	2	33,6	<a href="#">100BA4329</a>	<a href="#">100BA4334</a>	<a href="#">100BA4339</a>
Black	2	33,6	<a href="#">100BA4330</a>	<a href="#">100BA4335</a>	<a href="#">100BA4339</a>
White	2	33,6	<a href="#">100BA4331</a>	<a href="#">100BA4336</a>	<a href="#">100BA4339</a>
Red	2	33,6	<a href="#">100BA4332</a>	<a href="#">100BA4337</a>	<a href="#">100BA4339</a>
Green	2	33,6	<a href="#">100BA4333</a>	<a href="#">100BA4338</a>	<a href="#">100BA4339</a>

# BATTERY CONNECTORS



## POWERPOLE CONNECTORS PP180



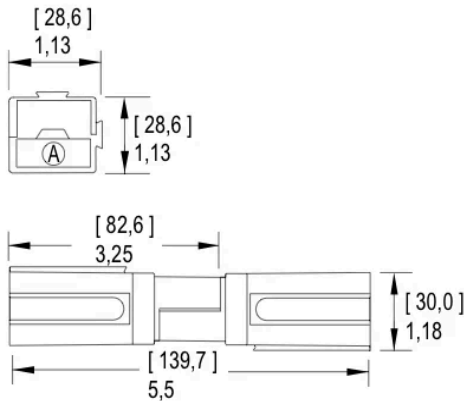
**Technical data:**

- UL Current rating: 180 A\*
- UL Voltage ratings: 600 V\*
- Contact barrel wire size: 1/0 to #10 AWG, 53,5 to 5,3 mm<sup>2</sup>
- Maximum wire insulation diameter: 0,900 inches, 22,86 mm<sup>2</sup>
- AVG contact resistance: 100 mΩ
- Insulation withstanding test voltage: 2200 VAC
- Contact retention force: 170 lbf
- Life:
  - a. No load (contact/disconnect cycles): to 10 000 A
  - b. Under load (Hot Plug 250 cycles @ 120 V): 75 A
- Avg. connection/disconnect: 20 lbf
- Operating temperature range: -20 °C to 105 °C\*\*  
-4 °F to 221 °F
- Flammability rating of housing material: UL94 V-0

\* UL Rated for 65 °C largest wire or cable size

\*\* Both AC & DC Voltage

\*\*\* Contact factory for higher temperature rated connectors



POWERPOLE CONNECTORS

Housing color	Wire AWG	mm <sup>2</sup>	REF housings only	REF Housing & 180 A contact	REF 180 A contact [1 pc]
Blue	1/0	53,5	<a href="#">100BA4340</a>	<a href="#">100BA4345</a>	<a href="#">100BA4350</a>
Black	1/0	53,5	<a href="#">100BA4341</a>	<a href="#">100BA4346</a>	<a href="#">100BA4350</a>
White	1/0	53,5	<a href="#">100BA4342</a>	<a href="#">100BA4347</a>	<a href="#">100BA4350</a>
Red	1/0	53,5	<a href="#">100BA4343</a>	<a href="#">100BA4348</a>	<a href="#">100BA4350</a>
Green	1/0	53,5	<a href="#">100BA4344</a>	<a href="#">100BA4349</a>	<a href="#">100BA4350</a>