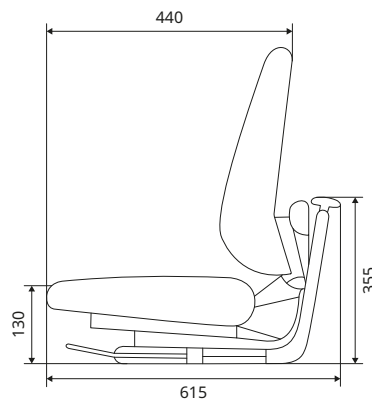
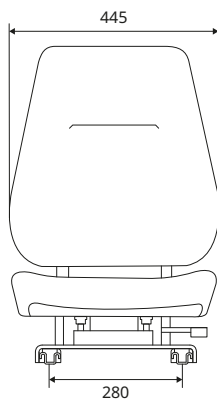




07.
BE-GE

BE-GE 80-16



BE-GE

- Small forklift seat with switch and headrest
- Mechanical suspension
- Weight adjustment: 60-130 kg
- Used on BT

COMPLETE SEATS

	REF PVC	REF Fabric
Seat + switch	147TA4103	136TA1183

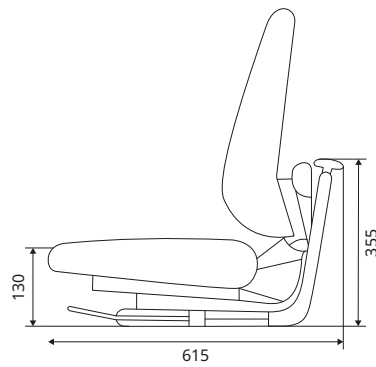
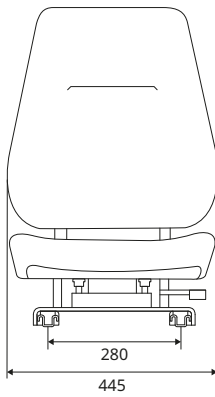
SPARE AND OPTIONAL PARTS

	REF PVC	REF Fabric	REF General
Seat cushion	147TA4377	147TA4318	
Backrest cushion	147TA4317	147TA4378	
Headrest	147TA4379	147TA4320	
Switch			145TA9974

BE-GE 80-17 (SEAT BACK TILTABLE 15 DEGREES)



BE-GE



- Small forklift seat with switch, headrest, tiltable 15 degrees back and LH controls
- Mechanical suspension
- Weight adjustment: 60-130 kg
- Used on BT

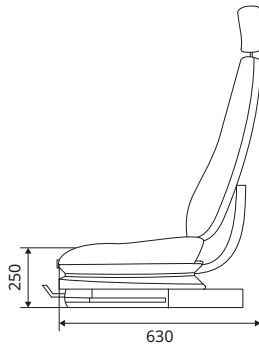
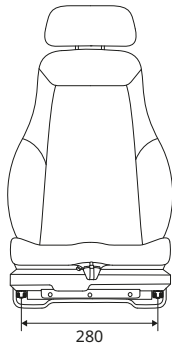
COMPLETE SEATS

	REF PVC	REF Fabric
Seat + switch	166TA8783	166TA8784

SPARE AND OPTIONAL PARTS

	REF PVC	REF Fabric	REF General
Seat cushion	147TA4382	147TA4383	
Backrest cushion	147TA4384	147TA4386	
Headrest	147TA4379	147TA4320	
Switch			145TA9974

BE-GE 80-18A HB (HIGH BACK)



BE-GE

- Small forklift seat with switch and headrest
- Mechanical suspension
- Weight adjustment: 60-130 kg
- Used on BT

COMPLETE SEATS

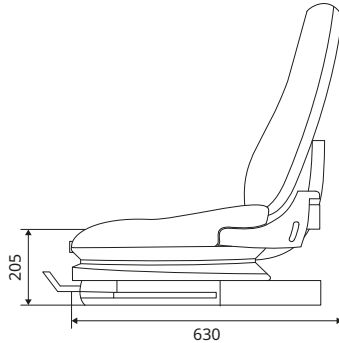
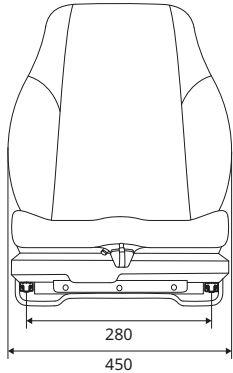
	REF PVC	REF Fabric
Seat + switch + seat belt (high back)	147TA4388	
Seat + switch + armrests + seat belt		147TA4344

SPARE AND OPTIONAL PARTS

	REF PVC	REF Fabric	REF General
Seat cushion without tilt	147TA4400	147TA4321	
Seat cushion with tilt	147TA4525	147TA4526	
Backrest cushion	147TA4535	147TA4322	
Headrest	147TA4542	147TA5343	
Switch (mechanical breaker)			147TA4325
Switch (microswitch only)			110TA8981
Armrest kit			147TA4556
Armrest kit (support kit only)			147TA4328
ALR seat belt (black)			165TA2906

All dimensions in mm.

BE-GE 80-18A LB (LOW BACK)



BE-GE

- Small forklift seat with switch and headrest
- Mechanical suspension
- Weight adjustment: 60-130 kg
- Used on BT

COMPLETE SEATS

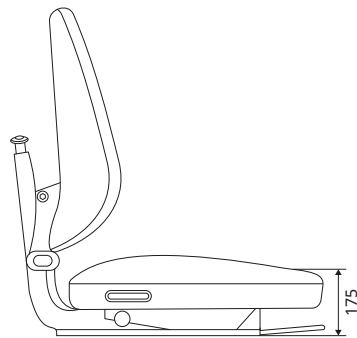
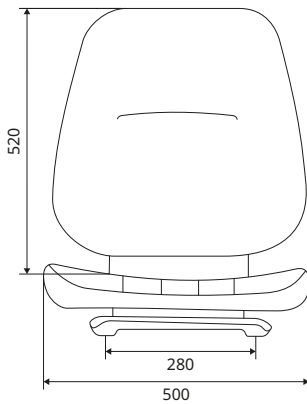
	REF Fabric
Seat + switch (low back)	147TA4390

SPARE AND OPTIONAL PARTS

	REF PVC	REF Fabric	REF General
Seat cushion without tilt		147TA4321	
Seat cushion with tilt	147TA4525	147TA4526	
Seat cushion	150TA9665		
Headrest	147TA4400	147TA4536	
Switch (Mechanical breaker)			147TA4325
Switch (microswitch only)			110TA8981
Armrest kit			147TA4556
Armrest kit (support kit only)			147TA4328
ALR seat belt (black)			144TA8794

All dimensions in mm.

BE-GE 81-16 WIDE CUSHIONS



BE-GE

- Universal forklift seat with switch and prepared for headrest
- Mechanical suspension
- Weight adjustment: 60-130 kg

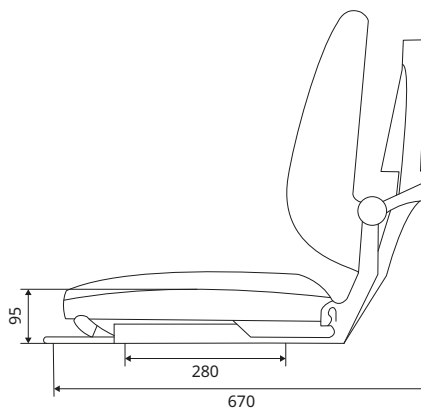
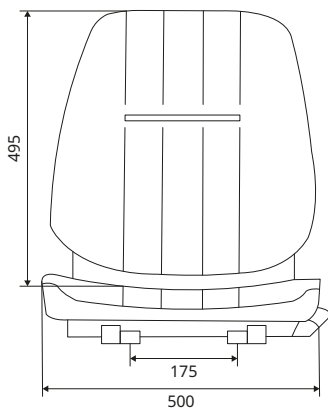
COMPLETE SEATS

	REF PVC	REF Fabric
Seat + switch	147TA4392	147TA4394

SPARE AND OPTIONAL PARTS

	REF PVC	REF Fabric	REF General
Seat cushion	147TA4519	147TA4522	
Backrest cushion	147TA4527	147TA4537	
Headrest	147TA4544	147TA4545	
Armrest kit			165TA9648
Switch			145TA9974
Armrest kit			147TA4549
ALR seat belt (blue)			147TA4329

BE-GE 81-36 WIDE CUSHIONS



BE-GE

- Universal forklift seat with switch
- Mechanical suspension
- Weight adjustment: 50-150 kg

COMPLETE SEATS

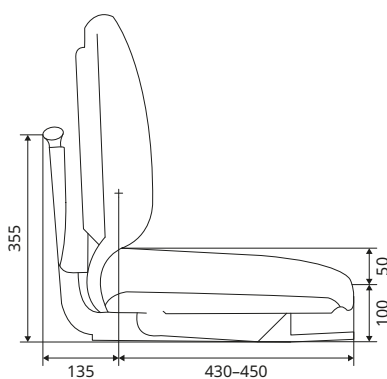
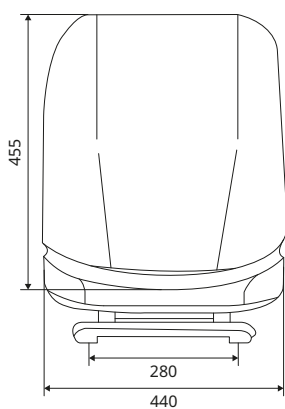
	REF PVC	REF Fabric
Seat + switch	Not available	Not available

SPARE AND OPTIONAL PARTS

	REF PVC	REF Fabric	REF General
Seat cushion RH	147TA4520	147TA4523	
Backrest cushion	147TA4538	147TA4539	
Switch			110TA8981 147TA4549

All dimensions in mm.

BE-GE 84-16 NARROW CUSHIONS



BE-GE

- Small forklift seat with switch
- Mechanical suspension
- Weight adjustment: 50-150 kg

COMPLETE SEATS

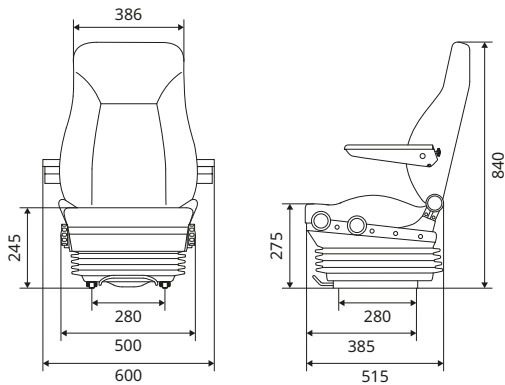
	REF PVC	REF Fabric
Seat + switch	147TA4393	147TA4395

SPARE AND OPTIONAL PARTS

	REF PVC	REF Fabric	REF General
Seat cushion	147TA4521	147TA4524	
Backrest cushion	147TA4540	147TA4541	
Slide rails			165TA9648
Switch			145TA9974
ALR seat belt (blue)			147TA4329

All dimensions in mm.

BE-GE 92-00



BE-GE

- Universal forklift construction seat
- Seat back height: 640 mm
- Mechanical suspension
- Weight adjustment: 50–150 kg
- Used on Kalmar

COMPLETE SEATS

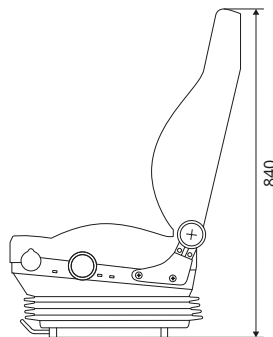
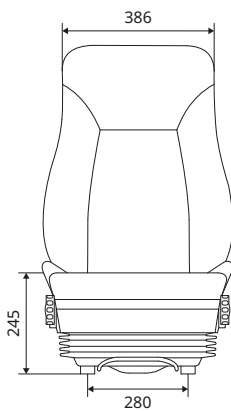
	REF PVC	REF Fabric
Seat	147TA4352	147TA4353
Seat + headrest + armrest + seat belt		147TA4399
Seat + switch + armrest + buzzer		147TA4398
Seat + armrest		139TA6057
Seat + 3-point seat belt LR	147TA4396	147TA4397

SPARE AND OPTIONAL PARTS

	REF PVC	REF Fabric	REF General
Seat cushion foam with contact plate			147TA4333
Seat cover kit	147TA4330	144TA3691	
Mounting set for seat cushion	166TA6011		
Backrest cushion	147TA4334	144TA3692	
Headrest	147TA4557	147TA4335	
Slide rails kit: 315 mm			147TA4339
Switch			147TA4338
Armrest kit			147TA4359
3-point ELR LH seat belt (grey)			139TA6068
4-point seat belt			147TA4337
ALR seat belt (black)			147TA4336
Seat belt mounting kit			147TA4563

All dimensions in mm.

BE-GE 91-00



BE-GE

- Universal forklift construction seat
- Air suspension
- Weight adjustment: 50–150 kg
- Used on Kalmar

COMPLETE SEATS

	REF PVC	REF Fabric
Seat	147TA4615	
Seat + with rail set		147TA4361
Seat + headrest + armrest		147TA4616
Seat (12 V)		147TA4617
Seat (24 V)		147TA4362

SPARE AND OPTIONAL PARTS

	REF PVC	REF Fabric	REF General
Seat cushion cover + seat foam without contact plate		147TA4332	
Seat cushion foam with contact plate	147TA4333	147TA4333	
Seat cover kit	147TA4330	144TA3691	
Backrest cushion	147TA4334	144TA3692	
Headrest		147TA4335	
Headrest 2-way	147TA4557		
Slide rails: 315 mm			147TA4339
Switch			147TA4338
Armrest kit			147TA4359
3-point ELR LH seat belt (grey)			139TA6068
4-point seat belt			147TA4337
ALR seat belt (black)			147TA4336
Seat belt mounting kit			147TA4563
Compressor kit (12 V)			165TA9650
Compressor kit (24 V)			139TA6070
Protection cover backrest on cloth with PVC sidewings	147TA4562		

All dimensions in mm.