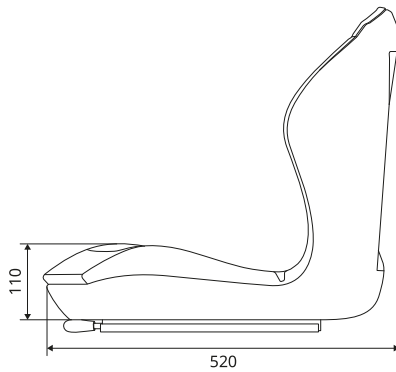
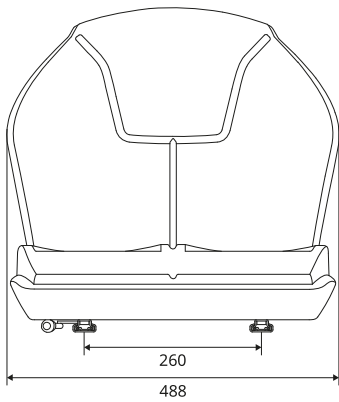


06.  
**COBO GROUP**

### PS48



- Universal seat pan with slide rails

#### COMPLETE SEATS

REF  
PVC

Seat pan + switch

[125TA6328](#)

#### SPARE AND OPTIONAL PARTS

Slide rails: 320 mm

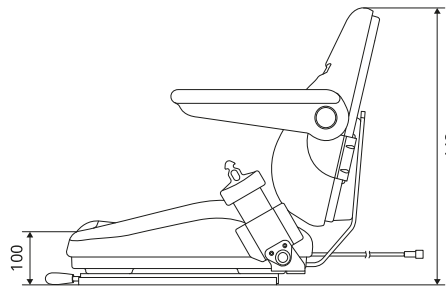
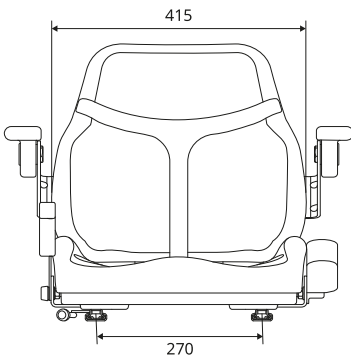
Switch

REF  
General

[145TA2750](#)

[110TA9013](#)

**GT62**



- Universal seat pan with slide rails
- With drain hole
- Used on Hyster/Yale

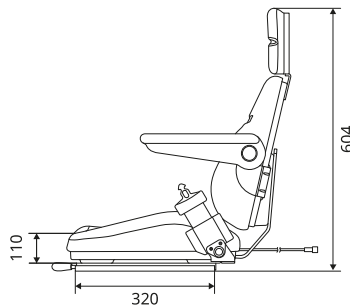
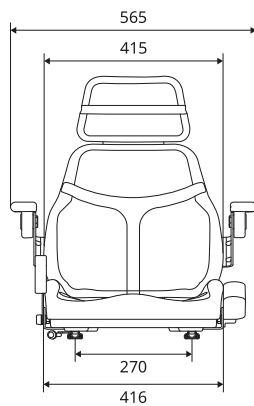
**COMPLETE SEATS**

	REF
Seat pan	<a href="#">145TA2751</a>

**SPARE AND OPTIONAL PARTS**

	REF
Slide rails: 320 mm	<a href="#">General 145TA2750</a>

### SC76



- Universal non-suspended seat top with headrest, armrests, switch (OPS) and seat belt
- Used on OMG

#### COMPLETE SEATS

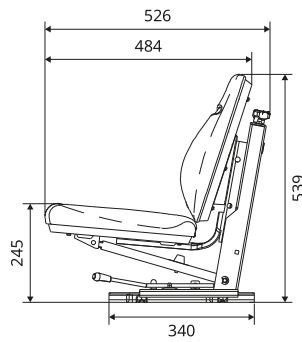
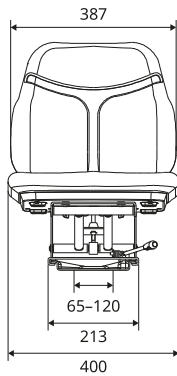
	REF PVC	REF Fabric
Seat + switch + seat belt	<a href="#">145TA2758</a>	On request

#### SPARE AND OPTIONAL PARTS

	REF PVC	REF Fabric	REF General
Seat cushion + switch	<a href="#">145TA9272</a>	On request	
Backrest cushion	<a href="#">145TA9273</a>	On request	
Headrest	<a href="#">145TA9278</a>	On request	
Armrest LH			<a href="#">145TA9276</a>
Armrest RH			<a href="#">145TA9277</a>
ELR LH seat belt (black)			<a href="#">145TA9275</a>

All dimensions in mm.

## SC74/M20



- Universal forklift seat
- Mechanical suspension
- Weight adjustment: 50–120 kg

### COMPLETE SEATS

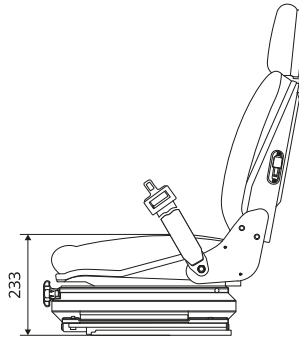
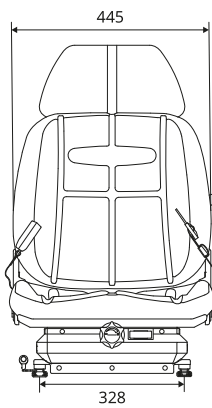
	REF
Seat	<a href="#">144TA3654</a>
Seat + switch	<a href="#">145TA2826</a>

### SPARE AND OPTIONAL PARTS

	REF
Seat cushion	<a href="#">144TA3655</a>
Seat cushion + switch	<a href="#">166TA7979</a>
Backrest cushion	<a href="#">166TA6017</a>

All dimensions in mm.

### SC47/M99



- Universal forklift seat with static seat belt and headrest
- Mechanical suspension
- Weight adjustment: 50–120 kg
- Used on Ausa

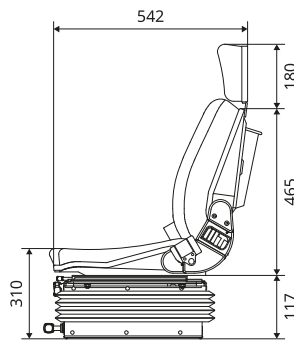
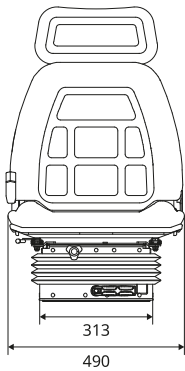
#### COMPLETE SEATS

	REF PVC
Seat + seat belt	<a href="#">145TA2837</a>

#### SPARE AND OPTIONAL PARTS

	REF PVC	REF General
Seat cushion	<a href="#">145TA9367</a>	
Backrest cushion	<a href="#">145TA9368</a>	
Headrest	<a href="#">145TA9370</a>	
Static seat belt		<a href="#">145TA9369</a>

## SC90/M97



- Mechanical suspended seat with seat belt
- Weight adjustment: 50–130 kg
- Used on Merlo

### COMPLETE SEATS

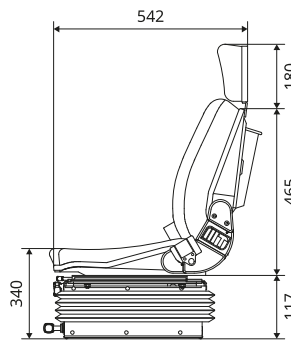
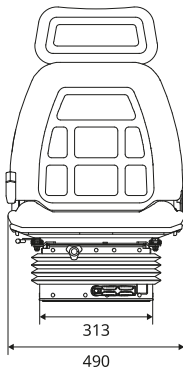
	REF Fabric
Seat + document holder	<a href="#">145TA2841</a>

### SPARE AND OPTIONAL PARTS

	REF Fabric	REF General
Seat cushion	<a href="#">145TA9371</a>	
Backrest cushion	<a href="#">145TA9372</a>	
Headrest	<a href="#">145TA9375</a>	
Document holder		On request
ALR seat belt (black)		<a href="#">106TA5147</a>

All dimensions in mm.

### SC90/M293



- Mechanical suspended seat with seat belt
- Weight adjustment: 50–120 kg
- Used on JLG

#### COMPLETE SEATS

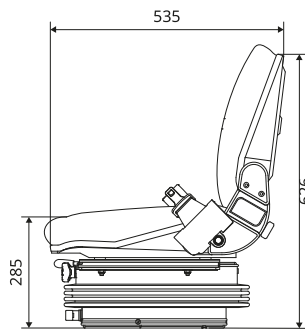
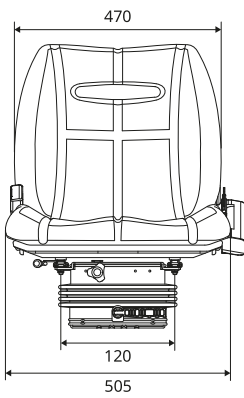
	REF PVC
Seat + seat belt	<a href="#">145TA2847</a>

#### SPARE AND OPTIONAL PARTS

	REF PVC	REF General
Seat cushion	<a href="#">145TA9376</a>	
Backrest cushion	<a href="#">145TA9377</a>	
Headrest	<a href="#">165TA9647</a>	
ELR LH seat belt (black)		<a href="#">145TA9275</a>



## SC95/M91



- Mechanical suspended seat with seat belt
- Weight adjustment: 50–120 kg
- Used on Genie/Terex

### COMPLETE SEATS

	REF PVC
Seat + seat belt	<a href="#">145TA9378</a>

### SPARE AND OPTIONAL PARTS

	REF PVC	REF General
Seat cushion	<a href="#">145TA9382</a>	
Backrest cushion	<a href="#">145TA9383</a>	
ALR seat belt (black)		<a href="#">106TA5147</a>