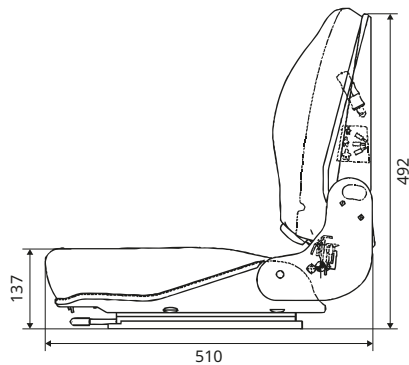
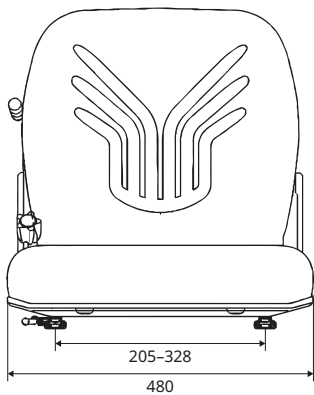




02.  
**GRAMMER**

## B12



- Universal forklift seat
- Semi-suspended seat
- 3 step weight adjustment (50–120kg)
- Backrest angle adjustment

### COMPLETE SEATS

	REF PVC	REF Old fabric
Seat	<a href="#">126TA6087</a>	<a href="#">165TA9467</a>
Seat + switch	<a href="#">126TA6088</a>	
Seat + switch + seat belt	<a href="#">151TA2331</a>	<a href="#">166TA7984</a>



PVC

### SPARE AND OPTIONAL PARTS

	REF PVC	REF Old fabric	REF General
Seat cushion	<a href="#">165TA9470</a>	<a href="#">165TA7506</a>	<a href="#">147TA3451</a>
Backrest cushion	<a href="#">141TA5249</a>	<a href="#">165TA7507</a>	
Slide rails			<a href="#">147TA3451</a>
Switch			<a href="#">165TA7508*</a>
Armrest LH			<a href="#">141TA4949</a>
Armrest RH			<a href="#">141TA4950</a>
Document holder			<a href="#">141TA4954</a>
ALR seat belt (Black)			<a href="#">106TA5147</a>



Old fabric



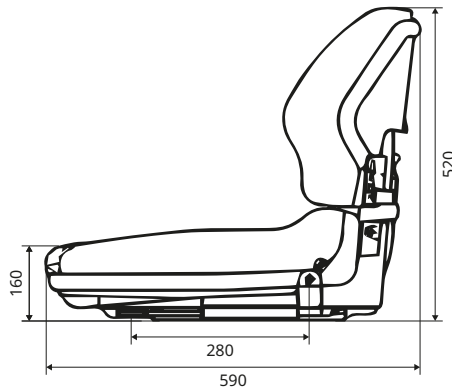
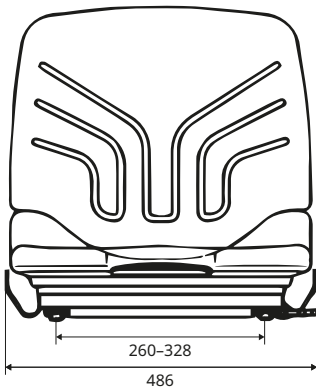
New fabric



Black fabric

\*Only as a replacement part

## MSG 20



- Universal forklift seat
- Mechanical suspension
- Weight adjustment: 50–130 kg

### COMPLETE SEATS

	REF PVC	REF Old fabric	REF New fabric	REF Black fabric
Seat	<a href="#">110TA8669</a>	<a href="#">110TA8670</a>	On request	<a href="#">116TA6080</a>
Seat + switch	<a href="#">110TA8671</a>	On request	<a href="#">144TA6912</a>	On request
Seat + switch + document holder + seat belt	<a href="#">128TA4161</a>	On request	On request	<a href="#">128TA4162</a>
Seat + switch + seat belt	<a href="#">141TA4932</a>	On request	On request	<a href="#">147TA4632</a>
Seat + armrests	<a href="#">110TA8677</a>	<a href="#">110TA8678</a>	On request	On request
Seat + seat belt	<a href="#">110TA8673</a>	On request	On request	<a href="#">110TA8674</a>



PVC



Old fabric



New fabric



Black fabric

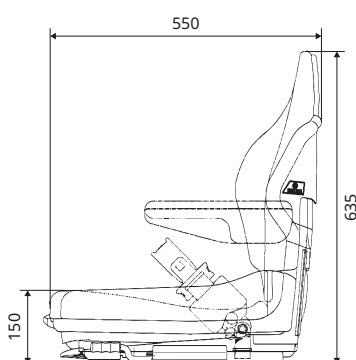
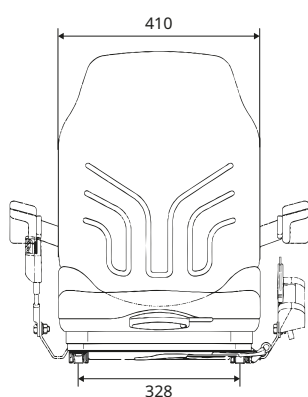
### SPARE AND OPTIONAL PARTS

	REF PVC	REF Old fabric	REF New fabric	REF Black fabric	REF General
Seat cushion	<a href="#">110TA8681</a>	<a href="#">145TA2600</a>	<a href="#">144TA3684</a>	<a href="#">110TA8682</a>	
Backrest cushion	<a href="#">165TA9533</a>	<a href="#">145TA2601</a>	<a href="#">144TA3685</a>	<a href="#">110TA8684</a>	
Seat cushion heated (12/24 V)	<a href="#">129TA7775</a>				
Seat cushion kit heated (12 V)	<a href="#">141TA4945</a>				
Seat cushion kit heated (12/24 V)*		<a href="#">141TA4943</a>	<a href="#">145TA2599</a>		
Backrest heated cushion (12 V)				<a href="#">147TA3452</a>	
Backrest heated cushion (48 V)	<a href="#">129TA7778</a>	<a href="#">141TA4944</a>	<a href="#">141TA4944</a>	<a href="#">147TA3453</a>	
Seat cushion kit heated (12 V)	<a href="#">141TA4946</a>				
Cable set heating (12 V)					<a href="#">152TA2032</a>
Cable set heating (24 V)					<a href="#">152TA2033</a>
Slide rails: 344 mm					<a href="#">165TA9599</a>
Slide rails: 345 mm					<a href="#">165TA9531</a>
Switch					<a href="#">165TA9530</a>
Switch connection plate					<a href="#">152TA2034</a>
Armrest LH					<a href="#">110TA8648</a>
Armrest RH					<a href="#">110TA8649</a>
Document holder					<a href="#">107TA7952</a>
ALR seat belt (black)					<a href="#">106TA5149</a>

\*Only available as complete kit

All dimensions in mm. For more info on the differences between the old and new fabrics see the Nice to know chapter.

## MSG 20 NARROW



- Universal forklift seat
- Mechanical suspension
- Weight adjustment: 50–130 kg

### COMPLETE SEATS

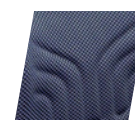
	REF PVC	REF New fabric
Seat	<a href="#">165TA9538</a>	<a href="#">165TA9534</a>
Seat + switch	<a href="#">165TA9539</a>	<a href="#">144TA3683</a>
Seat heated (12 V) + switch	<a href="#">129TA7738</a>	
Seat heated (24 V) + switch	<a href="#">128TA4158</a>	
Seat heated (48 V) + switch	<a href="#">128TA4159</a>	
Seat + switch + seat belt	<a href="#">110TA8639</a>	<a href="#">145TA2602</a>
Seat + seat belt	<a href="#">110TA8637</a>	<a href="#">147TA5079</a>



PVC



Old fabric



New fabric



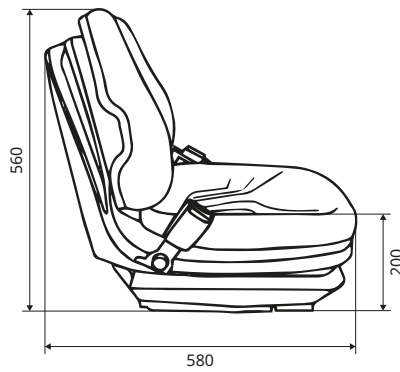
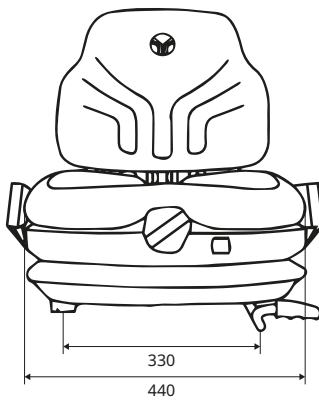
Black fabric

### SPARE AND OPTIONAL PARTS

	REF PVC	REF Old fabric	REF New fabric	REF General
Seat cushion	<a href="#">110TA8641</a>	<a href="#">145TA2687</a>	<a href="#">145TA2603</a>	
Backrest cushion	<a href="#">110TA8643</a>	<a href="#">145TA2688</a>	<a href="#">145TA2604</a>	
Seat cushion kit heated (12/24 V)	<a href="#">141TA4947</a>	<a href="#">141TA4943</a>	<a href="#">145TA2599</a>	
Seat cushion kit heated (48 V)	<a href="#">141TA4948</a>	<a href="#">141TA4944</a>	<a href="#">165TA2909</a>	
Slide rails: 315 mm				<a href="#">123TA7554</a>
Switch				<a href="#">165TA9530</a>
Switch connection plate				<a href="#">152TA2034</a>
Armrest LH				<a href="#">110TA8648</a>
Armrest RH				<a href="#">110TA8649</a>
Document holder				<a href="#">107TA7952</a>
ALR seat belt (black)				<a href="#">106TA5149</a>

All dimensions in mm. For more info on the differences between the old and new fabrics see the Nice to know chapter.

## MSG 30



- Universal forklift seat
- Mechanical suspension
- Weight adjustment: 50–130 kg

### COMPLETE SEATS

	REF
Seat	PVC Not available

### SPARE AND OPTIONAL PARTS

	REF PVC	REF Old fabric	REF Black fabric	REF General
Seat cushion	<a href="#">110TA8731</a>	<a href="#">147TA3454</a>	<a href="#">110TA8732</a>	
Backrest cushion	<a href="#">110TA3733</a>		<a href="#">110TA8734</a>	
Slide rails: 325 mm				<a href="#">123TA7554</a>
Switch				<a href="#">110TA8725</a>
Armrest LH				<a href="#">110TA8737</a>
Armrest RH				<a href="#">110TA8738</a>
Static seat belt (black)				<a href="#">110TA8685</a>
MUR seat belt				<a href="#">139TA5789</a>



PVC



Old fabric



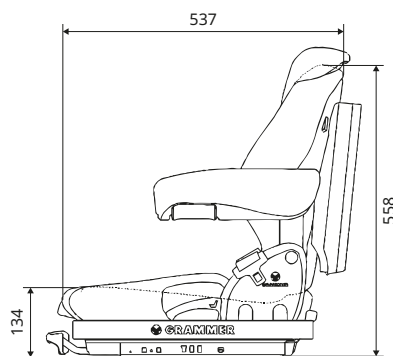
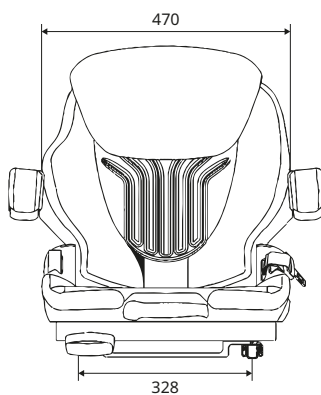
New fabric



Black fabric

All dimensions in mm. For more info on the differences between the old and new fabrics see the Nice to know chapter.

## PRIMO M (MSG65/521)



- Universal forklift seat
- Mechanical suspension
- Weight adjustment: 45–170 kg

### COMPLETE SEATS

	REF PVC	REF Old fabric	REF New fabric
Seat	<a href="#">163TA7980</a>	On request	<a href="#">165TA9545</a>
Seat + switch + seat belt	<a href="#">139TA6029</a>	<a href="#">123TA7627</a>	<a href="#">145TA2609</a>



PVC

### SPARE AND OPTIONAL PARTS

	REF PVC	REF Old fabric	REF New fabric	REF Black fabric	REF General
Seat cushion	<a href="#">125TA6332</a>	<a href="#">125TA6335</a>	<a href="#">144TA3687</a>	<a href="#">165TA9541</a>	
Backrest cushion	<a href="#">125TA6333</a>	<a href="#">125TA6336</a>	<a href="#">144TA3688</a>	<a href="#">145TA2614</a>	
Headrest	<a href="#">128TA4164</a>		<a href="#">147TA5195</a>		
Headrest height adjustable			<a href="#">144TA3690</a>		
Seat cushion heated (12/24 V)	<a href="#">141TA4984</a>	<a href="#">141TA4982</a>	<a href="#">145TA2608</a>	<a href="#">165TA9542</a>	
Seat cushion heated (48 V)	<a href="#">141TA4989</a>	<a href="#">141TA4991</a>	<a href="#">141TA4991</a>		
Backrest cushion heated (12/24 V)	<a href="#">141TA4985</a>	<a href="#">141TA4983</a>	<a href="#">145TA2612</a>	<a href="#">165TA9540</a>	
Backrest cushion heated (48 V)	<a href="#">141TA4990</a>	<a href="#">141TA4992</a>	<a href="#">141TA4992</a>		
Cable adapter heating					<a href="#">141TA5087</a>
Cable set heating (12 V)					<a href="#">141TA4978</a>
Cable set heating (24 V)					<a href="#">141TA4994</a>
Cable set heating (48 V)					<a href="#">141TA4995</a>
Cable adapter heating					<a href="#">141TA4997</a>
Slide rails: 315 mm			<a href="#">144TA3689</a>		
Slide rails: 325 mm			<a href="#">165TA9543</a>		
Switch					<a href="#">141TA4996</a>
Armrest LH					<a href="#">141TA4973</a>
Armrest RH					<a href="#">141TA4961</a>
Document holder (storage net)					<a href="#">141TA5001</a>
Document holder					<a href="#">141TA4913</a>
ELR seat belt (black)					<a href="#">144TA6914</a>



Old fabric



New fabric

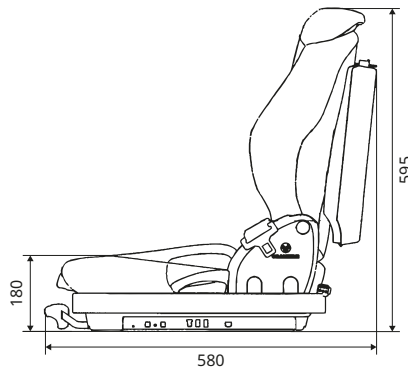
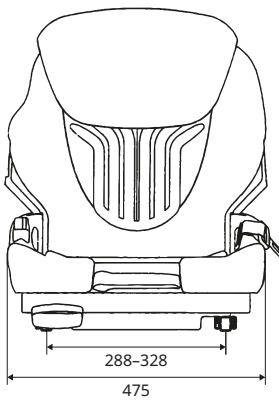


Black fabric

All dimensions in mm. For more info on the differences between the old and new fabrics see the Nice to know chapter.



## PRIMO XM (MSG65/521)



- Universal forklift seat with armrests and headrest
- Mechanical suspension
- Weight adjustment: 45–170 kg

### COMPLETE SEATS

	REF PVC	REF Old fabric	REF New fabric
Seat		<a href="#">123TA7627</a>	
Seat + switch + armrests + seat belt	<a href="#">145TA2610</a>		<a href="#">145TA2611</a>
Seat + switch + seat belt	<a href="#">141TA4988</a>		<a href="#">144TA3686</a>



PVC

### SPARE AND OPTIONAL PARTS

	REF PVC	REF Old fabric	REF New fabric	REF Black fabric	REF General
Seat cushion	<a href="#">125TA6332</a>	<a href="#">125TA6335</a>	<a href="#">144TA3687</a>	<a href="#">165TA9541</a>	
Backrest cushion	<a href="#">125TA6333</a>	<a href="#">125TA6336</a>	<a href="#">144TA3688</a>	<a href="#">145TA2614</a>	
Headrest	<a href="#">141TA4987</a>	<a href="#">141TA4965</a>	<a href="#">144TA3690</a>		
Seat cushion heated (12/24 V)	<a href="#">141TA4984</a>	<a href="#">141TA4982</a>	<a href="#">145TA2608</a>	<a href="#">165TA9542</a>	
Seat cushion heated (48 V)	<a href="#">141TA4989</a>		<a href="#">141TA4991</a>		
Backrest cushion heated (12/24 V)	<a href="#">141TA4985</a>	<a href="#">141TA4983</a>	<a href="#">145TA2612</a>	<a href="#">165TA9540</a>	
Backrest cushion heated (48 V)	<a href="#">141TA4990</a>		<a href="#">141TA4992</a>		
Cable set heating (12 V)					<a href="#">141TA4978</a>
Cable set heating (24 V)					<a href="#">141TA4986</a>
Cable set heating (48 V)					<a href="#">141TA4995</a>
Cable adapter heating					<a href="#">141TA4997</a>
Slide rails: 315 mm					<a href="#">144TA3689</a>
Switch					<a href="#">141TA4996</a>
Armrest LH (A60 x 230 mm), adjustable angle					<a href="#">141TA4962</a>
Armrest RH (A60 x 320 mm)					<a href="#">141TA4961</a>
ELR LH seat belt (black) with hardware					<a href="#">165TA9604</a>



Old fabric



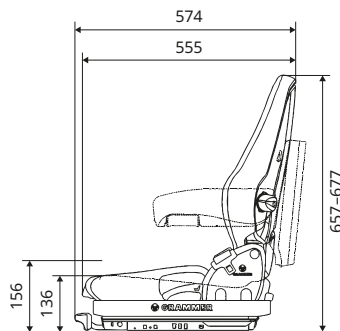
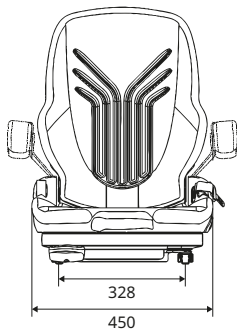
New fabric



Black fabric

All dimensions in mm. For more info on the differences between the old and new fabrics see the Nice to know chapter.

## PRIMO XXM (MSG65/522)



- Universal forklift seat
- Mechanical suspension
- Weight adjustment: 45–170 kg

### COMPLETE SEATS

	REF PVC	REF Old fabric	REF New fabric
Seat		<a href="#">139TA6035</a>	
Seat + switch + seat belt	<a href="#">139TA6030</a>		<a href="#">145TA2615</a>



PVC

### SPARE AND OPTIONAL PARTS

	REF PVC	REF Old fabric	REF New fabric	REF General
Seat cushion	<a href="#">165TA9477</a>	<a href="#">141TA5252</a>	<a href="#">145TA2616</a>	
Backrest cushion	<a href="#">141TA5253</a>	<a href="#">141TA5251</a>	<a href="#">145TA2617</a>	
Headrest	<a href="#">141TA4987</a>	<a href="#">141TA4965</a>	<a href="#">144TA3690</a>	
Seat cushion heated (12/24 V)	<a href="#">125TA6332</a>	<a href="#">141TA4974</a>	<a href="#">145TA2618</a>	
Seat cushion heated (48 V)	<a href="#">147TA3457</a>	<a href="#">147TA3459</a>	<a href="#">147TA3459</a>	
Backrest cushion heated (12 V)	<a href="#">141TA4977</a>			
Backrest cushion heated (12/24 V)	<a href="#">147TA3458</a>	<a href="#">141TA4975</a>	<a href="#">145TA2619</a>	
Backrest cushion heated (48 V)		<a href="#">147TA3460</a>		
Cable set heating (12 V)				<a href="#">141TA4978</a>
Cable set heating (24 V)				<a href="#">141TA4986</a>
Cable set heating (48 V)				<a href="#">141TA4995</a>
Cable adapter heating				<a href="#">141TA4997</a>
Slide rails: 315 mm				<a href="#">144TA3689</a>
Switch				<a href="#">141TA4996</a>
Armrest LH (A60 x 230 mm), adjustable angle				<a href="#">141TA4962</a>
Armrest RH (A60 x 320 mm), adjustable angle				<a href="#">141TA4961</a>
Document holder				<a href="#">141TA4913</a>
Duo sensitive ELR RH seat belt (black)				<a href="#">141TA4999</a>
ELR LH seat belt (black) with hardware				<a href="#">165TA9604</a>
ELR LH seat belt (black) with switch				<a href="#">142TA1538</a>



Old fabric



New fabric

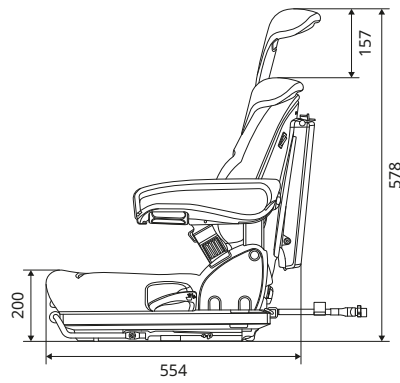
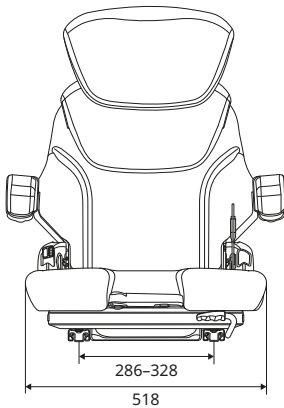


Black fabric

All dimensions in mm. For more info on the differences between the old and new fabrics see the Nice to know chapter.



## MSG65/531



- Universal forklift seat
- Mechanical suspension
- Weight adjustment: 45–170 kg

### COMPLETE SEATS

	REF PVC
Seat + seat belt	<a href="#">145TA2620</a>



PVC

### SPARE AND OPTIONAL PARTS

	REF PVC	REF Old fabric	REF General
Seat cushion	<a href="#">145TA2621</a>		
Backrest cushion	<a href="#">145TA2622</a>		
Headrest	<a href="#">141TA4987</a>	<a href="#">141TA4965</a>	
Head rest kit	<a href="#">147TA5210</a>		
Slide rails: 315 mm			<a href="#">144TA3689</a>
Switch			<a href="#">147TA5211</a>
Armrest LH			<a href="#">141TA4973</a>
Armrest RH (A60 x mm)			<a href="#">141TA4961</a>
Document holder			<a href="#">141TA4913</a>
Duo sensitive ELR LH seat belt (black)			<a href="#">141TA4999</a>
ELR LH seat belt (black)			<a href="#">142TA1538</a>



Old fabric



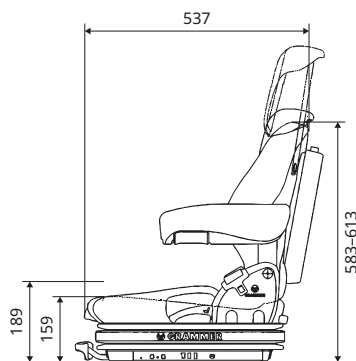
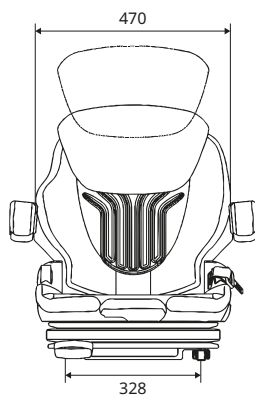
New fabric



Black fabric

All dimensions in mm. For more info on the differences between the old and new fabrics see the Nice to know chapter.

## PRIMO L (MSG75/521)



- Universal forklift seat
- Air suspension
- Weight adjustment: 45–170 kg

### COMPLETE SEATS

	REF PVC	REF Old fabric	REF New fabric
Seat (12 V) + switch + seat belt	<a href="#">125TA5082</a>		
Seat (24 V) + switch + seat belt	<a href="#">139TA6031</a>		<a href="#">145TA2689</a>
Seat (12 V) + seat belt			<a href="#">145TA2623</a>
Seat (48 V)		<a href="#">165TA9553</a>	



PVC



Old fabric



New fabric



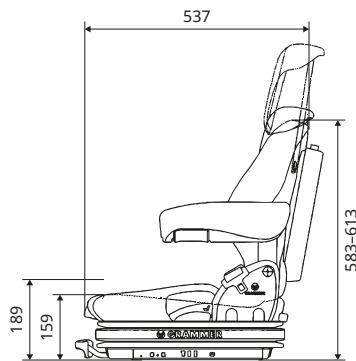
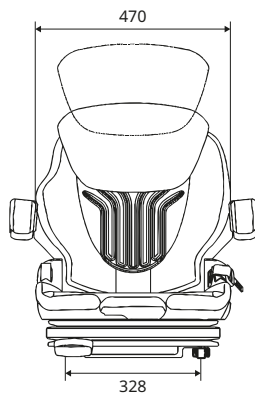
Black fabric

### SPARE AND OPTIONAL PARTS

	REF PVC	REF Old fabric	REF New fabric	REF Black fabric	REF General
Seat cushion	<a href="#">125TA6332</a>	<a href="#">125TA6335</a>	<a href="#">144TA3687</a>	<a href="#">165TA9541</a>	
Backrest cushion	<a href="#">125TA6333</a>	<a href="#">141TA4965</a>	<a href="#">144TA3688</a>	<a href="#">145TA2614</a>	
Headrest	<a href="#">128TA4164</a>	<a href="#">141TA4965</a>	<a href="#">144TA3690</a>		
Seat cushion heated (12/24 V)	<a href="#">141TA4984</a>	<a href="#">141TA4982</a>	<a href="#">145TA2608</a>	<a href="#">165TA9542</a>	
Seat cushion heated (48 V)	<a href="#">141TA4989</a>	<a href="#">141TA4991</a>			
Backrest cushion heated (12/24 V)	<a href="#">141TA4985</a>	<a href="#">141TA4983</a>	<a href="#">145TA2612</a>	<a href="#">165TA9540</a>	
Backrest cushion heated (48 V)	<a href="#">141TA4990</a>	<a href="#">141TA4992</a>			
Cable set heating (12 V)					<a href="#">141TA4978</a>
Cable set heating (24 V)					<a href="#">141TA4994</a>
Cable set heating (48 V)					<a href="#">141TA4995</a>
Cable adapter heating					<a href="#">141TA4997</a>
Slide rails: 315 mm					<a href="#">144TA3689</a>
Slide rails: 325 mm					<a href="#">165TA9543</a>
Switch					<a href="#">125TA6339</a>
Armrest LH (A60 x 230 mm), adjustable angle					<a href="#">141TA4962</a>
Armrest RH (A60 x 320 mm)					<a href="#">141TA4961</a>
Document holder					<a href="#">141TA4913</a>
ALR seat belt					<a href="#">165TA9603</a>
ELR LH seat belt (black)					<a href="#">142TA1538</a>
ELR LH seat belt (black) with switch					<a href="#">144TA6914</a>
Duo sensitive ELR LH seat belt (black)					<a href="#">141TA4998</a>
Duo sensitive ELR LH seat belt (black) with switch					<a href="#">141TA4999</a>
Compressor kit (12 V)					<a href="#">165TA9610</a>
Compressor (24 V)					<a href="#">165TA9615</a>
Compressor (48 V)					<a href="#">142TA1537</a>

All dimensions in mm. For more info on the differences between the old and new fabrics see the Nice to know chapter.

## PRIMO XL (MSG75/521)



- Universal forklift seat with headrest
- Air suspension
- Weight adjustment: 45–170 kg

### COMPLETE SEATS

	REF PVC	REF New fabric
Seat (12 V) + switch + seat belt	<a href="#">142TA1535</a>	<a href="#">165TA9555</a>
Seat (24 V) + switch + seat belt	<a href="#">139TA6033</a>	<a href="#">145TA2625</a>



PVC

### SPARE AND OPTIONAL PARTS

	REF PVC	REF New fabric	REF Black fabric	REF General
Seat cushion		<a href="#">144TA3687</a>	<a href="#">165TA9541</a>	
Backrest cushion		<a href="#">144TA3688</a>	<a href="#">145TA2614</a>	
Headrest	<a href="#">128TA4164</a>	<a href="#">144TA3690</a>		
Seat cushion heated (12/24 V)	<a href="#">141TA4984</a>	<a href="#">145TA2608</a>	<a href="#">165TA9542</a>	
Seat cushion heated (48 V)	<a href="#">141TA4989</a>			
Backrest cushion heated (12/24 V)	<a href="#">141TA4985</a>	<a href="#">145TA2612</a>	<a href="#">165TA9540</a>	
Backrest cushion heated (48 V)	<a href="#">141TA4990</a>			
Cable set heating (12 V)				<a href="#">141TA4978</a>
Cable set heating (24 V)				<a href="#">141TA4986</a>
Cable set heating (48 V)				<a href="#">141TA4995</a>
Cable adapter heating				<a href="#">141TA4997</a>
Slide rails: 315 mm				<a href="#">144TA3689</a>
Switch				<a href="#">141TA4996</a>
Armrest LH (A60 x 230 mm), adjustable angle				<a href="#">141TA4962</a>
Armrest RH (A60 x 320 mm)				<a href="#">141TA4961</a>
Document holder				<a href="#">141TA4913</a>
Duo sensitive ELR LH seat belt (black)				<a href="#">141TA4998</a>
ELR LH seat belt (black)				<a href="#">144TA6914</a>
Compressor kit (12 V)				<a href="#">165TA9610</a>
Compressor kit (24 V)				<a href="#">165TA9615</a>



Old fabric



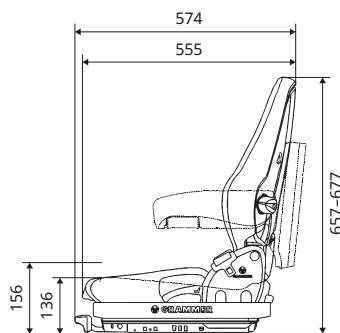
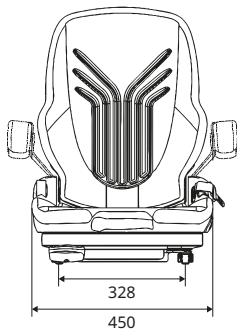
New fabric



Black fabric

All dimensions in mm. For more info on the differences between the old and new fabrics see the Nice to know chapter.

## PRIMO XXL (MSG75/522)



- Universal forklift seat
- Air suspension
- Weight adjustment: 45–170 kg

### COMPLETE SEATS

	REF PVC	REF Old fabric	REF New fabric
Seat (12 V) + switch + seat belt	<a href="#">142TA1534</a>	On request	<a href="#">145TA2626</a>
Seat (24 V) + switch + seat belt	<a href="#">151TA2988</a>	On request	<a href="#">151TA2987</a>



PVC

### SPARE AND OPTIONAL PARTS

	REF PVC	REF Old fabric	REF New fabric	REF General
Seat cushion	<a href="#">125TA6332</a>	<a href="#">125TA6335</a>	<a href="#">144TA3687</a>	
Backrest cushion	<a href="#">141TA5253</a>	<a href="#">141TA5251</a>	<a href="#">145TA2617</a>	
Headrest	<a href="#">141TA4987</a>	<a href="#">165TA9625</a>	<a href="#">147TA5195</a>	
Seat cushion heated (12/24 V)	<a href="#">125TA6332</a>	<a href="#">141TA4974</a>	<a href="#">145TA2618</a>	
Seat cushion heated (48 V)	<a href="#">147TA3457</a>	<a href="#">147TA3459</a>	<a href="#">147TA3459</a>	
Backrest cushion heated (48 V)	<a href="#">147TA3458</a>	<a href="#">147TA3460</a>	<a href="#">147TA3460</a>	
Backrest cushion heated (12/24 V)	<a href="#">141TA4977</a>	<a href="#">141TA4975</a>	<a href="#">145TA2619</a>	
Cable seat heating (12 V)				<a href="#">141TA4978</a>
Cable set heating (24 V)				<a href="#">141TA4986</a>
Cable set heating (48 V)				<a href="#">141TA4995</a>
Cable adapter heating				<a href="#">141TA4997</a>
Slide rails: 315 mm				<a href="#">144TA3689</a>
Switch				<a href="#">141TA4996</a>
Armrest LH (A60 x 230 mm), adjustable angle				<a href="#">141TA4962</a>
Armrest RH (A60 x 320 mm)				<a href="#">141TA4961</a>
Document holder				<a href="#">141TA4913</a>
Duo sensitive ELR LH seat belt (black)				<a href="#">141TA4998</a>
ELR LH seat belt (black)				<a href="#">144TA6914</a>
Compressor kit (12 V)				<a href="#">165TA9610</a>



Old fabric



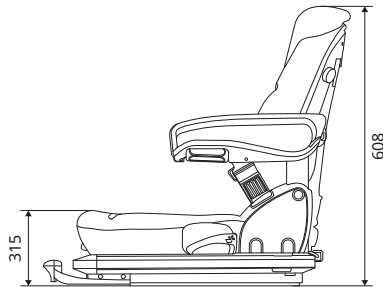
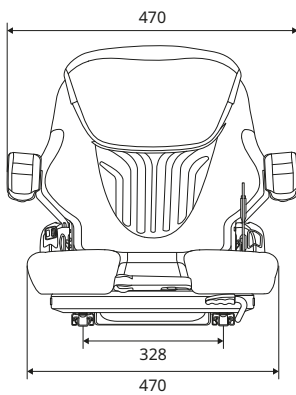
New fabric



Black fabric

All dimensions in mm. For more info on the differences between the old and new fabrics see the Nice to know chapter.

## PRIMO EL PLUS (MSG75L/731)



- Universal forklift seat with vibration directive 2002/44/BC
- Air suspension (12 V)
- Weight adjustment: 45-170 kg

### COMPLETE SEATS

	REF PVC
Seat (12 V) + switch + seat belt	<a href="#">145TA2690</a>

### SPARE AND OPTIONAL PARTS

	REF PVC	REF Old fabric	REF New fabric	REF Black fabric	REF General
Seat cushion	<a href="#">140TA1739</a>	<a href="#">141TA5244</a>	<a href="#">145TA2705</a>		
Backrest cushion	<a href="#">141TA5247</a>		<a href="#">145TA2706</a>		
Headrest	<a href="#">128TA4164</a>	<a href="#">141TA4923</a>	<a href="#">145TA2633</a>	<a href="#">141TA5065</a>	
Seat cushion heated	<a href="#">165TA9551*</a>		<a href="#">145TA2691*</a>	<a href="#">128TA4252*</a>	
Backrest cushion heated (12 V)	<a href="#">165TA9522</a>		<a href="#">145TA2692</a>	<a href="#">128TA4253</a>	
Seat cushion kit heated (12 V)				<a href="#">147TA3464</a>	
Cable adapter heating					<a href="#">141TA4997</a>
Slide rails					<a href="#">152TA2045</a>
Switch					<a href="#">145TA2693</a>
Armrest LH (A60 x 380 mm)					<a href="#">141TA4968</a>
Armrest LH (65 x 270 mm)					<a href="#">141TA4918</a>
Armrest LH (80 x 380 mm)					<a href="#">141TA4916</a>
Armrest RH (65 x 270 mm)					<a href="#">141TA4917</a>
Armrest RH (80 x 380 mm)					<a href="#">141TA4915</a>
Document holder					<a href="#">141TA4913</a>
ELR LH seat belt (black)					<a href="#">125TA6316</a>
Duo sensitive ELR seat belt LH (black)					<a href="#">141TA5017</a>
Dual ELR LH seat belt (black)					<a href="#">141TA4958</a>
Compressor kit (12 V)					<a href="#">165TA9610</a>
Compressor kit (24 V)					<a href="#">151TA2991</a>



PVC



Old fabric



New fabric



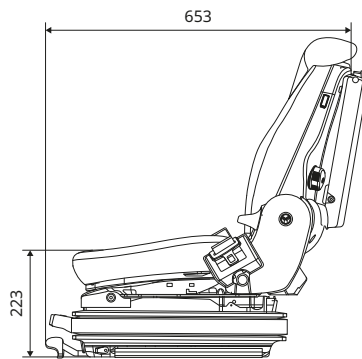
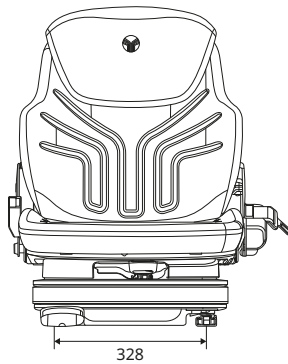
Black fabric

\*Only as replacement part

All dimensions in mm. For more info on the differences between the old and new fabrics see the Nice to know chapter.



## PRIMO XL PLUS (MSG 75G/721)



- Universal forklift seat with very low profile suspension
- Pneumatic suspension
- Weight adjustment: 45–170 kg

### COMPLETE SEATS

	REF
Seat (12 V) + switch + seat belt	<a href="#">141TA4966</a>

### SPARE AND OPTIONAL PARTS

	REF PVC	REF New fabric	REF Black fabric	REF General
Seat cushion	<a href="#">110TA8720</a>	<a href="#">141TA5246</a>	<a href="#">110TA8721</a>	
Backrest cushion	<a href="#">165TA9522</a>	<a href="#">141TA5245</a>	<a href="#">110TA8723</a>	
Headrest	<a href="#">128TA4164</a>	<a href="#">165TA9616</a>	<a href="#">141TA5065</a>	
Seat cushion heated (12/24 V)	<a href="#">145TA2701</a>	<a href="#">141TA4969*</a>		
Backrest cushion heated (12 V)	<a href="#">141TA5247</a>	<a href="#">141TA4970*</a>		
Seat cushion kit heated (12 V)	<a href="#">141TA4930</a>	<a href="#">145TA2634</a>		
Slide rails				<a href="#">152TA2045</a>
Switch				<a href="#">145TA2693</a>
Armrest LH				<a href="#">151TA2986</a>
Armrest LH (65 x 270 mm)				<a href="#">141TA4918</a>
Armrest LH (A60 x 380 mm)				<a href="#">141TA4968</a>
Armrest RH (60 x 320 mm)				<a href="#">151TA2985</a>
Armrest RH (65 x 270 mm)				<a href="#">141TA4917</a>
Armrest RH (A60 x 380 mm)				<a href="#">141TA4967</a>
Document holder				<a href="#">141TA4913</a>
ALR seat belt (black)				<a href="#">144TA8793</a>
Dual ELR LH seat belt (black)				<a href="#">141TA4958</a>
Duo sensitive ELR seat belt LH (black)				<a href="#">141TA5017</a>
Compressor kit (12 V)				<a href="#">165TA9610</a>



PVC



Old fabric



New fabric

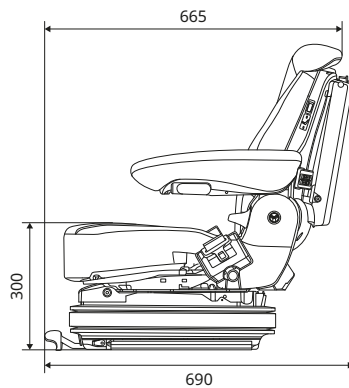
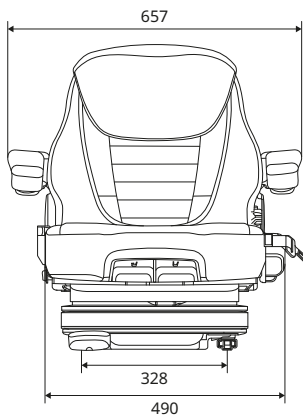


Black fabric

\*Only as replacement part

All dimensions in mm. For more info on the differences between the old and new fabrics see the Nice to know chapter.

## PRIMO EVOLUTION



- Universal forklift seat with active climate & heating vibration directive 2002/44/BC
- Air suspension (12 V)
- Weight adjustment: 45-170 kg

### COMPLETE SEATS

	REF New fabric
Seat (12 V) + switch + seat belt	<a href="#">145TA2694</a>



PVC

### SPARE AND OPTIONAL PARTS

	REF New fabric	REF General
Seat cushion	<a href="#">145TA2695</a>	
Backrest cushion	<a href="#">145TA2696</a>	
Headrest	<a href="#">145TA2697</a>	
Cable adapter heating		<a href="#">141TA4997</a>
Slide rails		<a href="#">152TA2045</a>
Switch		<a href="#">145TA2693</a>
Armrest LH (A80 x 380 mm)		<a href="#">145TA2698</a>
Armrest RH (A80 x 380 mm)		<a href="#">145TA2699</a>
Document holder		<a href="#">141TA4913</a>
Duo sensitive ELR seat belt LH (black)		<a href="#">141TA5017</a>
Dual ELR LH seat belt (black)		<a href="#">141TA4958</a>
ELR LH seat belt (black)		<a href="#">125TA6316</a>
Compressor kit (12 V)		<a href="#">165TA9610</a>



Old fabric



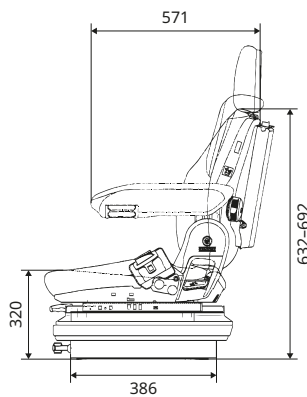
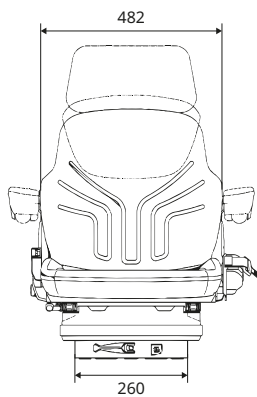
New fabric



Black fabric

All dimensions in mm. For more info on the differences between the old and new fabrics see the Nice to know chapter.

## MAXIMO M (MSG85/721)



- Universal forklift seat
- Mechanical suspension
- Weight adjustment: 45–170 kg

### COMPLETE SEATS

	REF PVC	REF New fabric	REF Black fabric
Seat	<a href="#">141TA4928</a>	<a href="#">145TA2630</a>	<a href="#">165TA9518</a>
Seat + seat belt	<a href="#">110TA8716</a>		



PVC

### SPARE AND OPTIONAL PARTS

	REF PVC	REF Old fabric	REF New fabric	REF Black fabric	REF General
Seat cushion	<a href="#">110TA8720</a>	<a href="#">141TA5246</a>	<a href="#">145TA2631</a>	<a href="#">110TA8721</a>	
Backrest cushion	<a href="#">141TA5247</a>		<a href="#">145TA2632</a>	<a href="#">165TA9519</a>	
Headrest	<a href="#">128TA4164</a>	<a href="#">141TA4923</a>	<a href="#">145TA2633</a>	<a href="#">141TA5065</a>	
Seat cushion heated (12/24 V)	<a href="#">145TA2701</a>	<a href="#">141TA4970</a>			
Backrest cushion heated (12/24 V)	<a href="#">165TA9522</a>	<a href="#">141TA4969</a>			
Seat cushion kit heated (12 V)	<a href="#">141TA4930</a>	<a href="#">141TA4929</a>	<a href="#">145TA2634</a>		
Seat cushion kit heated (12 V)			<a href="#">165TA9587</a>		
Slide rails: 280 mm					<a href="#">166TA1317</a>
Slide rails: 325 mm					<a href="#">165TA9449</a>
Slide rails: 315 mm					<a href="#">145TA2636</a>
Switch with plate					<a href="#">165TA9523</a>
Switch without plate					<a href="#">165TA9520</a>
Armrest LH (65 x 270 mm)					<a href="#">141TA4918</a>
Armrest LH (80 x 380 mm)					<a href="#">141TA4916</a>
Armrest RH (65 x 270 mm)					<a href="#">141TA4917</a>
Armrest RH (80 x 380 mm)					<a href="#">141TA4915</a>
Document holder					<a href="#">141TA4913</a>
Static seat belt					<a href="#">165TA9586</a>
ELR LH seat belt (black)					<a href="#">141TA5017</a>
Duo sensitive ELR LH seat belt (black)					<a href="#">141TA5017</a>



Old fabric



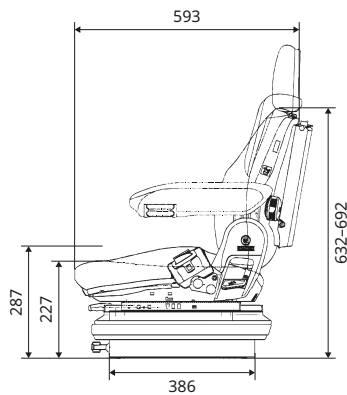
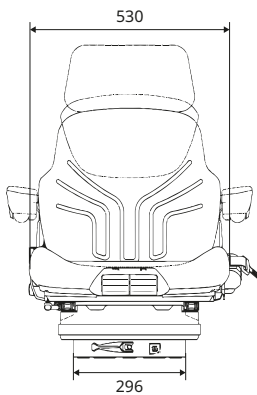
New fabric



Black fabric

All dimensions in mm. For more info on the differences between the old and new fabrics see the Nice to know chapter.

## MAXIMO XM (MSG85/731)



- Universal forklift seat
- Mechanical suspension
- Weight adjustment: 45–170 kg

### COMPLETE SEATS

	REF PVC	REF New fabric
Seat + switch + seat belt	<a href="#">139TA6026</a>	<a href="#">166TA6015</a>

### SPARE AND OPTIONAL PARTS

	REF PVC	REF Old fabric	REF New fabric	REF Black fabric	REF General
Seat cushion	<a href="#">140TA1739</a>	<a href="#">140TA1740</a>	<a href="#">145TA2705</a>		
Backrest cushion	<a href="#">110TA8722</a>		<a href="#">145TA2706</a>		
Headrest	<a href="#">128TA4164</a>	<a href="#">141TA4965</a>	<a href="#">145TA2633</a>	<a href="#">141TA5065</a>	
Seat cushion heated (12/24 V)	<a href="#">165TA9551</a>	<a href="#">145TA2637</a>		<a href="#">165TA9526</a>	
Backrest cushion heated (12/24 V)	<a href="#">152TA2048</a>	<a href="#">141TA4970</a>		<a href="#">165TA9525</a>	
Seat cushion kit heated (12 V)	<a href="#">141TA4927</a>	<a href="#">141TA4926</a>	<a href="#">147TA3463</a>	<a href="#">147TA3461</a>	
Slide rails: 315 mm					<a href="#">145TA2636</a>
Switch					<a href="#">165TA9520</a>
Armrest LH (65 x 270 mm)					<a href="#">141TA4918</a>
Armrest LH (80 x 380 mm)					<a href="#">141TA4916</a>
Armrest RH (65 x 270 mm)					<a href="#">141TA4917</a>
Armrest RH (80 x 380 mm)					<a href="#">141TA4915</a>
Document holder					<a href="#">141TA4913</a>
ELR LH seat belt (black)					<a href="#">125TA6316</a>



PVC



Old fabric



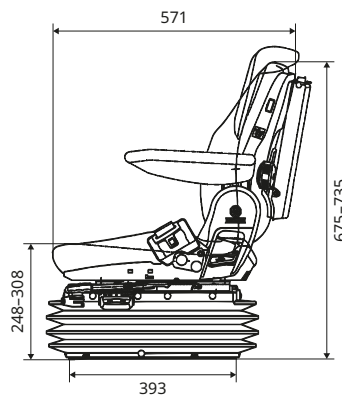
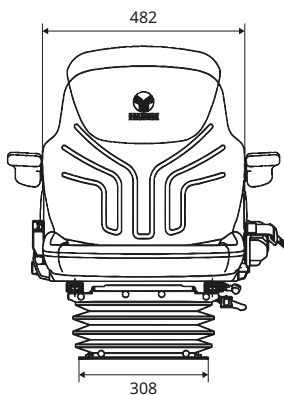
New fabric



Black fabric

All dimensions in mm. For more info on the differences between the old and new fabrics see the Nice to know chapter.

## MAXIMO L (MSG95/721)



- Universal forklift seat
- Air suspension (12 V)
- Weight adjustment: 45–130 kg

### COMPLETE SEATS

	REF PVC	REF New fabric
Seat + switch + seat belt	<a href="#">139TA6027</a>	<a href="#">145TA2638</a>

### SPARE AND OPTIONAL PARTS

	REF PVC	REF Old fabric	REF New fabric	REF Black fabric	REF General
Seat cushion	<a href="#">110TA8720</a>	<a href="#">141TA5246</a>	<a href="#">145TA2631</a>	<a href="#">110TA8721</a>	
Backrest cushion	<a href="#">110TA8722</a>		<a href="#">141TA5245</a>		
Headrest	<a href="#">128TA4164</a>	<a href="#">141TA4923</a>	<a href="#">145TA2633</a>	<a href="#">141TA4923</a>	
Seat cushion heated (12/24 V)		<a href="#">141TA4969</a>			
Backrest cushion heated (12 V)	<a href="#">141TA4970</a>				
Seat cushion kit heated (12 V)	<a href="#">141TA4930</a>				
Slide rails: 325 mm					<a href="#">165TA7505</a>
Switch					<a href="#">145TA2635</a>
Switch kit met base plate					<a href="#">145TA2703</a>
Armrest LH (65 x 270)					<a href="#">141TA4918</a>
Armrest LH (80 x 380 mm)					<a href="#">141TA4916</a>
Armrest RH (65 x 270 mm)					<a href="#">141TA4917</a>
Armrest RH (80 x 380 mm)					<a href="#">141TA4915</a>
Document holder					<a href="#">141TA4913</a>
ELR LH seat belt (black)					<a href="#">125TA6316</a>
Compressor kit (12 V)					<a href="#">165TA9453</a>
Duo sensitive ELR LH seat belt (black)					<a href="#">141TA5017</a>



PVC



Old fabric



New fabric

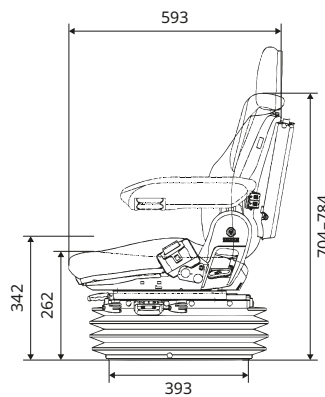
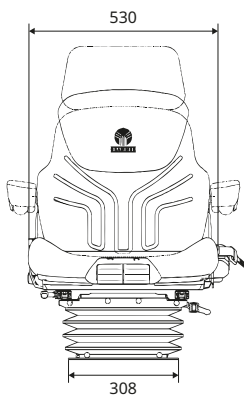


Black fabric

All dimensions in mm. For more info on the differences between the old and new fabrics see the Nice to know chapter.



## MAXIMO XXL (MSG95AL/731, MSG95A/731)



- Universal forklift seat
- Airl suspension
- Weight adjustment: 45–130 kg

### COMPLETE SEATS

	REF PVC	REF Old fabric	REF New fabric
Seat (12 V) + switch + seat belt	<a href="#">151TA2989*</a>	On request	<a href="#">145TA2704</a>
Seat (24 V) + switch + seat belt	<a href="#">152TA2051</a>	<a href="#">141TA4912</a>	<a href="#">152TA2052</a>



PVC

### SPARE AND OPTIONAL PARTS

	REF PVC	REF Old fabric	REF New fabric	REF Black fabric	REF General
Seat cushion	<a href="#">140TA1739</a>	<a href="#">141TA5244</a>	<a href="#">145TA2705</a>		
Backrest cushion	<a href="#">141TA5247</a>		<a href="#">145TA2706</a>		
Headrest (integral height adjustable)	<a href="#">128TA4164</a>				
Headrest	<a href="#">141TA5106</a>	<a href="#">141TA4923</a>	<a href="#">145TA2633</a>	<a href="#">141TA5065</a>	
Seat cushion kit heated (12 V)	<a href="#">141TA4920</a>		<a href="#">147TA3463</a>		
Cable set heating (12 V)					<a href="#">166TA7978</a>
Slide rails: 325 mm					<a href="#">165TA7505</a>
Switch					<a href="#">151TA2990</a>
Armrest LH (80 x 380 mm)					<a href="#">141TA4916</a>
Armrest LH (65 x 270 mm)					<a href="#">141TA4918</a>
Armrest RH (80 x 380 mm)					<a href="#">141TA4915</a>
Armrest RH (65 x 270 mm)					<a href="#">141TA4917</a>
Document holder					<a href="#">141TA4913</a>
Compressor kit (12 V)					<a href="#">165TA9453</a>
Compressor kit (24 V)					<a href="#">151TA2991</a>
Duo sensitive ELR LH seat belt (black)					<a href="#">141TA5017</a>



Old fabric



New fabric

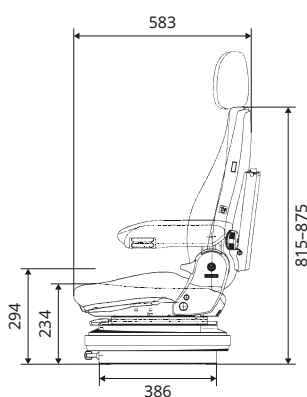
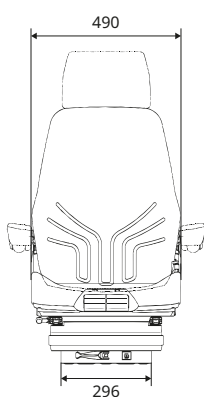


Black fabric

\*Only as replacement part

All dimensions in mm. For more info on the differences between the old and new fabrics see the Nice to know chapter.

## ACTIMO M (MSG 85/722)



- Universal construction seat
- Mechanical suspension
- Weight adjustment: 50–130 kg

### COMPLETE SEATS

	REF PVC	REF Old fabric	REF New fabric
Seat	<a href="#">141TA5030</a>	<a href="#">141TA5029</a>	<a href="#">145TA2711</a>

### SPARE AND OPTIONAL PARTS

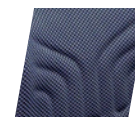
	REF PVC	REF Old fabric	REF New fabric	REF Black fabric	REF General
Seat cushion width: 490 mm	<a href="#">145TA2713</a>	<a href="#">147TA3465</a>	<a href="#">145TA2714</a>		
Seat cushion width: 550 mm		<a href="#">147TA3466</a>	<a href="#">145TA2715</a>		
Backrest cushion	<a href="#">147TA3468</a>	<a href="#">166TA8793</a>	<a href="#">145TA2716</a>		
Headrest	<a href="#">141TA5014</a>	<a href="#">141TA5012</a>	<a href="#">145TA2717</a>		
Seat cushion heated (24 V)		<a href="#">165TA9432</a>			
Seat cushion kit heated (12 V) width: 490 mm		<a href="#">165TA9434</a>	<a href="#">145TA2718</a>		
Seat cushion kit heated (12 V) width: 550 mm			<a href="#">145TA2719</a>	<a href="#">141TA5034</a>	
Switch with contact plate					<a href="#">141TA5031</a>
Slide rails: 325 mm					<a href="#">165TA7505</a>
Armrest LH					<a href="#">165TA9440</a>
Armrest LH (65 x 270 mm)					<a href="#">141TA4918</a>
Armrest LH (80 x 380 mm)					<a href="#">141TA4916</a>
Armrest RH (65 x 270 mm)					<a href="#">141TA4917</a>
Armrest RH (80 x 380 mm)					<a href="#">141TA4915</a>
Document holder					<a href="#">141TA4913</a>
ALR seat belt (black)					<a href="#">165TA2906</a>
Duo sensitive ELR LH seat belt (black)					<a href="#">141TA5017</a>
ELR LH seat belt (black)					<a href="#">125TA6316</a>



PVC



Old fabric



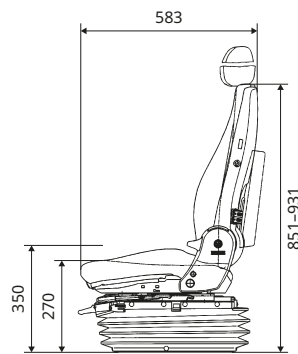
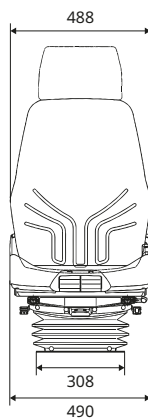
New fabric



Black fabric

All dimensions in mm. For more info on the differences between the old and new fabrics see the Nice to know chapter.

## ACTIMO XL (MSG 95A/722)



- Universal construction seat
- Air suspension
- Weight adjustment: 50-130 kg

### COMPLETE SEATS

	REF New fabric
Seat (12 V)	<a href="#">165TA9445</a>
Seat (24 V)	<a href="#">165TA9447</a>



PVC

### SPARE AND OPTIONAL PARTS

	REF PVC	REF Old fabric	REF New fabric	REF General
Seat cushion width: 490 mm	<a href="#">165TA9438</a>	On request	<a href="#">145TA2730</a>	
Seat cushion width: 550 mm		On request	<a href="#">141TA5015</a>	
Backrest cushion	<a href="#">147TA3468</a>	<a href="#">145TA2726</a>	<a href="#">145TA2724</a>	
Headrest	<a href="#">141TA5014</a>	On request	<a href="#">145TA2717</a>	
Seat cushion heated (12 V) width: 490 mm			<a href="#">165TA7503</a>	
Seat cushion heated (24 V) width: 490 mm			<a href="#">166TA8165</a>	
Backrest cushion heated (12 V)			<a href="#">165TA7504</a>	
Backrest cushion heated (24 V)		Not available		
Seat cushion kit heated (12 V) width: 490 mm			<a href="#">141TA5024</a>	
Seat cushion kit heated (24 V)		<a href="#">165TA9457</a>		
Seat cushion kit heated (24 V) width: 490 mm	<a href="#">141TA5025</a>	<a href="#">141TA5026</a>	<a href="#">145TA2725</a>	
Cable set heating (12 V)				<a href="#">165TA9452</a>
Slide rails: 325 mm				<a href="#">165TA9449</a>
Switch				<a href="#">141TA5018</a>
Armrest LH (65 x 270 mm)				<a href="#">141TA4918</a>
Armrest LH (80 x 380 mm)				<a href="#">141TA4916</a>
Armrest RH (65 x 270 mm)				<a href="#">141TA4917</a>
Armrest RH (80 x 380 mm)				<a href="#">141TA4915</a>
Document holder				<a href="#">141TA4913</a>
ALR seat belt (black)				<a href="#">165TA2906</a>
Duo sensitive ELR LH seat belt (black)				<a href="#">141TA5017</a>
ELR LH seat belt (black)				<a href="#">125TA6316</a>
Compressor kit (12 V)				<a href="#">165TA9453</a>
Compressor kit (24 V)				<a href="#">165TA9454</a>



Old fabric



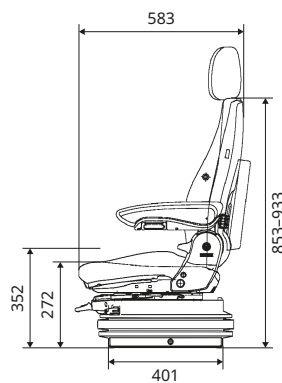
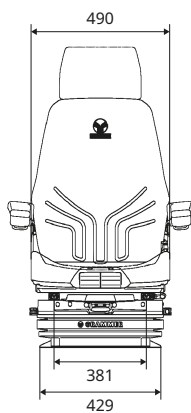
New fabric



Black fabric

All dimensions in mm. For more info on the differences between the old and new fabrics see the Nice to know chapter.

## ACTIMO XXL (MSG 97AL/722)



- Universal construction seat
- Air suspension
- Weight adjustment: 50–130 kg

### COMPLETE SEATS

	REF New fabric
Seat (24 V)	<a href="#">165TA9465</a>



PVC

### SPARE AND OPTIONAL PARTS

	REF PVC	REF Old fabric	REF New fabric	REF General
Seat cushion	<a href="#">145TA2713</a>	On request		
Backrest cushion	<a href="#">147TA3468</a>	On request	<a href="#">145TA2716</a>	
Headrest	<a href="#">141TA5014</a>	<a href="#">141TA5012</a>	<a href="#">145TA2717</a>	
Seat cushion heated (24 V) width: 550 mm			<a href="#">145TA2728</a>	
Seat cushion kit heated (24 V) width: 490 mm			<a href="#">147TA5067</a>	
Switch (complete kit)				<a href="#">141TA5018</a>
Switch (micro switch, cables and magnet)				<a href="#">145TA2732</a>
Slide rails: 325 mm	<a href="#">145TA2733</a>	<a href="#">145TA2733</a>	<a href="#">145TA2733</a>	
Armrest LH (65 x 270 mm)				<a href="#">141TA4918</a>
Armrest LH (80 x 380 mm)				<a href="#">141TA4916</a>
Armrest RH (65 x 270)				<a href="#">141TA4917</a>
Armrest RH (80 x 380 mm)				<a href="#">141TA4915</a>
Document holder				<a href="#">141TA4913</a>
ALR seat belt (black)				<a href="#">165TA2906</a>
Duo sensitive ELR LH seat belt (black)				<a href="#">141TA5017</a>
ELR RH seat belt (black)				<a href="#">145TA2803</a>
Compressor kit (12 V)				<a href="#">165TA9454</a>



Old fabric



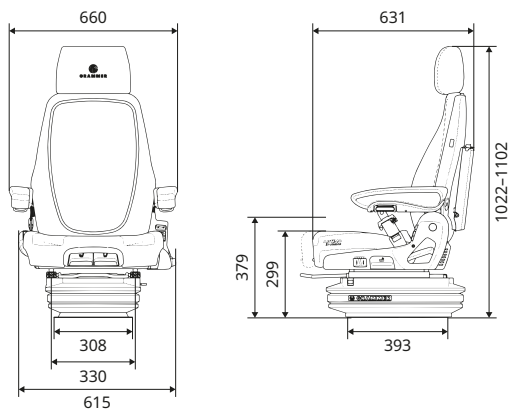
New fabric



Black fabric

All dimensions in mm. For more info on the differences between the old and new fabrics see the Nice to know chapter.

## ACTIMO EVOLUTION (MSG 95EL/742) 12 V VERSION FOR WHEELED LOADER



- Universal construction seat
- Air suspension (12 V)
- Weight adjustment: 50–130 kg

### COMPLETE SEATS

	REF New fabric	REF Black fabric
Seat + adapter cable (12 V)		<a href="#">165TA9424</a>
Klima seat + adapter cable (12 V) + head rest + switch + seat belt	<a href="#">165TA9417</a>	



PVC

### SPARE AND OPTIONAL PARTS

	REF New fabric	REF Black fabric	REF General
Seat cushion	<a href="#">152TA2054</a>	<a href="#">145TA2740</a>	
Backrest cushion	<a href="#">145TA2735</a>	<a href="#">145TA2741</a>	
Headrest	<a href="#">145TA2736</a>	<a href="#">145TA2742</a>	
Adapter cable (12 V)			<a href="#">165TA9423</a>
Slide rails			<a href="#">152TA2055</a>
Switch			<a href="#">145TA2738</a>
Armrest LH			<a href="#">141TA4957</a>
Armrest LH (A80 x 380 mm)			<a href="#">147TA3469</a>
Armrest RH			<a href="#">141TA4956</a>
Armrest RH (A80 x 380 mm)			<a href="#">147TA3470</a>
Document holder			<a href="#">141TA4913</a>
Control carrier box LH			<a href="#">141TA5006</a>
Control carrier box RH			<a href="#">141TA5009</a>
Retractable seat belt			<a href="#">145TA2737</a>
ALR seat belt (black)			<a href="#">145TA2745</a>
Compressor (12 V)			<a href="#">165TA2901</a>
Control carrier box LH			<a href="#">141TA5006</a>
Control carrier box RH			<a href="#">141TA5009</a>
Mounting parts for control carrier box			<a href="#">141TA5007</a>



Old fabric



New fabric

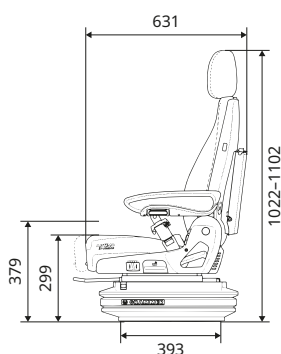
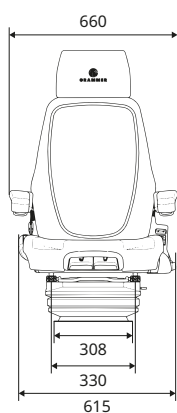


Black fabric

All dimensions in mm. For more info on the differences between the old and new fabrics see the Nice to know chapter.



## ACTIMO EVOLUTION (MSG 95EL/742) 24 V VERSION FOR WHEELED LOADER



- Universal construction seat
- Air suspension (24 V)
- Weight adjustment: 50–130 kg

### COMPLETE SEATS

	REF
Seat + adapter cable (24 V)	<b>New fabric</b> <a href="#">145TA2743</a>



PVC

### SPARE AND OPTIONAL PARTS

	REF New fabric	REF General
Seat cushion	<a href="#">152TA2054</a>	
Backrest cushion	<a href="#">145TA2735</a>	
Headrest	<a href="#">145TA2736</a>	
Slide rails		<a href="#">152TA2055</a>
Switch		<a href="#">145TA2738</a>
Armrest LH		<a href="#">141TA4957</a>
Armrest LH (A80 x 380 mm)	<a href="#">147TA3469</a>	
Armrest RH		<a href="#">141TA4956</a>
Armrest RH (A80 x 380 mm)		<a href="#">147TA3470</a>
Document holder		<a href="#">141TA4913</a>
Control carrier box LH		<a href="#">141TA5006</a>
Control carrier box RH		<a href="#">141TA5009</a>
Mounting parts for control carrier box		<a href="#">141TA5007</a>
Retractable seat belt		<a href="#">145TA2737</a>
ALR seat belt (black)		<a href="#">145TA2745</a>



Old fabric



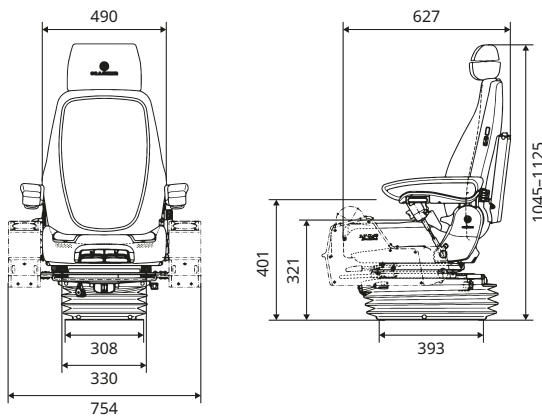
New fabric



Black fabric

All dimensions in mm. For more info on the differences between the old and new fabrics see the Nice to know chapter.

## ACTIMO EVOLUTION (MSG 95EL/722) 12 V VERSION FOR EXCAVATOR



- Universal construction seat
- Air suspension (12 V)
- Weight adjustment: 50–130 kg

### COMPLETE SEATS

	REF New fabric
Seat + headrest + adapter cable (12 V) + armrests + seat belt	<a href="#">165TA9418</a>
Klima seat + headrest + adapter cable (12 V) + switch + seat belt	<a href="#">145TA2744</a>



PVC

### SPARE AND OPTIONAL PARTS

	REF Old fabric	REF New fabric	REF General
Seat cushion	<a href="#">145TA2748</a>	<a href="#">145TA2747</a>	
Backrest cushion		<a href="#">145TA2735</a>	
Headrest		<a href="#">145TA2736</a>	
Adapter cable (12 V)			<a href="#">165TA9423</a>
Slide rails			<a href="#">152TA2055</a>
Switch			<a href="#">145TA2738</a>
Armrest LH (A80 x 380 mm)			<a href="#">147TA3649</a>
Armrest RH (A80 x 380 mm)			<a href="#">147TA3470</a>
Document holder			<a href="#">141TA4913</a>
Control carrier box LH			<a href="#">141TA5006</a>
Control carrier box RH			<a href="#">141TA5009</a>
Mounting parts for control carrier box			<a href="#">141TA5007</a>
ALR seat belt (black)			<a href="#">145TA2745</a>
Compressor (12 V)			<a href="#">165TA2901</a>



Old fabric



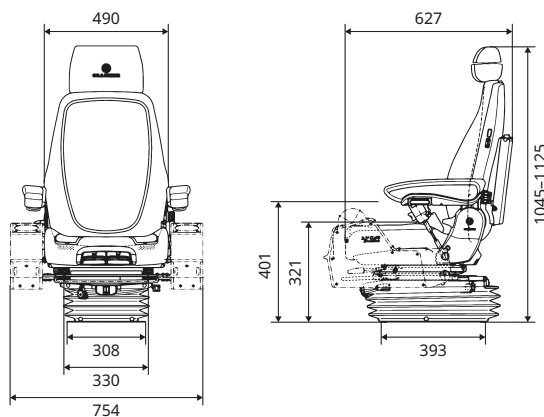
New fabric



Black fabric

All dimensions in mm. For more info on the differences between the old and new fabrics see the Nice to know chapter.

## ACTIMO EVOLUTION (MSG 95EL/722) 24 V VERSION FOR EXCAVATOR



- Universal construction seat
- Air suspension (24 V)
- Weight adjustment: 50–130 kg

### COMPLETE SEATS

	REF New fabric
Seat + adapter cable (24 V)	<a href="#">145TA2749</a>



PVC

### SPARE AND OPTIONAL PARTS

	REF Old fabric	REF New fabric	REF General
Seat cushion	<a href="#">145TA2748</a>	<a href="#">145TA2747</a>	
Backrest cushion		<a href="#">145TA2735</a>	
Headrest		<a href="#">145TA2736</a>	
Adapter cable (12 V)			<a href="#">165TA9423</a>
Slide rails			<a href="#">152TA2055</a>
Switch			<a href="#">145TA2738</a>
Armrest LH (A80 x 380 mm)			<a href="#">147TA3649</a>
Armrest RH (A80 x 380 mm)			<a href="#">147TA3470</a>
Document holder			<a href="#">141TA4913</a>
Control carrier box LH			<a href="#">141TA5006</a>
Control carrier box RH			<a href="#">141TA5009</a>
Mounting parts for control carrier box			<a href="#">141TA5007</a>
ALR seat belt (black)			<a href="#">145TA2745</a>



Old fabric



New fabric



Black fabric

All dimensions in mm. For more info on the differences between the old and new fabrics see the Nice to know chapter.

