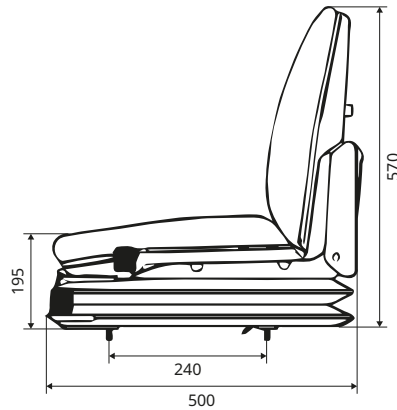
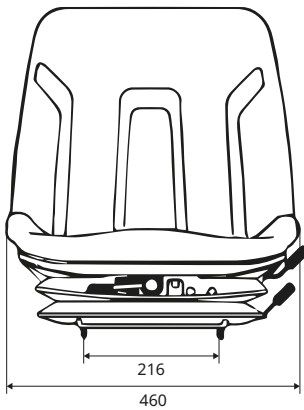




04.
ISRI

ISRI 2300 LR



ISRI[®]
ISRINGHAUSEN

- Mechanical suspension
- Universal forklift seat
- Weight adjustment: 50–130 kg
- Also available with heating see (REF 147TA3381)
- Used on Still

COMPLETE SEATS

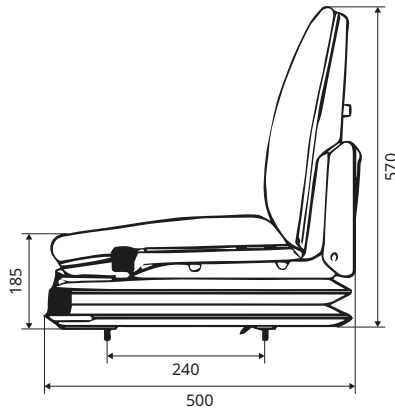
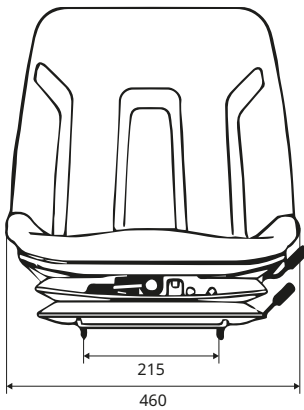
	REF PVC	REF Fabric
Seat	106TA8607	110TA8857
Seat + switch	110TA8858	110TA8859
Seat + seat belt	166TA8800	110TA8861

SPARE AND OPTIONAL PARTS

	REF PVC	REF Fabric	REF General
Seat cushion	110TA8622	110TA8866	
Backrest cushion	128TA4209	110TA8868	
Switch			110TA8658
Armrest LH			166TA7983
Armrest RH			166TA7940
ALR seat belt (black)			106TA5149

All dimensions in mm.

ISRI 2300 MR (NARROW)



- Mechanical suspension
- Universal forklift seat
- Weight adjustment: 50–130 kg
- Also available with heating (REF 147TA3381)
- Used on Still

COMPLETE SEATS

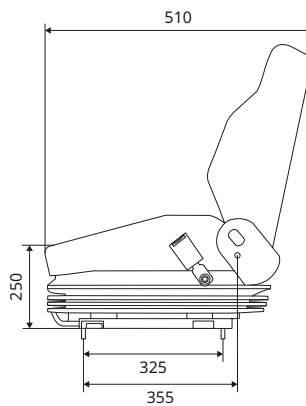
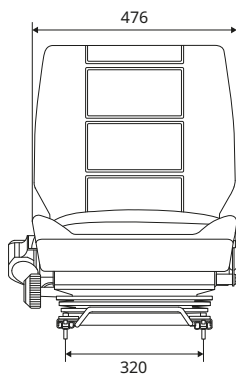
	REF PVC	REF Fabric
Seat	On request	166TA8801
Seat + switch	On request	On request
Seat + switch + seat belt	On request	On request

SPARE AND OPTIONAL PARTS

	REF PVC	REF Fabric	REF General
Seat cushion	110TA8654	110TA8655	
Backrest cushion	110TA8656	110TA8657	
Switch			110TA8658
ALR seat belt (black)			106TA5149
Set of mounting clips for the seat cushions			166TA6009

All dimensions in mm.

ISRI 6000/516



- Mechanical suspension
- Universal forklift seat
- Weight adjustment: 40–130 kg
- Used on Still

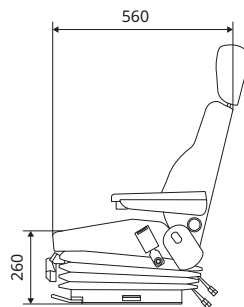
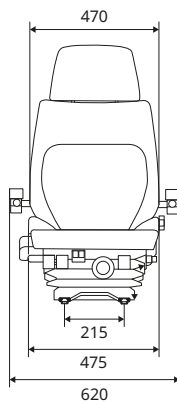
COMPLETE SEATS

	REF PVC	REF Fabric
Seat	139TA6074	On request
Seat + seat belt	145TA9020	On request

SPARE AND OPTIONAL PARTS

	REF PVC	REF Fabric	REF General
Seat cushion	145TA9021	140TA8275	
Backrest cushion	145TA9022	145TA9024	
Headrest	147TA3382		
Switch			146TA1078
Armrest LH			147TA3384
Armrest RH			147TA3385
ELR RH seat belt (black)			147TA3383

ISRI 6000/575



ISRI[®]
ISRINGHAUSEN

- Mechanical suspension
- Universal forklift seat
- Weight adjustment: 40–130 kg

COMPLETE SEATS

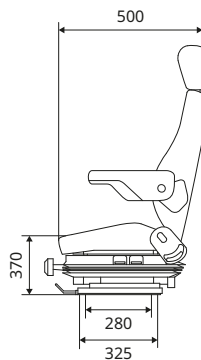
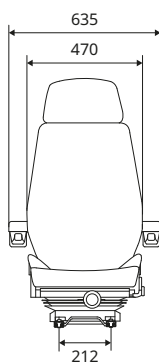
	REF PVC	REF Fabric
Seat + front controls	139TA6076	145TA9023

SPARE AND OPTIONAL PARTS

	REF PVC	REF Fabric	REF General
Seat cushion	147TA3386	140TA8275	
Backrest cushion	145TA9025	145TA9024	
Headrest	147TA3382	147TA3388	
Armrest LH			147TA3384
Armrest RH			147TA3385
ELR RH seat belt (black)			147TA3383

All dimensions in mm.

ISRI 6000/577



- Mechanical suspension
- Universal forklift seat
- Weight adjustment: 40–130 kg

COMPLETE SEATS

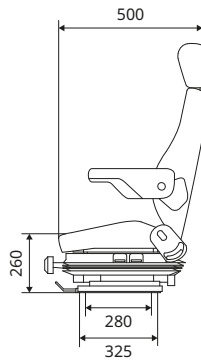
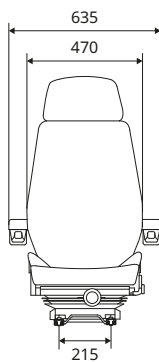
	REF Fabric
Seat + side controls	140TA8274
Seat + front controls	145TA9026

SPARE AND OPTIONAL PARTS

	REF PVC	REF Fabric	REF General
Seat cushion	147TA3386	140TA8275	
Backrest cushion	145TA9025	147TA3389	
Headrest	147TA3382	147TA3388	
Armrest LH			147TA3390
Armrest RH			147TA3391
ELH RH seat belt (black)			147TA3383

All dimensions in mm.

ISRI 6500/517



ISRI®
ISRINGHAUSEN

- Air suspension
- Universal construction seat
- Weight adjustment: 50–130 kg

COMPLETE SEATS

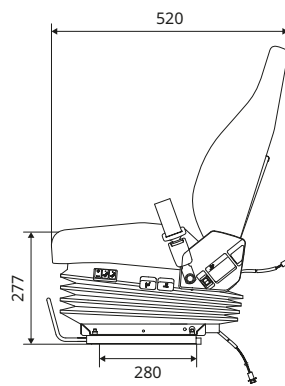
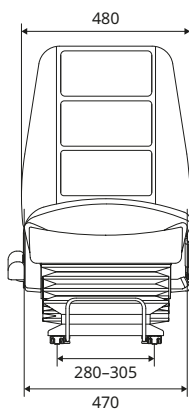
	REF PVC	REF Fabric
Seat	147TA3392	145TA9027

SPARE AND OPTIONAL PARTS

	REF PVC	REF Fabric	REF General
Seat cushion	147TA3386	140TA8275	
Backrest cushion	147TA3393	147TA3394	
Headrest	147TA3382	147TA3388	
Armrest LH			147TA3390
Armrest RH			147TA3391
ELR RH seat belt (black)			147TA3383

All dimensions in mm.

ISRI 6500KM/345



- Air suspended construction seat 24 V heated
- Weight adjustment: 50–130 kg
- Used on Volvo

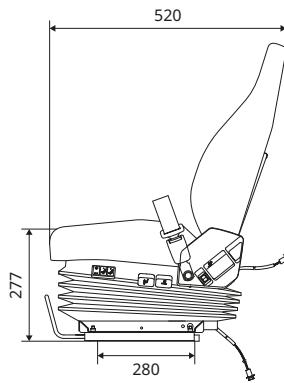
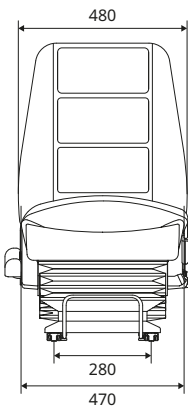
COMPLETE SEATS

	REF PVC	REF Fabric
Seat heated (24 V) + seat belt	147TA3392	145TA9028

SPARE AND OPTIONAL PARTS

	REF Fabric	REF General
Seat cushion heated	145TA9029	
Backrest cushion heated	145TA9030	
Armrest LH		147TA3384
Armrest RH		147TA3385
ALR seat belt (black)		145TA9031

ISRI 6500KM/348



ISRI[®]
ISRINGHAUSEN

- 24 V air suspended construction seat heated
- Weight adjustment: 50–130 kg
- Used on Kalmar

COMPLETE SEATS

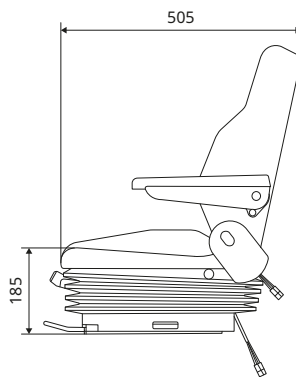
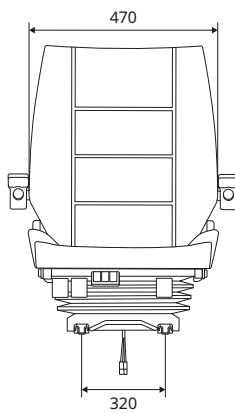
	REF PVC	REF Fabric
Seat heated (24 V) + seat belt + switch + document holder	Not available	145TA9032

SPARE AND OPTIONAL PARTS

	REF PVC	REF Fabric	REF General
Seat cushion	Not available	140TA8275	
Headrest	Not available	147TA3388	
Seat cushion heated (24 V)	Not available	147TA3395	
Backrest cushion heated	Not available	147TA3396	
Switch			On request
Armrest LH			147TA3384
Armrest RH			147TA3385
Document holder			On request
ELR RH seat belt (black)			147TA3383

All dimensions in mm.

ISRI 6500KM/575



- Air suspended construction seat 24 V
- Weight adjustment: 50–130 kg
- Used on Linde

COMPLETE SEATS

	REF Fabric
Seat (24 V)	145TA9033

SPARE AND OPTIONAL PARTS

	REF PVC	REF Fabric	REF General
Backrest cushion	145TA9025	145TA9024	
Headrest	147TA3382	147TA3388	
Armrest LH			147TA3390
Armrest RH			147TA3391
ELR RH seat belt (black)			147TA3383

All dimensions in mm.