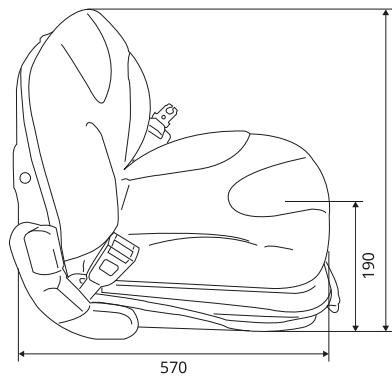
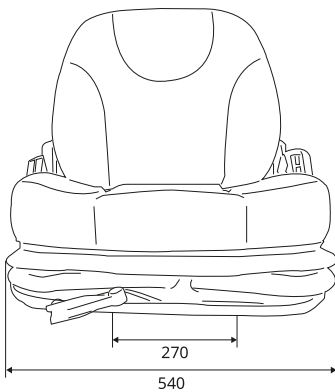




09.
SEAT
INDUSTRIES

LS20/2



- Universal forklift seat with seat belt, switch (OPS) and slide rails
- Mechanical suspension
- Weight adjustment: 50–120 kg

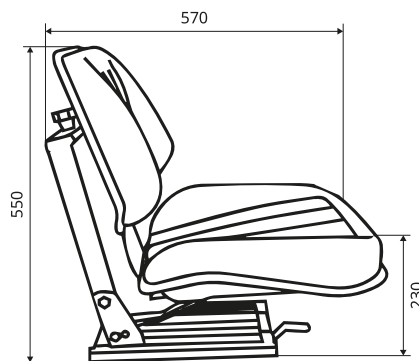
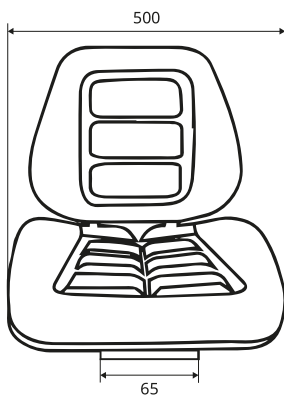
COMPLETE SEATS

	REF PVC	REF Fabric
Seat + switch	123TA7618	126TA6053
Seat + switch + armrests + seat belt	126TA6054	

SPARE AND OPTIONAL PARTS

	REF PVC	REF Fabric	REF General
Seat cushion + switch	123TA7674	128TA4243	
Backrest cushion	123TA7619	128TA4244	
Slide rails: 326 mm			141TA5230
Switch			On request
Armrest LH			126TA6055
ALR seat belt (black)			108TA8537

VARIO



- Universal forklift seat
- Mechanical suspension
- Weight adjustment: 50–120 kg

COMPLETE SEATS

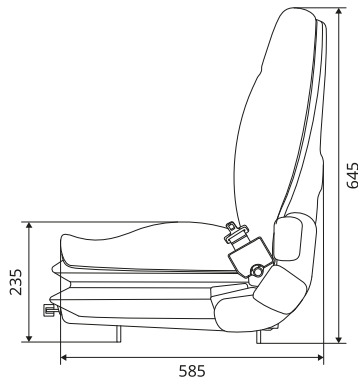
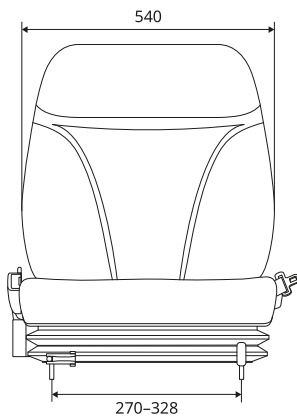
	REF PVC	REF Fabric
Seat	145TA2822	Not available
Seat + switch	147TA5203	Not available

SPARE AND OPTIONAL PARTS

	REF PVC	REF Fabric	REF General
Seat cushion	145TA2823	Not available	
Backrest cushion	145TA2824	Not available	
Switch			106TA5151

All dimensions in mm.

TS213



- Universal forklift seat with seat belt, switch (OPS) and slide rails
- Mechanical suspension
- Weight adjustment: 50–120 kg

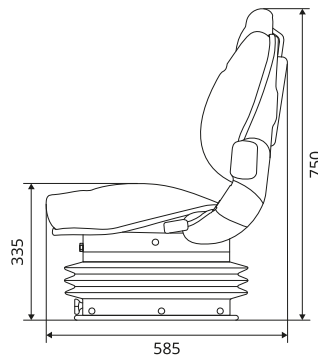
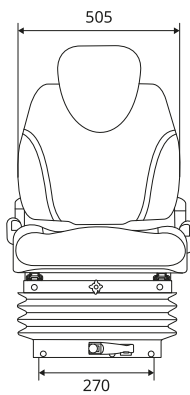
COMPLETE SEATS

	REF PVC	REF Fabric
Seat + switch + seat belt	145TA2838	147TA3003

SPARE AND OPTIONAL PARTS

	REF PVC	REF Fabric	REF General
Seat cushion	145TA2839	147TA3004	
Backrest cushion	145TA2840	147TA3005	
Slide rails: 326 mm			141TA5230
Switch			On request
ELR LH seat belt (black)			125TA6316

TS710



- Mechanical suspended seat with switch (OPS), seat belt and document holder
- Weight adjustment: 50–120 kg
- Used on Merlo

COMPLETE SEATS

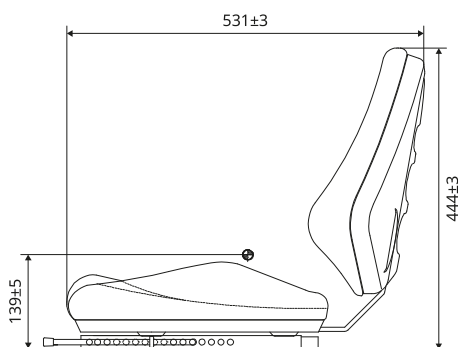
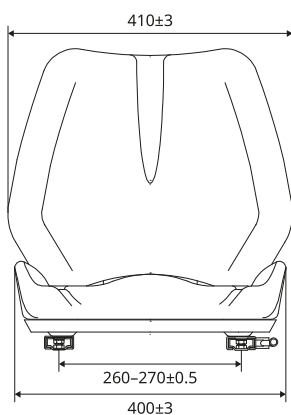
	REF PVC	REF Fabric
Seat	166TA8785	145TA2843
Seat + switch + document holder + seat belt	On request	145TA2844

SPARE AND OPTIONAL PARTS

	REF PVC	REF Fabric	REF General
Seat cushion		145TA2845	
Seat cushion + switch	147TA3006		
Backrest cushion		145TA2846	
Slide rails: 325 mm			145TA2842
Switch			141TA5234
Document holder			On request
Static seat belt (black)			147TA3648
ALR seat belt (black)			106TA5147

All dimensions in mm.

SML010



- Universal forklift seat
- Without suspension

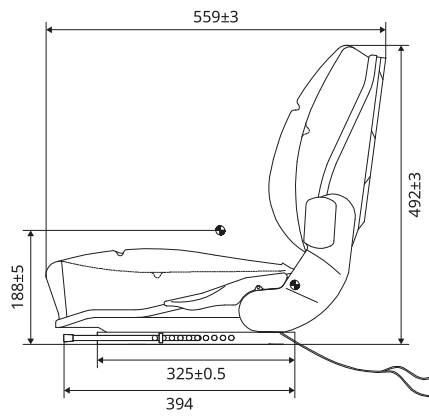
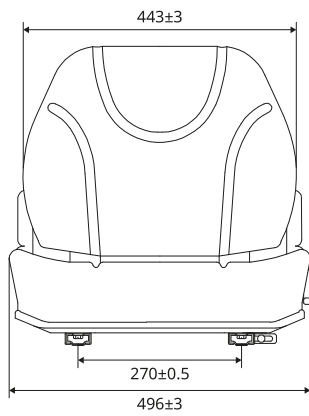
COMPLETE SEATS

	REF
Seat	PVC 166TA7052

SPARE AND OPTIONAL PARTS

	REF
Switch	General 141TA5228

951010RM



- Universal forklift seat
- Without suspension
- Weight adjustment: 50–120 kg

COMPLETE SEATS

Seat

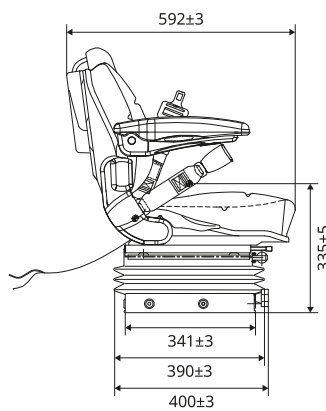
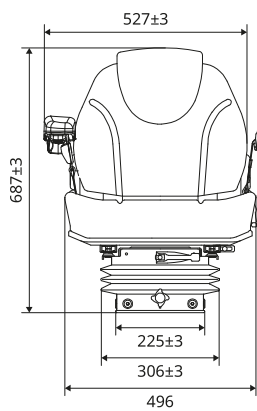
REF
PVC
[166TA7053](#)

SPARE AND OPTIONAL PARTS

Static seat belt (black)

REF
General
[147TA3648](#)

9542566DMCBK



- Universal forklift seat
- Air suspension
- Weight adjustment: 50–130 kg

COMPLETE SEATS

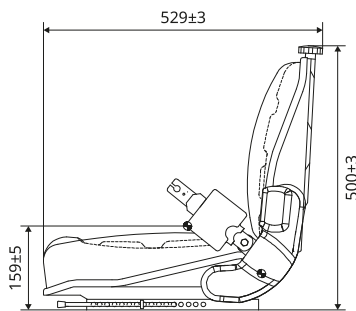
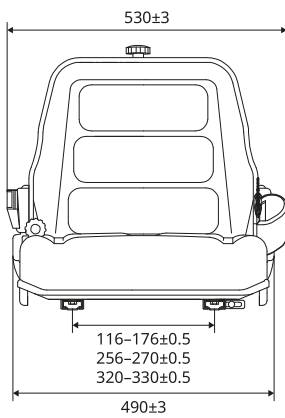
	REF Fabric
Seat + armrest (with suspension)	166TA7055
Seat + armrest (without suspension)	166TA7063
Seat + armrest + seat belt (with suspension)	166TA7057
Seat + seat belt (with suspension)	166TA7060

SPARE AND OPTIONAL PARTS

	REF Fabric	REF General
Seat cushion + switch	166TA7064	
Backrest cushion	145TA2846	
Headrest	166TA7065	
Armrest RH	166TA7066	
Seat belt		166TA7067

All dimensions in mm.

MUL013AN



- Universal forklift seat
- Mechanical suspension
- Weight adjustment: 50–120 kg

COMPLETE SEATS

Seat pan + seat belt

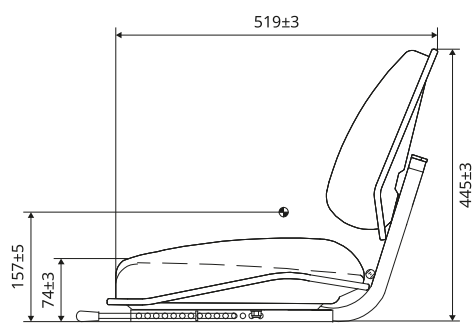
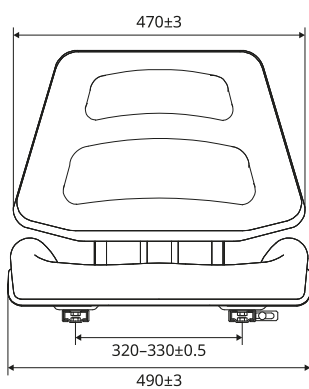
REF
PVC
[166TA7056](#)

SPARE AND OPTIONAL PARTS

Seat belt

REF
General
On request

900010



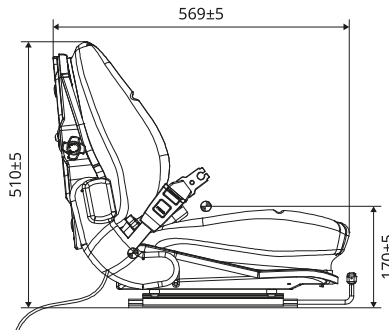
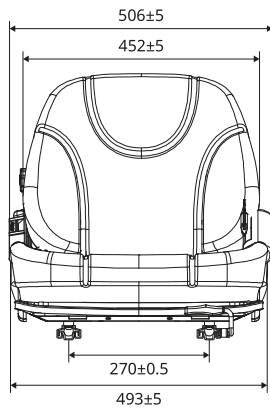
- Universal forklift seat
- Without suspension
- Weight adjustment: 50-120 kg

COMPLETE SEATS

Seat

REF
PVC
[166TA7061](#)

MUL020



- Universal forklift seat
- Mechanical suspension
- Weight adjustment: 50–120 kg
- Used on Manitou

COMPLETE SEATS

Seat + seat belt

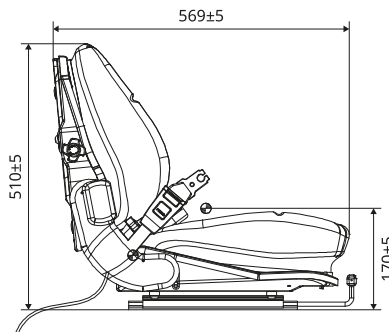
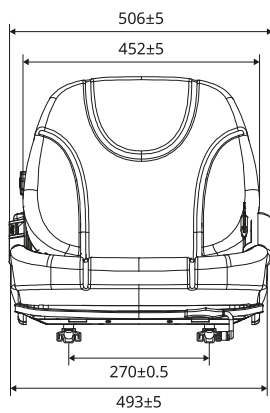
REF
PVC
[166TA8321](#)

SPARE AND OPTIONAL PARTS

ALR seat belt (Black)

REF
General
[147TA4336](#)

CNP559001113C



- Forklift seat
- Used on Manitou

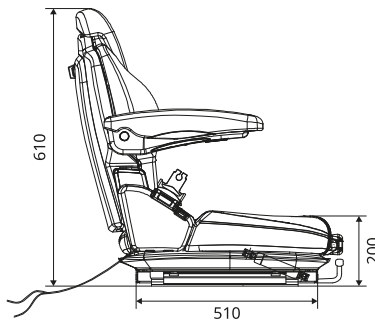
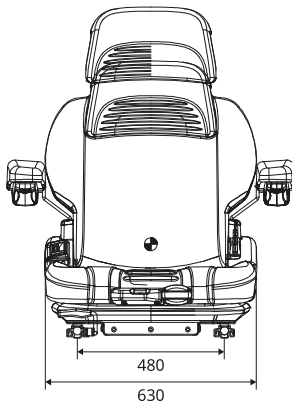
COMPLETE SEATS

	REF
Seat + document holder + seat belt	PVC 166TA8322

SPARE AND OPTIONAL PARTS

	REF
Document holder	General 141TA5238
Seat belt	On request

KMD01129M



- Universal forklift seat
- Mechanical suspension
- Used on Doosan

COMPLETE SEATS

	REF PVC
Seat + switch + armrests + document holder + seat belt	166TA8326
Seat + switch + document holder + seat belt	166TA8428
Seat + document holder + seat belt	166TA8323

SPARE AND OPTIONAL PARTS

	REF PVC	REF General
Seat cushion	166TA8328	
Backrest cushion	166TA8329	
Headrest	166TA8330	
Slide rails		166TA8331
Switch		166TA8332
Armrest LH		166TA8333
Armrest RH		166TA8427

All dimensions in mm.