

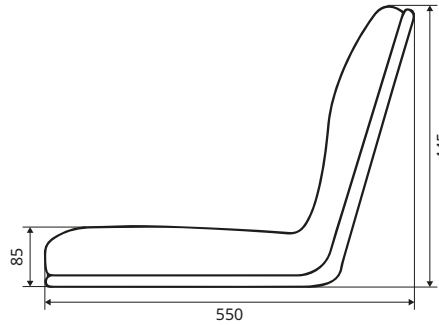
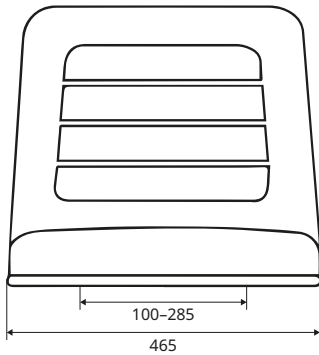


01.
TOTALSOURCE

TS3



TOTALSOURCE®



- Universal seat pan with slide rails
- With drain hole

COMPLETE SEATS

	REF PVC	REF Fabric
Seat pan	140TA2075	Not available

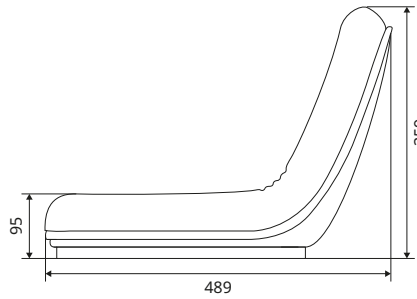
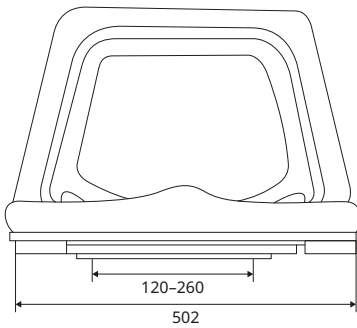
SPARE AND OPTIONAL PARTS

	REF General
Slide rails: 326 mm	152TA1964

TS30



TOTALSOURCE®



- Universal seat pan
- With drain hole
- Used on Tennant

COMPLETE SEATS

	REF PVC	REF Fabric
Seat pan	139TA6707	Not available

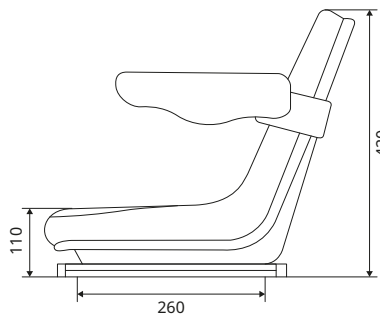
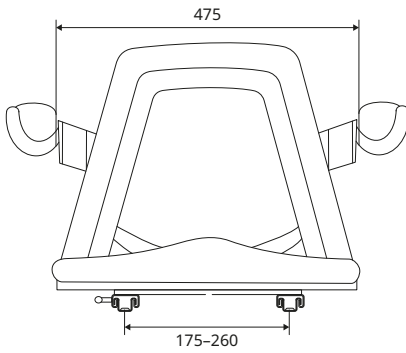
SPARE AND OPTIONAL PARTS

	REF General
Slide rails	144TA3663

TS32



TOTALSOURCE®



- Universal seat pan with slide rails and seat switch
- With drain hole
- Used on cleaning machines

COMPLETE SEATS

	REF PVC	REF Fabric
Seat pan + switch	145TA3347	Not available

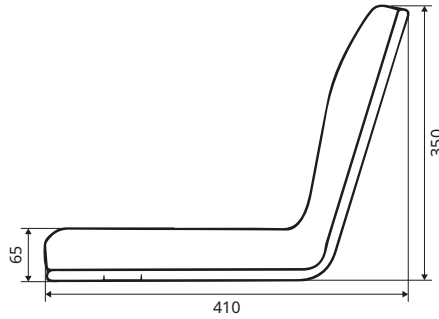
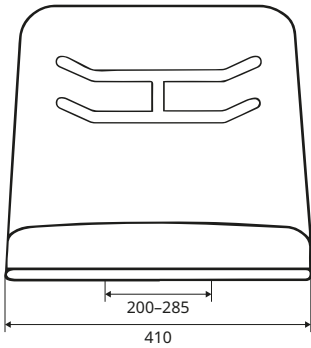
SPARE AND OPTIONAL PARTS

	REF General
Slide rails	144TA3663

TS35



TOTALSOURCE®



- Universal seat pan with slide rails
- Used on Hyster/Yale/Toyota

COMPLETE SEATS

	REF PVC	REF Fabric
Seat pan	110TA8626	111TA4084
Seat pan + switch + document holder + seat belt	128TA4153	On request

SPARE AND OPTIONAL PARTS

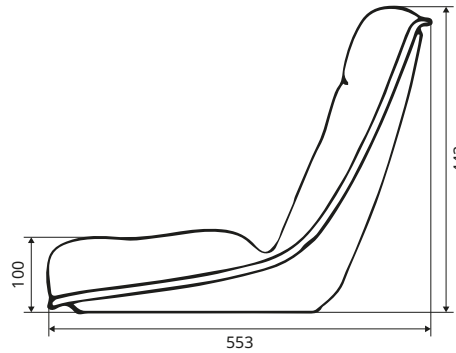
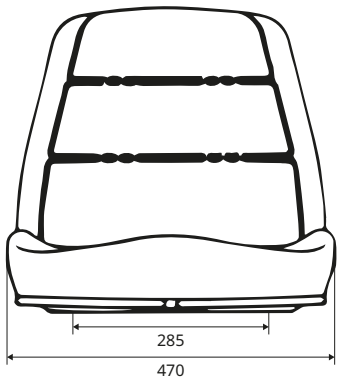
	REF General
Slide rails	144TA5386
Switch	110TA9013
Seat belt bracket	106TA5154
ALR seat belt (black)	106TA5149*

*Only as a replacement or in combination with the universal seat belt bracket

TS40



TOTALSOURCE[®]



- Universal seat pan
- Used on Hyster/Yale

COMPLETE SEATS

	REF PVC	REF Fabric
Seat pan (without rail set)	110TA8627	Not available
Seat pan (with rail set)	110TA8629	Not available
Seat pan + switch (with rail set)	128TA4156	Not available

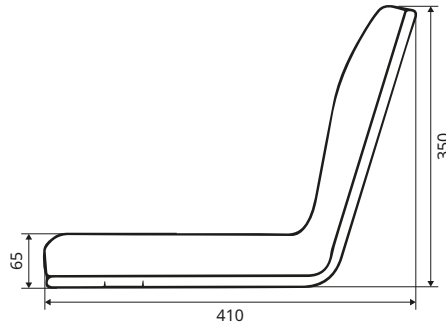
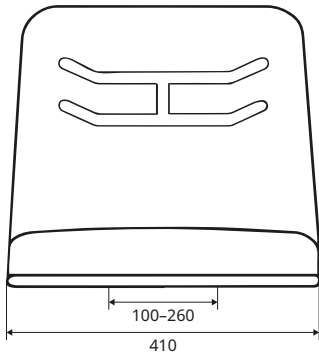
SPARE AND OPTIONAL PARTS

	REF General
Slide rails: 318 mm	144TA5386
Switch	106TA5151

TS50



TOTALSOURCE®



- Universal seat pan with slide rails
- With drain hole

COMPLETE SEATS

	REF PVC	REF Fabric
Seat pan	139TA6094	Not available

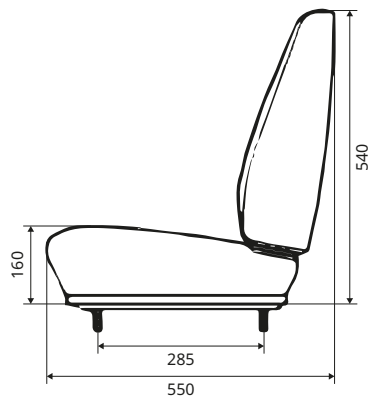
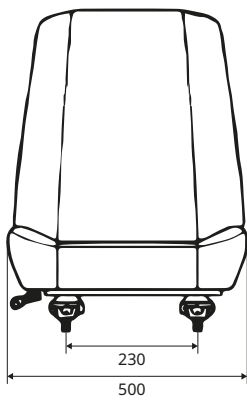
SPARE AND OPTIONAL PARTS

	REF General
Slide rails: 325 mm	147TA5201

TS200



TOTALSOURCE®



- Universal seat pan
- Non-suspended seat top with slide rails
- Used on Toyota and TCM

COMPLETE SEATS

	REF PVC	REF Fabric
Seat	110TA8989	Not available
Seat pan + static seat belt	110TA8990	Not available
Seat + ALR seat belt	110TA8991	Not available

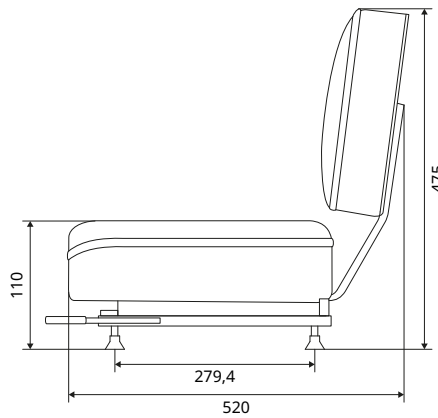
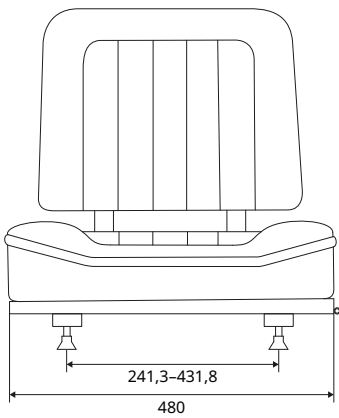
SPARE AND OPTIONAL PARTS

	REF General
Slide rails: 318 mm	144TA5386
Static seat belt (black)	106TA5150
ALR seat belt (black)	105TA4857

TS250



TOTALSOURCE®



- Universal seat pan
- Non-suspended seat top with slide rails

COMPLETE SEATS

	REF PVC	REF Fabric
Seat	145TA2752	Not available

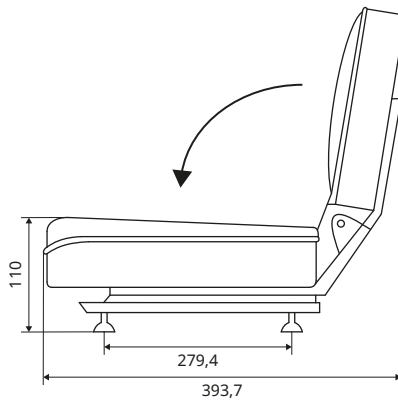
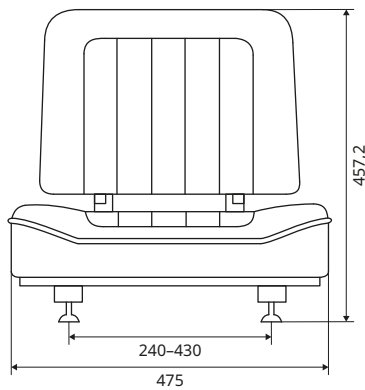
SPARE AND OPTIONAL PARTS

	REF PVC	REF Fabric	REF General
Seat cushion	110TA9005	Not available	
Backrest cushion	110TA9008	Not available	
Slide rails: 318 mm			144TA5386

TS250-F



TOTALSOURCE®



- Universal seat pan
- Non-suspended seat top with slide rails
- Foldable backrest
- Ideal for LPG trucks

COMPLETE SEATS

	REF PVC	REF Fabric
Seat	106TA8608	Not available

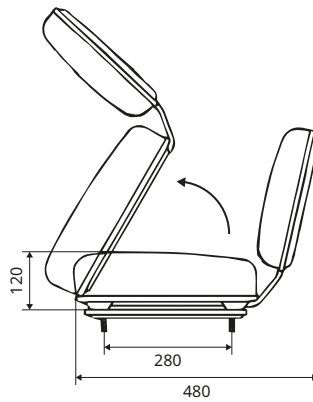
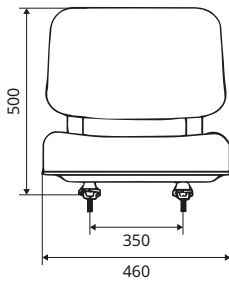
SPARE AND OPTIONAL PARTS

	REF PVC	REF Fabric	REF General
Seat cushion	110TA9005	Not available	
Backrest cushion	110TA9008	Not available	
Slide rails: 318 mm			144TA5386

TS250-T



TOTALSOURCE®



- Universal seat pan
- Non-suspended seat top with slide rails
- Tilt function

COMPLETE SEATS

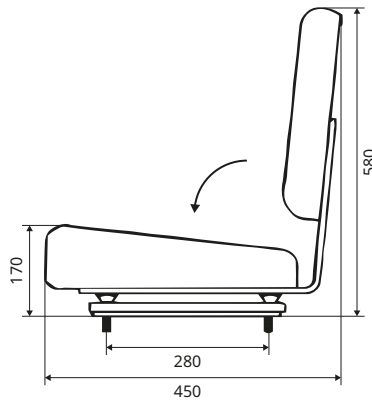
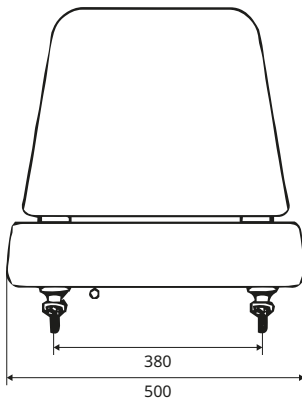
	REF PVC	REF Fabric
Seat	110TA9010	Not available

SPARE AND OPTIONAL PARTS

	REF PVC	REF Fabric	REF General
Seat cushion	110TA9005	Not available	
Backrest cushion	110TA9008	Not available	
Slide rails: 318 mm			144TA5386

All dimensions in mm.

TS250-TF



TOTALSOURCE

- Universal seat pan
- Non-suspended seat top with slide rails
- Tilt function + foldable backrest

COMPLETE SEATS

	REF PVC	REF Fabric
Seat	110TA9011	Not available

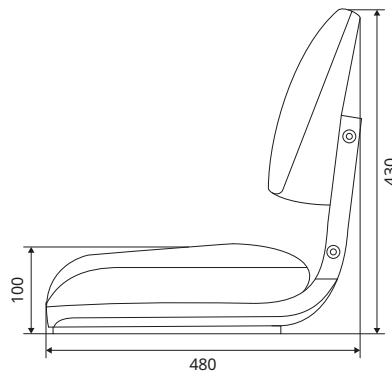
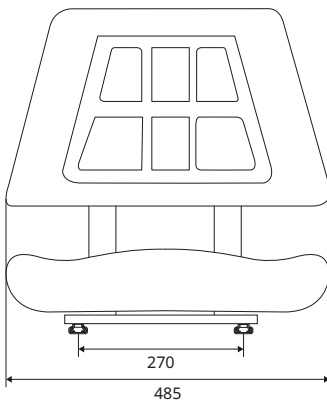
SPARE AND OPTIONAL PARTS

	REF PVC	REF Fabric	REF General
Seat cushion	110TA9005	Not available	
Backrest cushion	110TA9008	Not available	
Slide rails: 318 mm			144TA5386
ALR seat belt (black)			108TA8537

TS300



TOTALSOURCE®



- Universal seat pan
- Non-suspended seat top with slide rails

COMPLETE SEATS

	REF PVC	REF Fabric
Seat	110TA8813	Not available
Seat + switch	106TA8611	Not available
Seat + switch + seat belt	110TA8815	Not available
Seat + seat belt	110TA8814	Not available

SPARE AND OPTIONAL PARTS

	REF PVC	REF Fabric	REF General
Seat cushion	110TA8816	Not available	
Seat cushion + switch	Not available	Not available	
Backrest cushion	110TA8818	Not available	
Slide rails: 360 mm			106TA8624
Seat belt bracket			106TA5154
ALR seat belt (black)*			106TA5147

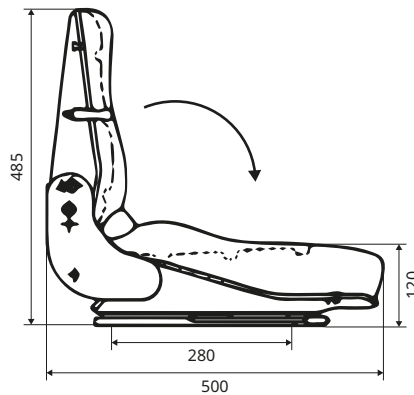
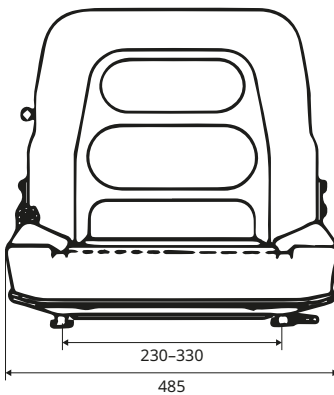
*Only as a replacement or in combination with the universal seat belt bracket

All dimensions in mm.

ES 10 ECO



TOTALSOURCE®



- Universal non-suspended seat top with foldable backrest
- Ideal for LPG trucks
- Used on Linde/Jungheinrich

COMPLETE SEATS

	REF PVC	REF Fabric
Seat	139TA4477	
Seat + switch	139TA4686	140TA8268
Seat + switch + seat belt (without slide rails)	Not available	165TA8664
Seat + switch + seat belt (with slide rails)	110TA8783	
Seat + seat belt	139TA4478	

SPARE AND OPTIONAL PARTS

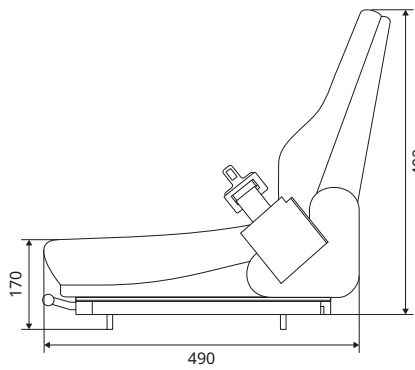
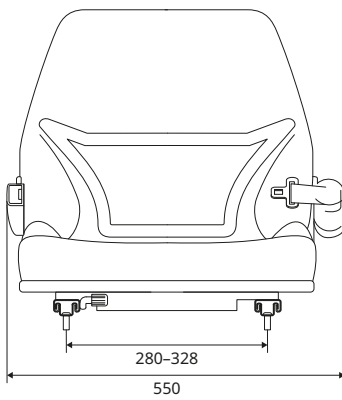
	REF PVC	REF Fabric	REF General
Seat cushion	152TA1950	110TA8706	
Backrest cushion	110TA8707	110TA8708	
Slide rails: 305 mm			106TA8625
Switch			106TA5151
ALR seat belt (black)			140TA8348

All dimensions in mm.

TS330



TOTALSOURCE®



- Universal non-suspended seat top with seat belt, document holder and slide rails
- Used on Clark

COMPLETE SEATS

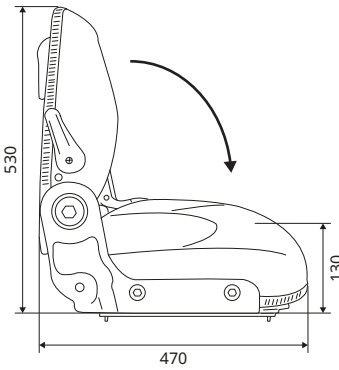
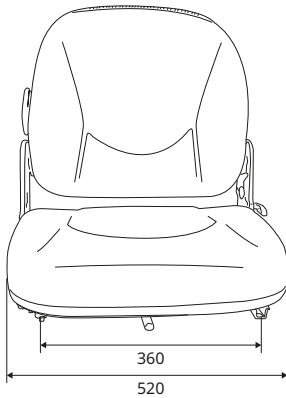
	REF PVC	REF Fabric
Seat + seat belt + document holder	136TA1185	Not available

SPARE AND OPTIONAL PARTS

	REF PVC	REF Fabric	REF General
Seat cushion	145TA2753	Not available	
Backrest cushion	140TA1723	Not available	
Slide rails LH: 357 mm			145TA2755
Slide rails: RH 357 mm			145TA2754
Document holder			145TA2757
ALR seat belt (black)			144TA8794

All dimensions in mm.

TS350



TOTALSOURCE®

- Universal non-suspended seat top with foldable backrest, document pouch and slide rails
- Ideal for LPG trucks
- Used on Doosan

COMPLETE SEATS

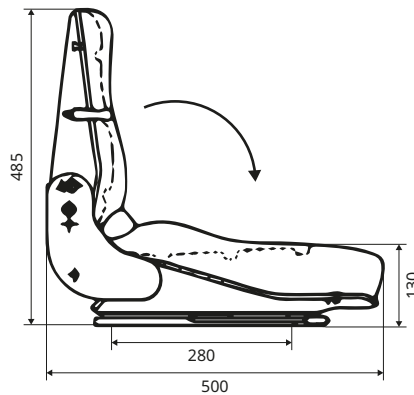
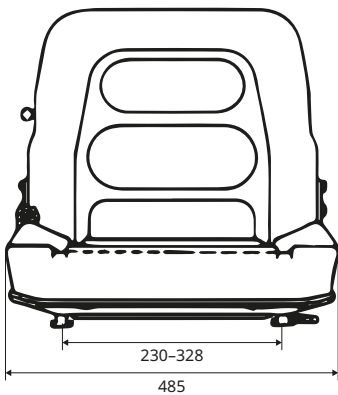
	REF PVC	REF Fabric
Seat + switch + document holder	126TA6070	Not available
Seat + switch + document holder + seat belt	128TA4254	

SPARE AND OPTIONAL PARTS

	REF PVC	REF Fabric	REF General
Seat cushion	128TA4255	Not available	
Backrest cushion	128TA4256	Not available	
Slide rails: 320 mm			139TA6009
Switch			106TA5151
ALR seat belt (black)			106TA5147

All dimensions in mm.

ES 12 ECO



TOTALSOURCE®

- Universal forklift seat with slide rails
- Semi-suspended seat
- 3 step weight adjustment
- Adjustable back
- Not for intensive use!

COMPLETE SEATS

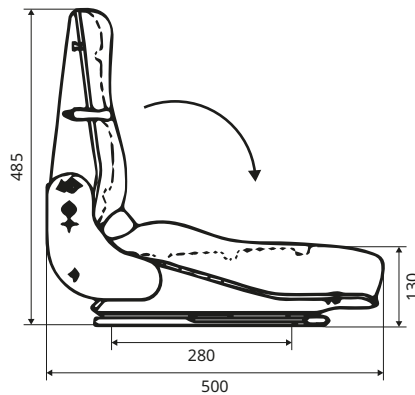
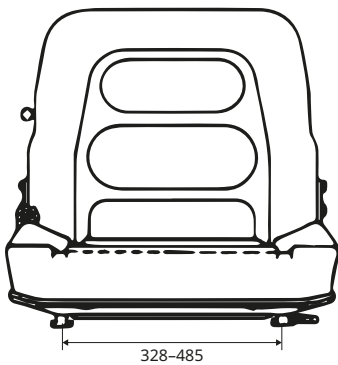
	REF PVC	REF Fabric
Seat ECO	131TA2739	Not available
Seat ECO + switch	131TA2740	123TA7575
Seat ECO + switch + seat belt	129TA8910	123TA7577
Seat ECO + seat belt	129TA8909	123TA7576

SPARE AND OPTIONAL PARTS

	REF PVC	REF Fabric	REF General
Eco seat cushion	122TA7479	123TA7578	
ECO seat cushion + switch	122TA7480	123TA7579	
ECO backrest cushion	122TA7481	166TA8787	
Slide rails: 305 mm			106TA8625
Armrest kit			110TA8769
ALR seat belt (black)			140TA8348

All dimensions in mm.

ES 12 HD



TOTALSOURCE®

- Universal forklift seat with slide rails
- Semi-suspended seat
- Adjustable back
- 3 step weight adjustment

COMPLETE SEATS

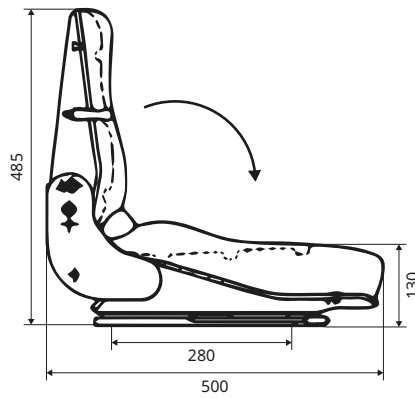
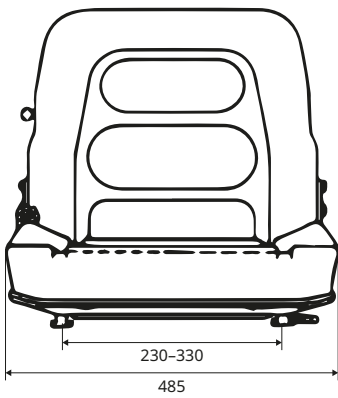
	REF PVC	REF Fabric
HD seat	119TA8975	123TA7574
HD seat + switch	139TA6015	123TA7575
HD seat + switch + seat belt	122TA7478	123TA7577
Seat + switch + armrests + seat belt	145TA2759	
HD Seat + seat belt	122TA7477	123TA7576

SPARE AND OPTIONAL PARTS

	REF PVC	REF Fabric	REF General
HD seat cushion	107TA5258	110TA8743	
HD seat cushion + switch	110TA8744	123TA7579	
HD backrest cushion	106TA8630	139TA6016	
Slide rails: 305 mm			106TA8625
Armrest kit			110TA8769
ALR seat belt (black)			140TA8348

All dimensions in mm.

ES12 HD-F



TOTALSOURCE®

- Semi-suspended seat with foldable backrest and slide rails
- 3 step weight adjustment
- Universal forklift seat
- Ideal for LPG trucks

COMPLETE SEATS

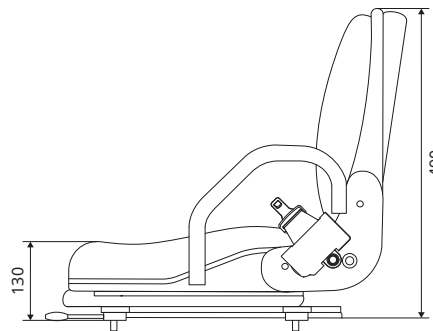
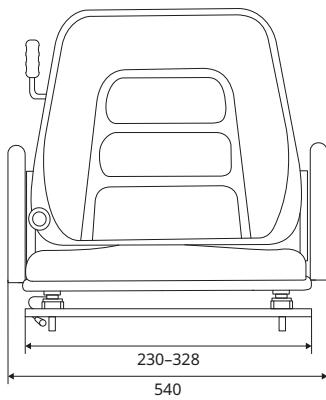
	REF PVC	REF Fabric
HD seat	106TA8622	110TA8773
HD seat + switch	110TA8771	110TA8772
HD seat + switch + seat belt	144TA5389	
HD Seat + seat belt	111TA4092	139TA6020

SPARE AND OPTIONAL PARTS

	REF PVC	REF Fabric	REF General
HD seat cushion	107TA5258		
HD seat cushion + switch	110TA8744	123TA7579	
HD backrest cushion	106TA8630	139TA6016	
Slide rails: 305 mm			106TA8625
ALR seat belt (black)			106TA5149

All dimensions in mm.

ES12 HD SH



TOTALSOURCE®

- Specific seat with document pouch, hip guards and slide rails
- Used on Daewoo/Doosan

COMPLETE SEATS

	REF PVC	REF Fabric
Seat + seat belt + switch + lumbar support + document holder	145TA2760	152TA1951

SPARE AND OPTIONAL PARTS

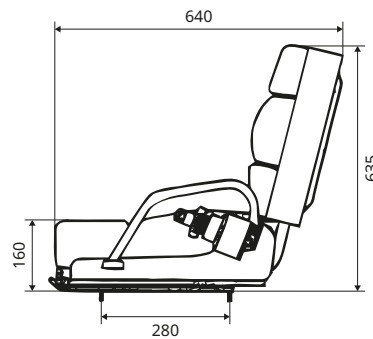
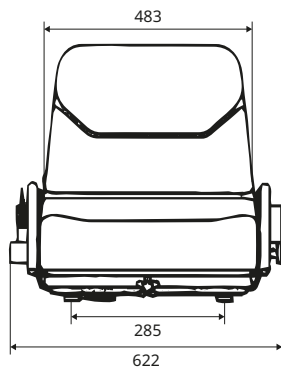
	REF PVC	REF Fabric	REF General
HD seat cushion	107TA5258	110TA8743	
HD seat cushion + switch	110TA8744	123TA7579	
HD backrest cushion	106TA8630	139TA6016	
Slide rails: 305 mm			106TA8625
Hip restraints			128TA4175
Document holder			107TA7952
ALR seat belt (black)			105TA4857

All dimensions in mm.

TS1200



TOTALSOURCE®



- Universal forklift seat with seat belt, document pouch and slide rails
- Mechanical suspension
- Weight adjustment: 50-120 kg
- Used on Hyster

COMPLETE SEATS

	REF PVC	REF Fabric
Seat + document holder + seat belt	110TA8853	Not available
Seat + switch + document holder + seat belt	110TA8854	Not available

SPARE AND OPTIONAL PARTS

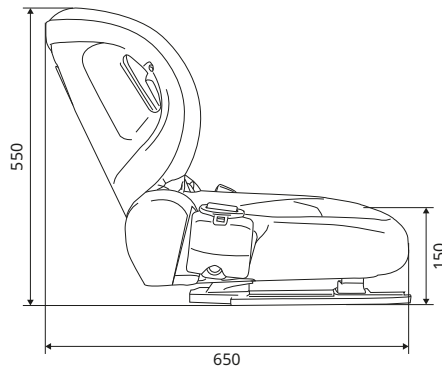
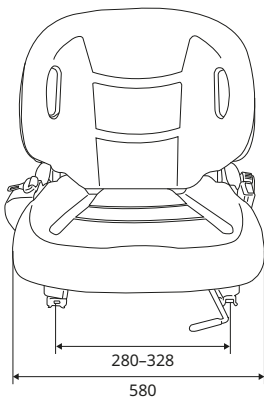
	REF PVC	REF Fabric	REF General
Seat cushion	110TA8855	Not available	
Seat cushion + bracket + mounting parts (clips) + rod	128TA4185	On request	
Seat cushion + bracket + mounting parts (clips) (without rod)	128TA4186	On request	
Backrest cushion	145TA2761	Not available	
Slide rails: 318 mm			144TA5386
Switch			110TA8856
ALR seat belt (black)			105TA4857

All dimensions in mm.

WINGBACK NON SUSPENDED



TOTALSOURCE®



- Universal forklift seat with seat belt and switch (OPS)
- Non-suspended seat
- Used on Toyota

COMPLETE SEATS

	REF PVC	REF Fabric
Seat + seat belt + switch + document holder	131TA4894	Not available

SPARE AND OPTIONAL PARTS

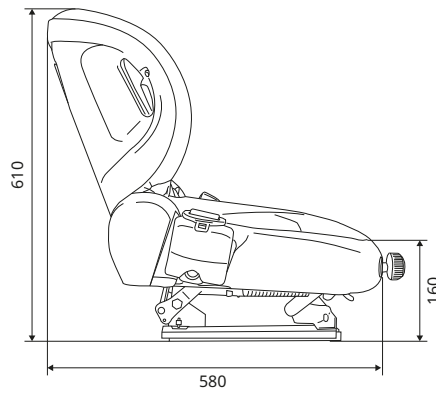
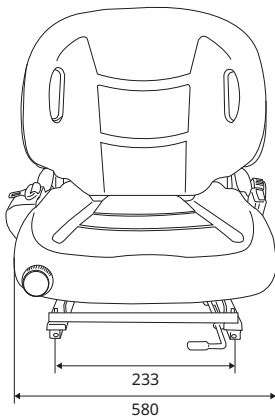
	REF PVC	REF Fabric	REF General
Seat cushion + switch	139TA6005	Not available	
Backrest cushion	139TA6006	Not available	
Slide rails: 320 mm			139TA6009
Switch			139TA6007
ALR seat belt (orange)			143TA7594
ALR seat belt (black)			140TA8348

All dimensions in mm.

WINGBACK MECHANICAL SUSPENSION



TOTALSOURCE®



- Universal forklift seat with seat belt, switch (OPS) and slide rails
- Mechanical suspension
- Weight adjustment: 40-120 kg
- Used on Toyota

COMPLETE SEATS

	REF PVC	REF Fabric
Seat + seat belt (orange) + switch	165TA8665	
Seat + seat belt + switch + document holder	136TA1247	Not available

SPARE AND OPTIONAL PARTS

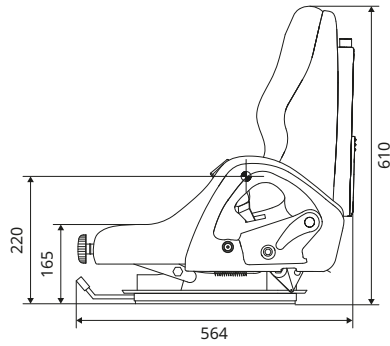
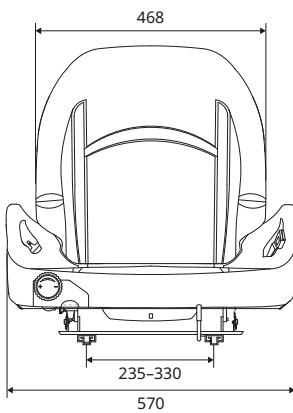
	REF PVC	REF Fabric	REF General
Seat cushion + switch	139TA6005	Not available	
Backrest cushion	139TA6006	Not available	
Slide rails: 320 mm			139TA6009
Switch			139TA6007
ALR seat belt (black)			Not available

All dimensions in mm.

WINGBACK NEXT GENERATION



TOTALSOURCE®



- Universal forklift seat with seat belt, switch (OPS), hip guard and slide rails
- Mechanical suspension
- Weight adjustment: 40–120 kg
- Used on TCM/Komatsu/Mitsubishi/Nissan

COMPLETE SEATS

	REF PVC	REF Fabric
Seat + seat belt + switch + document holder	136TA1246	Not available

SPARE AND OPTIONAL PARTS

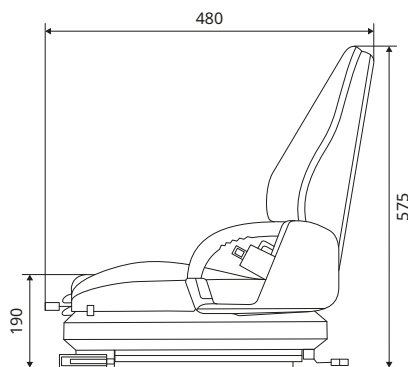
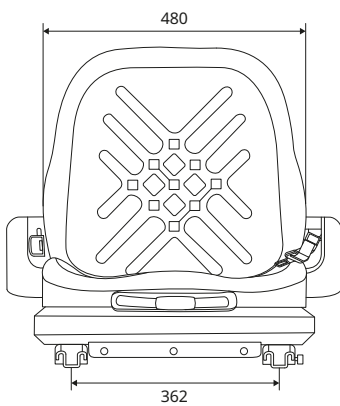
	REF PVC	REF Fabric	REF General
Seat cushion	139TA6011	Not available	
Backrest cushion	139TA6012	Not available	
Slide rails: 320 mm			166TA6024
Switch			139TA6007
ALR seat belt (black)			139TA6013

All dimensions in mm.

TS240



TOTALSOURCE®



- Universal forklift seat with seat belt, switch (OPS), hip guard and slide rails
- Mechanical suspension
- Weight adjustment: 50-110 kg
- Used on Doosan

COMPLETE SEATS

	REF PVC	REF Fabric
Seat + seat belt + switch	144TA5390	Not available
Seat + seat belt + switch + armrests + document holder	147TA5200	Not available

SPARE AND OPTIONAL PARTS

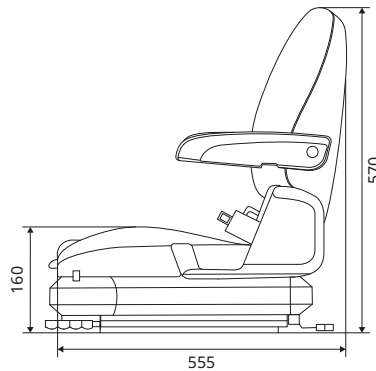
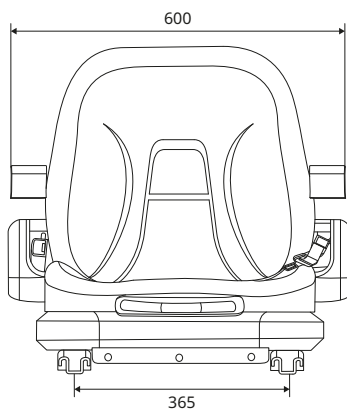
	REF PVC	REF Fabric	REF General
Seat cushion	144TA5391	Not available	
Backrest cushion	144TA5412	Not available	
Slide rails: 320 mm			144TA5414
Switch			144TA5413
ALR seat belt (black) + switch			165TA8666
ALR seat belt (black) + switch			140TA1731
ALR seat belt (black)			145TA2785

All dimensions in mm.

T585



TOTALSOURCE®



- Universal forklift seat with seat belt, switch (OPS) and slide rails
- Mechanical suspension
- Weight adjustment: 40–120 kg
- Used on Doosan

COMPLETE SEATS

	REF
Seat + seat belt + switch + document holder	PVC
Seat + seat belt + switch + armrests + document holder	On request
	145TA2786

SPARE AND OPTIONAL PARTS

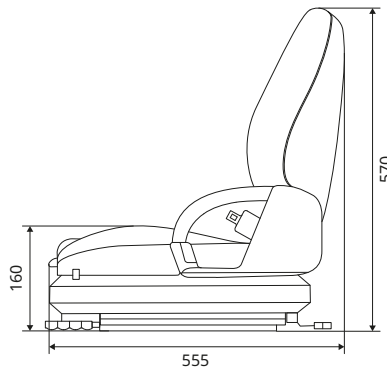
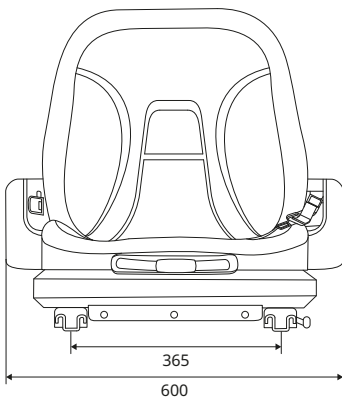
	REF	REF
Seat cushion	PVC	General
Backrest cushion	140TA1727	
Slide rails: 327 mm	145TA2787	145TA2788
Switch		110TA9013
Armrest LH		147TA5202
ALR seat belt (black) + switch		140TA1731

All dimensions in mm.

T586



TOTALSOURCE®



- Universal forklift seat with seat belt, switch (OPS), hipguards and slide rails
- Mechanical suspension
- Weight adjustment: 40-120 kg
- Used on Doosan

COMPLETE SEATS

	REF PVC	REF Fabric
Seat + seat belt + switch + document holder	139TA6080	140TA1726

SPARE AND OPTIONAL PARTS

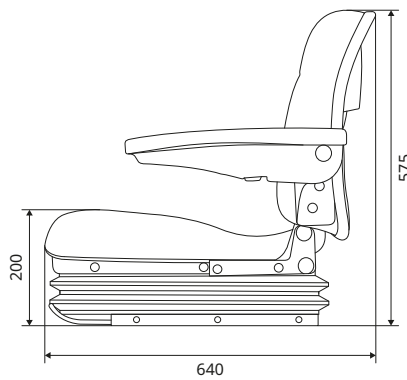
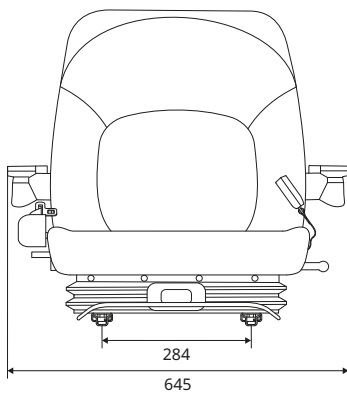
	REF PVC	REF Fabric	REF General
Seat cushion	140TA1727	140TA1728	
Backrest cushion	145TA2787	140TA1730	
Slide rails: 327 mm			145TA2788
Switch			110TA9013
ALR seat belt (black) + switch			140TA1731

All dimensions in mm.

ES29



TOTALSOURCE®



- Universal forklift seat with seat belt, armrests and slide rails
- Mechanical suspension
- Weight adjustment: 50–130 kg
- Used on Hyundai

COMPLETE SEATS

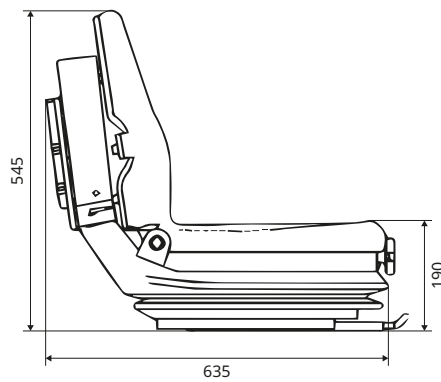
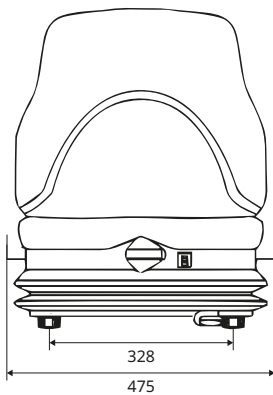
	REF PVC	REF Fabric
Seat + seat belt + armrests + document holders	145TA2789	Not available
Seat + seat belt + switch + armrests + document holder	145TA2790	Not available

SPARE AND OPTIONAL PARTS

	REF PVC	REF Fabric	REF General
Seat cushion	145TA2791	Not available	
Backrest cushion	145TA2792	Not available	
Switch			106TA5151
ALR seat belt (black)			105TA4857

All dimensions in mm.

TECHNICO



TOTALSOURCE®

- Universal forklift seat with slide rails
- Mechanical suspension
- Weight adjustment: 50-130 kg
- Used on Mitsubishi

COMPLETE SEATS

	REF PVC	REF Fabric
Seat	110TA8799	166TA8788
Seat + switch	123TA7555	111TA4094
Seat + switch + seat belt	110TA8804	110TA8805
Seat + document holder	110TA8799	On request
Seat + document holder + seat belt	110TA8803	On request

SPARE AND OPTIONAL PARTS

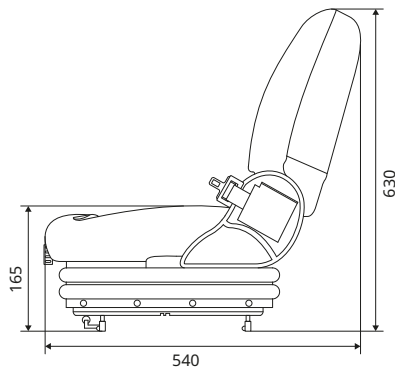
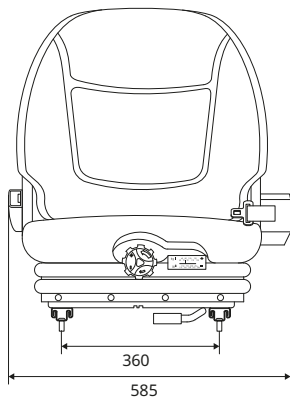
	REF PVC	REF Fabric	REF General
Seat cushion (black)	123TA7556	129TA7741	
Seat cushion (grey)	144TA3652		
Backrest cushion	123TA7557	129TA7742	
Backrest cushion (grey)	144TA3653		
Slide rails: 325 mm			123TA7559
Switch			128TA4174
Armrest kit			110TA8812
ALR seat belt (black)			108TA8537

All dimensions in mm.

TS87



TOTALSOURCE®



- Universal forklift seat with seat belt, document holder and slide rails
- Mechanical suspension
- Weight adjustment: 50–130 kg
- Used on Clark

COMPLETE SEATS

	REF PVC
Seat + switch	165TA9412
Seat + document holder + seat belt	139TA6079

SPARE AND OPTIONAL PARTS

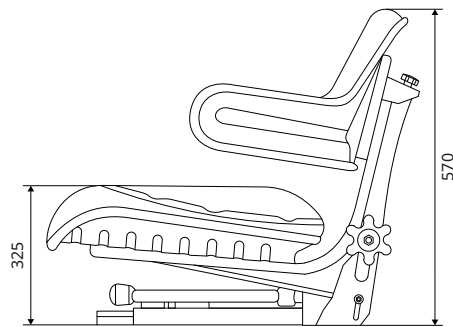
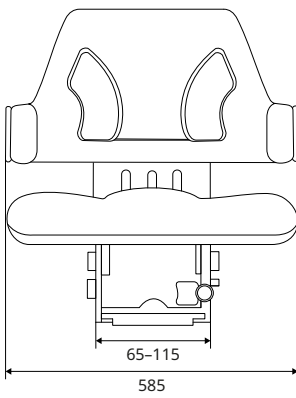
	REF PVC	REF Fabric	REF General
Seat cushion	140TA1724	145TA2817	
Backrest cushion	Not available	145TA2818	
Slide rails: LH 357 mm (with lever)			145TA2815
Slide rails: RH 357 mm (without lever)			145TA2754
Switch			145TA2814
ALR seat belt (black)			144TA8794

All dimensions in mm.

TS303



TOTALSOURCE®



- Universal forklift seat
- Mechanical suspension
- Weight adjustment: 50-120 kg

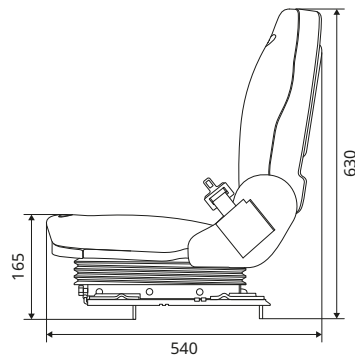
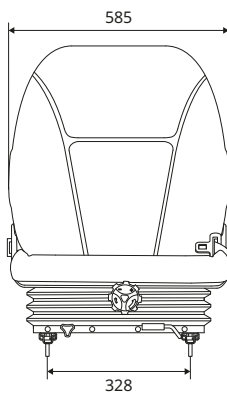
COMPLETE SEATS

	REF PVC	REF Fabric
Seat	145TA2825	Not available

ES32



TOTALSOURCE®



- Universal forklift seat with seat belt, switch (OPS) and slide rails
- Mechanical suspension
- Weight adjustment: 50–130 kg
- Used on Clark

COMPLETE SEATS

	REF PVC	REF Fabric
Seat + switch + seat belt + document holder	145TA2829	Not available

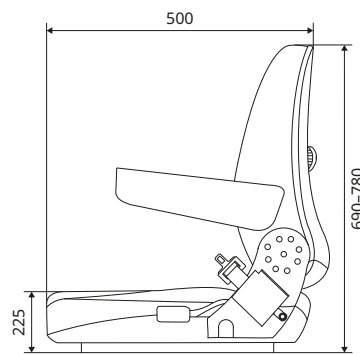
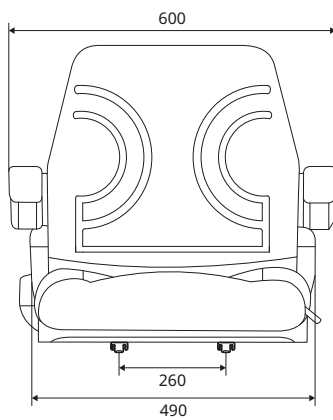
SPARE AND OPTIONAL PARTS

	REF PVC	REF Fabric	REF General
Seat cushion	145TA2830	Not available	
Backrest cushion	145TA2831	Not available	
ELR LH seat belt (black)			144TA6914

ES33



TOTALSOURCE®



- Universal forklift seat with seat belt, switch (OPS) and slide rails
- Mechanical suspension
- Weight adjustment: 50-130 kg

COMPLETE SEATS

	REF PVC	REF Fabric
Seat + seat belt + switch	145TA2832	Not available

SPARE AND OPTIONAL PARTS

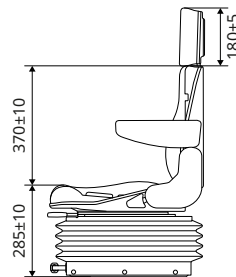
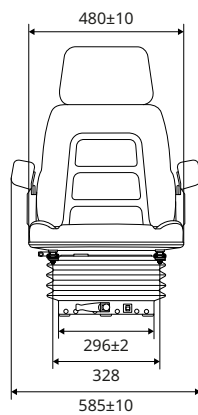
	REF PVC	REF Fabric	REF General
Seat cushion	145TA2833	Not available	
Backrest cushion	145TA2834	Not available	
Switch			106TA5151
Armrest			147TA5204
ALR seat belt (black)			106TA5147

All dimensions in mm.

ES85/90



TOTALSOURCE®



- Mechanical suspended seat with foldable back and slide rails
- Weight adjustment: 60–120 kg

COMPLETE SEATS

	REF PVC	REF Fabric
Seat	147TA3001	152TA1952
Seat + switch	110TA8844	152TA1954
Seat + seat belt	147TA3002	152TA1953

SPARE AND OPTIONAL PARTS

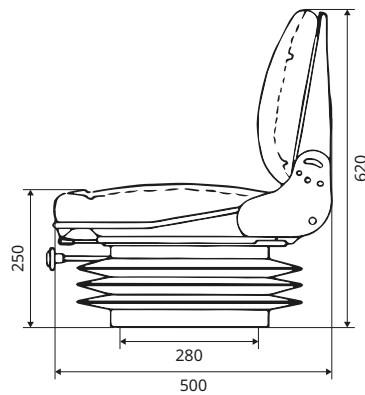
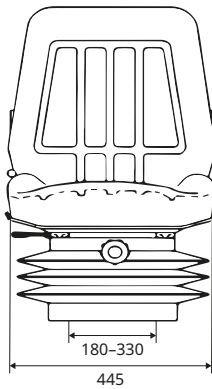
	REF PVC	REF Fabric	REF General
Seat cushion	106TA8627	110TA8794	
Backrest cushion	106TA8629	145TA2835	
Slide rails: 360 mm			106TA8624
Switch			106TA5153
ALR seat belt (black)			106TA5147

All dimensions in mm.

VS85V



TOTALSOURCE®



- Mechanical suspended seat with slide rails
- Weight adjustment: 60-120 kg

COMPLETE SEATS

	REF PVC	REF Fabric
Seat	105TA4616	110TA8786
Seat + switch	110TA8787	110TA8788
Seat + switch + seat belt	110TA8791	110TA8792
Seat + seat belt	110TA8789	110TA8790

SPARE AND OPTIONAL PARTS

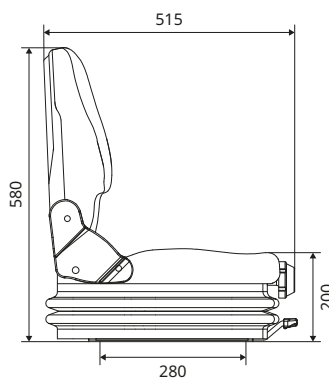
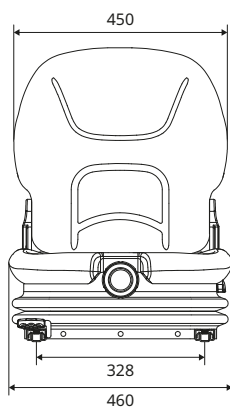
	REF PVC	REF Fabric	REF General
Seat cushion	110TA8793	110TA8794	
Backrest cushion	110TA8795	110TA8796	
Headrest	110TA8797	110TA8798	
Slide rails: 305 mm			106TA8625
Switch			106TA5151
Armrest kit			123TA7538
ALR seat belt (black)			106TA5147

All dimensions in mm.

ES2300L



TOTALSOURCE®



- Universal forklift seat with seat belt, switch (OPS) and slide rails
- Mechanical suspension
- Weight adjustment: 50–120 kg

COMPLETE SEATS

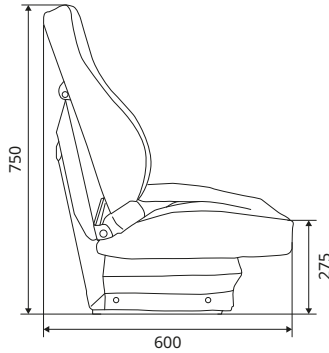
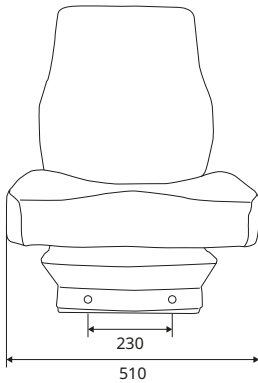
	REF PVC	REF Fabric
Seat + switch + seat belt	136TA1181	166TA8792
Seat + switch	On request	166TA8791

SPARE AND OPTIONAL PARTS

	REF PVC	REF Fabric	REF General
Seat cushion	144TA8792	166TA8790	
Backrest cushion	144TA8793	166TA8789	
Headrest			144TA8796
Switch			144TA8792
ALR seat belt (black)			144TA8794

All dimensions in mm.

TS136



TOTALSOURCE®

- Universal seat
- Mechanical suspension
- Weight adjustment: 60-130 kg
- Used on Manitou

COMPLETE SEATS

	REF PVC	REF Fabric
Seat + switch	144TA3680	On request
Seat + switch + seat belt	141TA1590	144TA3681
Seat + seat belt	139TA6105	On request

SPARE AND OPTIONAL PARTS

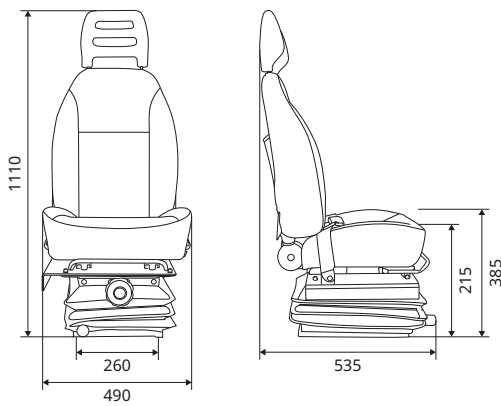
	REF PVC	REF Fabric	REF General
Seat cushion	140TA1741	140TA1742	
Seat cushion + switch	140TA8740		
Backrest cushion	140TA1743	140TA1744	
Slide rails			144TA3682
Static seat belt (black)			152TA4204

All dimensions in mm.

TS345



TOTALSOURCE®



- Universal seat
- Mechanical suspension
- Weight adjustment: 50-150 kg

COMPLETE SEATS

	REF PVC	REF Fabric
Seat + head rest + switch + seat belt	166TA8781	166TA6026

SPARE AND OPTIONAL PARTS

	REF PVC	REF Fabric	REF General
Seat cushion	On request	166TA7051	
Backrest cushion	On request	On request	
Headrest	On request	On request	
Slide rails			On request
Switch			139TA6494
Static seat belt (black)			152TA4204

All dimensions in mm.